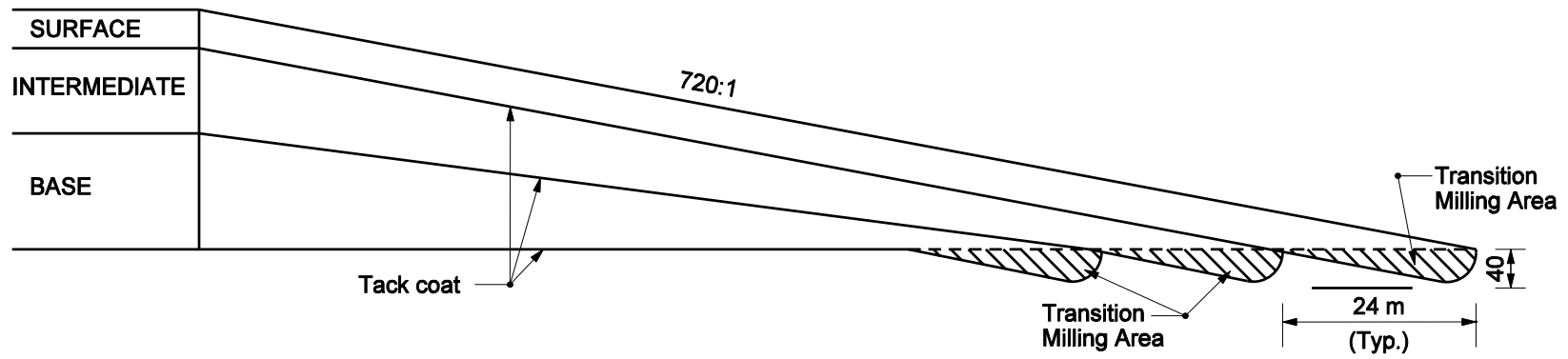


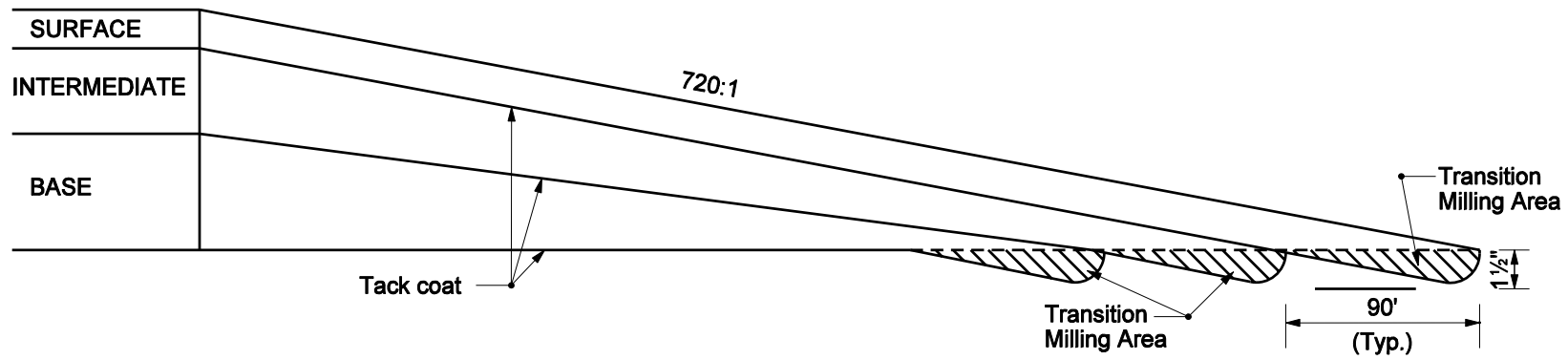
306-R-524d



All Dimension are in mm unless otherwise specified
INDIANA DEPARTMENT OF TRANSPORTATION
HMA-PAVEMENT WEDGING
AND TRANSITION MILLING

6-15-06

E 306-R-524d



INDIANA DEPARTMENT OF TRANSPORTATION
HMA-PAVEMENT WEDGING
AND TRANSITION MILLING

6-15-06