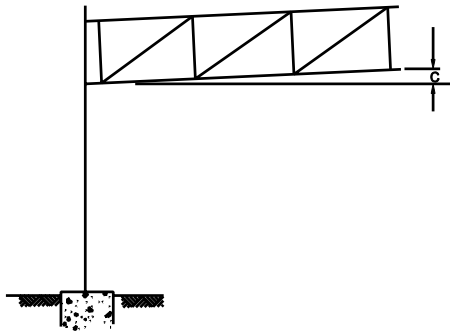
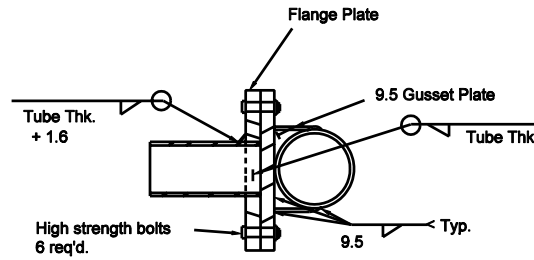


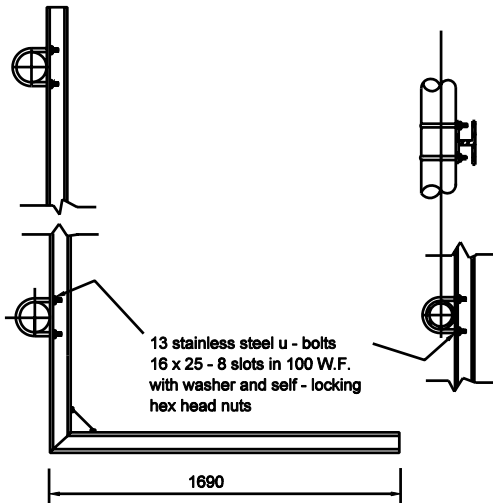
802-SNOC-02



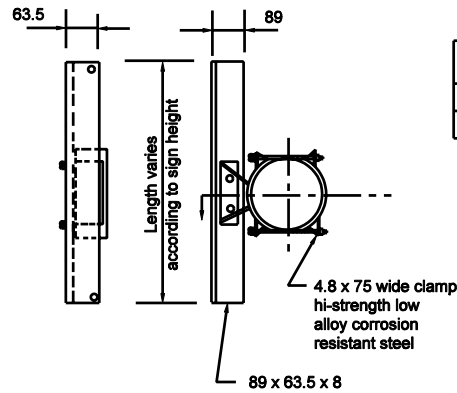
CAMBER FOR CANTILEVER



CANTILEVER ARM ATTACHMENT



WALKWAY SUPPORT BRACKET



SINGLE MASTARM
SIGN BRACKET ASSEMBLY

ARM FLANGE PLATE TIGHTENING
POLE AND ARM PLATE BOLTS TENSION TABLE

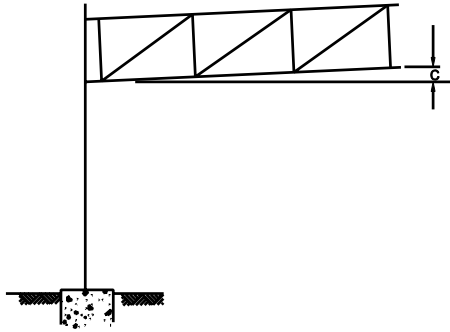
BOLT SIZE	TENSION (KN)
M36	262
M48	467

All Dimension are in mm unless otherwise specified

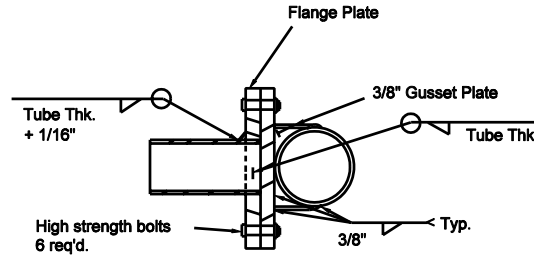
INDIANA DEPARTMENT OF TRANSPORTATION

OVERHEAD CANTILEVER
SIGN DETAILS

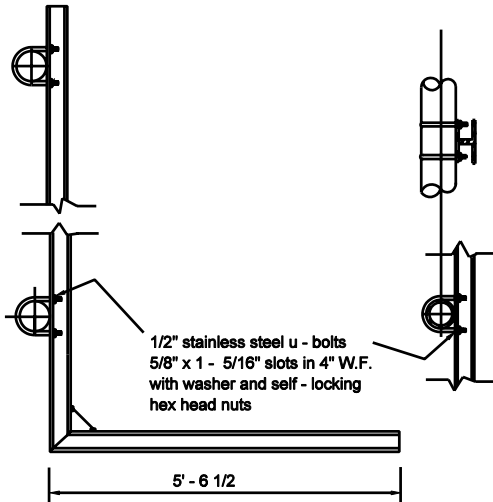
E 802-SNOC-02



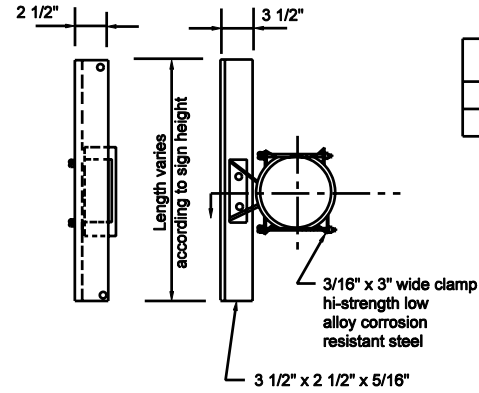
CAMBER FOR CANTILEVER



CANTILEVER ARM ATTACHMENT



WALKWAY SUPPORT BRACKET



SINGLE MASTARM
SIGN BRACKET ASSEMBLY

ARM FLANGE PLATE TIGHTENING
POLE AND ARM PLATE BOLTS TENSION TABLE

BOLT SIZE (INCH)	TENSION (KIPS)
1.5	59
2	105

INDIANA DEPARTMENT OF TRANSPORTATION

OVERHEAD CANTILEVER
SIGN DETAILS