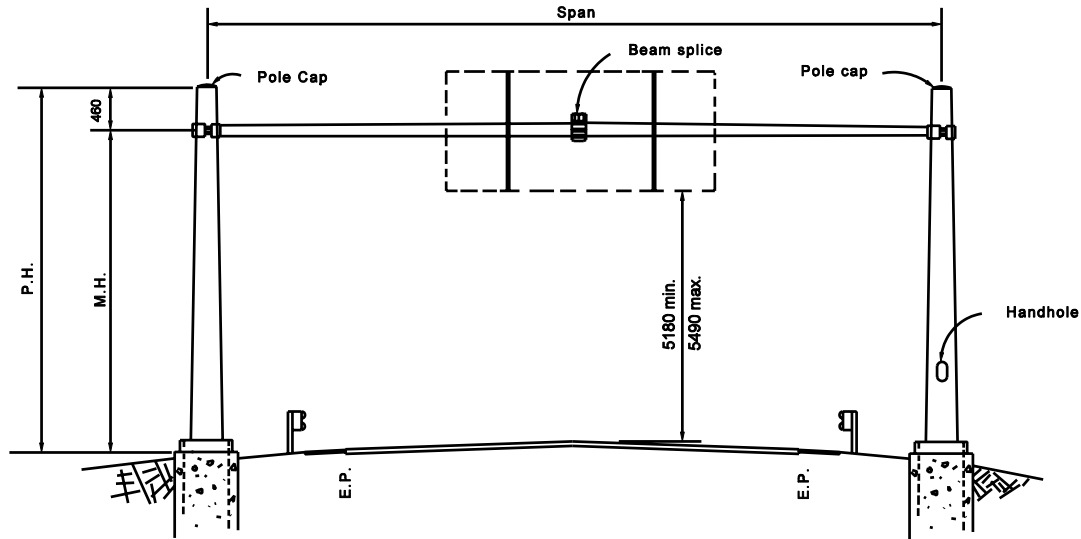
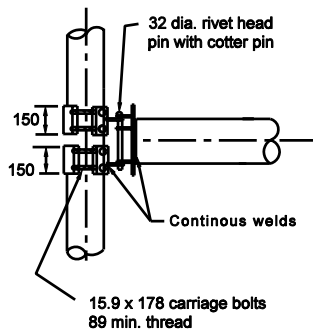


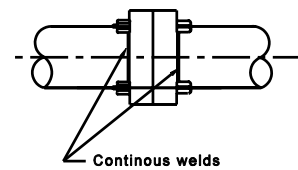
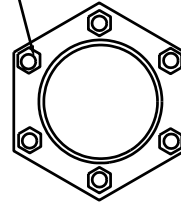
802-SNOB-01



OVERHEAD BRIDGE



32 x 100 length
hi - tensile hex hd. bolts
70 thread length
6 bolts req'd. for
spans over 15620



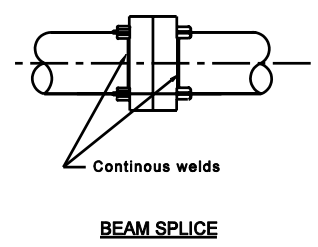
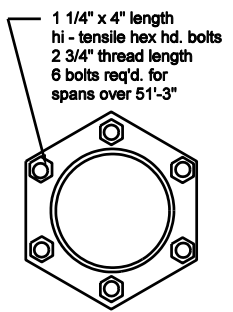
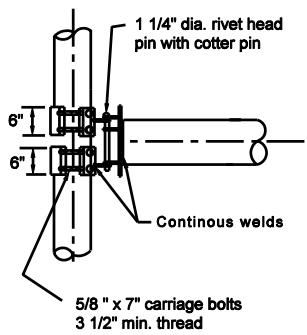
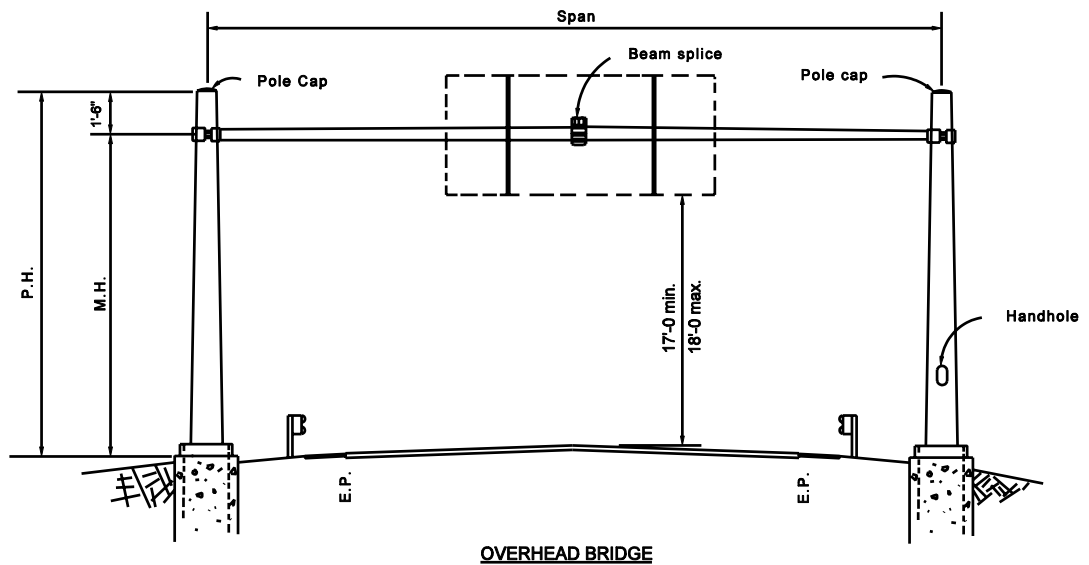
BEAM SPLICE

All Dimension are in mm unless otherwise specified

INDIANA DEPARTMENT OF TRANSPORTATION

OVERHEAD SIGN BRIDGE SPANS

E 802-SNOB-01



INDIANA DEPARTMENT OF TRANSPORTATION
OVERHEAD SIGN BRIDGE SPANS