

SIGN PLACEMENT
Double Support Sign (Large)

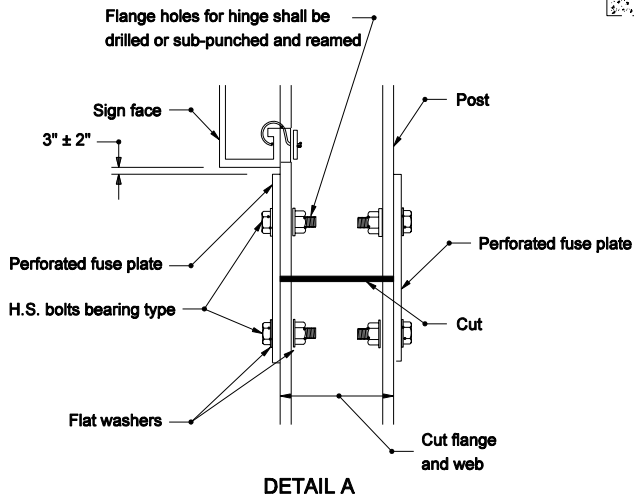
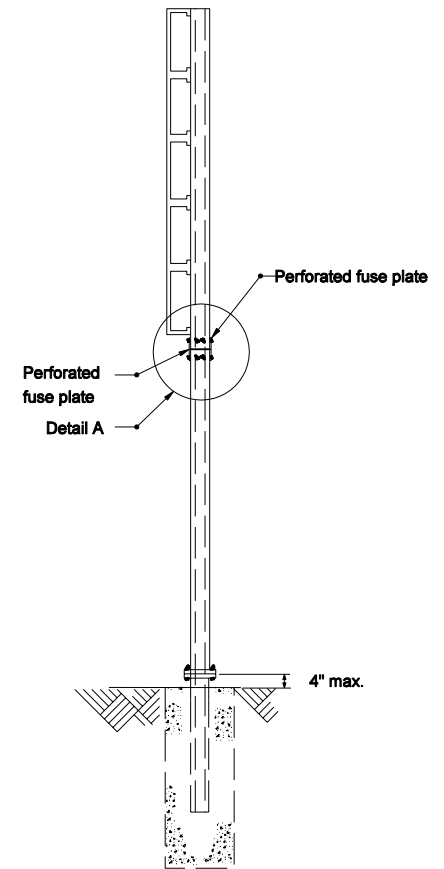
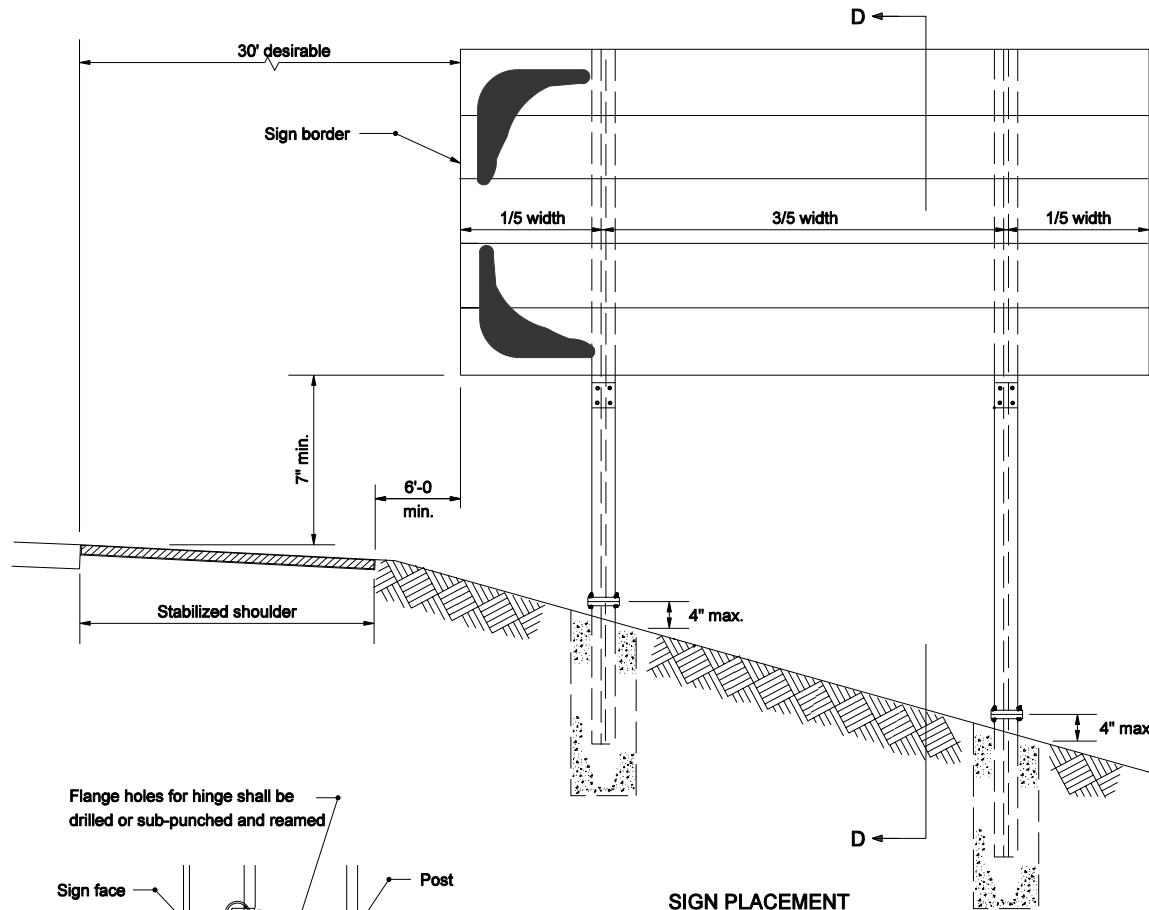
NOTES:

1. No more than one W250 x 28 or larger post can be used in a 2130 path. No more than two W200 x 27 or smaller posts can be used in a 2130. path.
2. For 3 post installation, the edge of sign to post is 1/6 width of sign and 1/3 width of sign between posts.
3. See 802-SNGP-04 for base plate details.

All Dimension are in mm unless otherwise specified

INDIANA DEPARTMENT OF TRANSPORTATION

SIGN PLACEMENT



SIGN PLACEMENT
Double Support Sign (Large)

NOTES:

1. No more than one W10 x 19 or larger post can be used in a 7 ft. path. No more than two W8 x 18 or smaller posts can be used in a 7 ft. path.
2. For 3 post installation, the edge of sign to post is 1/5 width of sign and 1/3 width of sign between posts.
3. See E 802-SNGP-04 for base plate details.