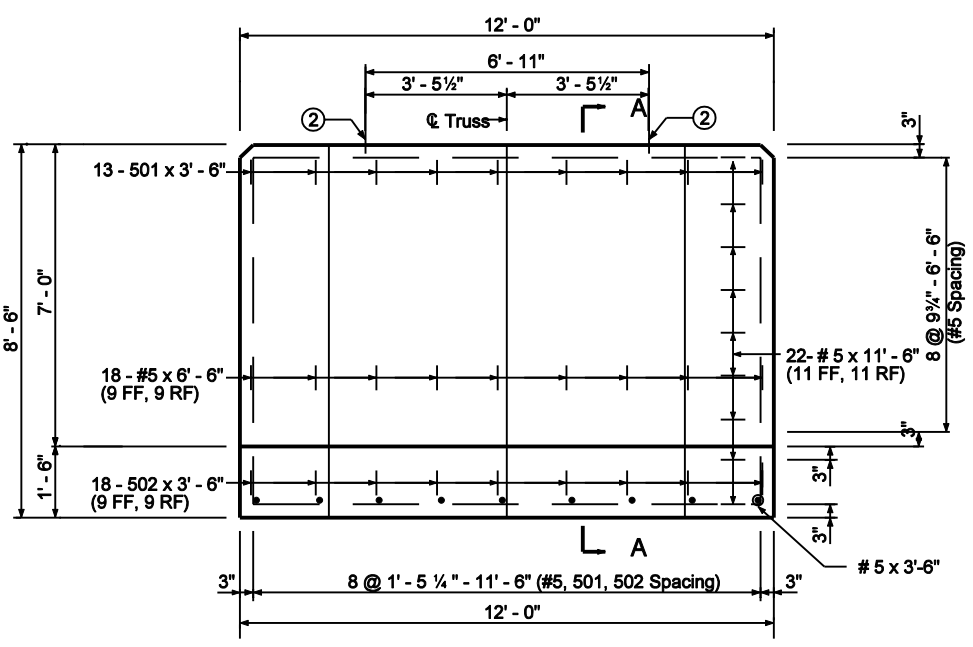
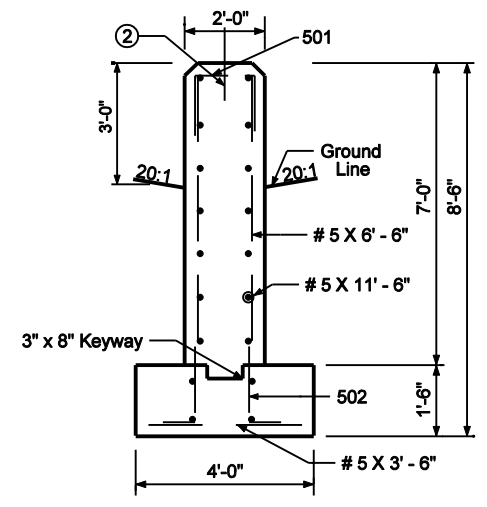


PLAN



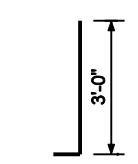
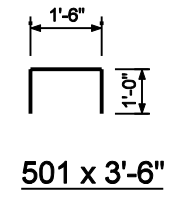
ELEVATION

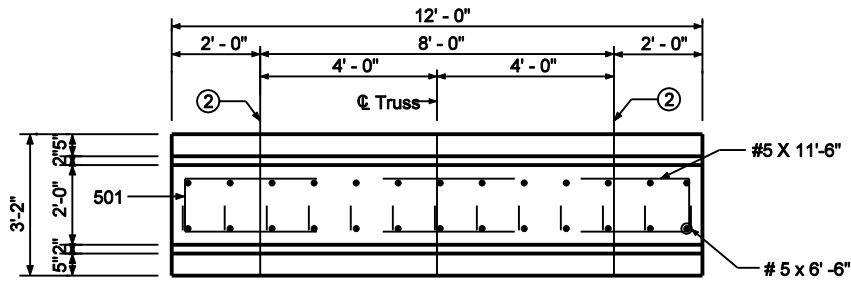


SECTION A-A

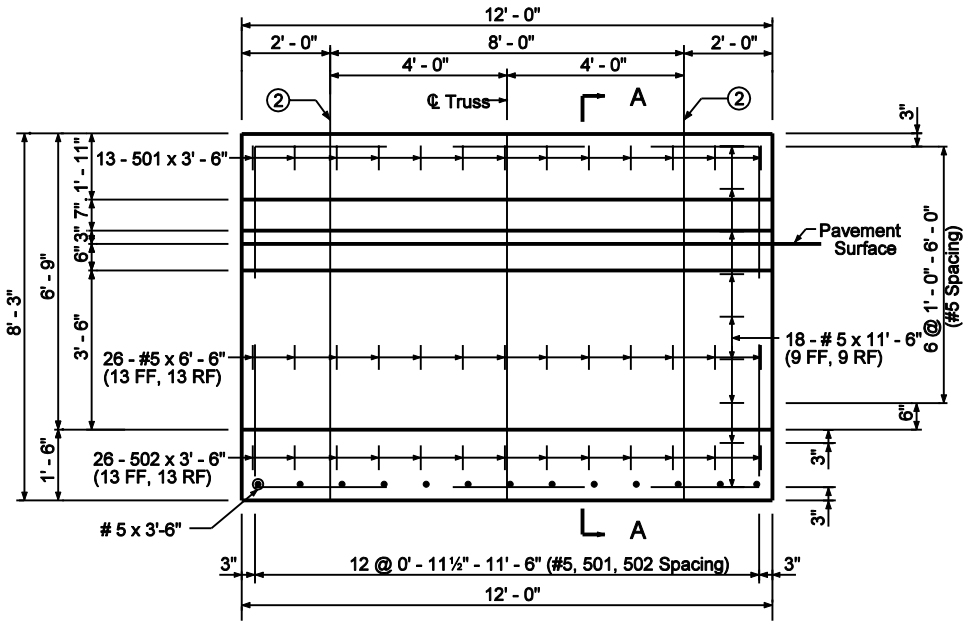
Notes:

1. For barrier wall width transition see Standard Drawing E 602-CCMB-03.
2. Ⓜ Anchor Bolt.

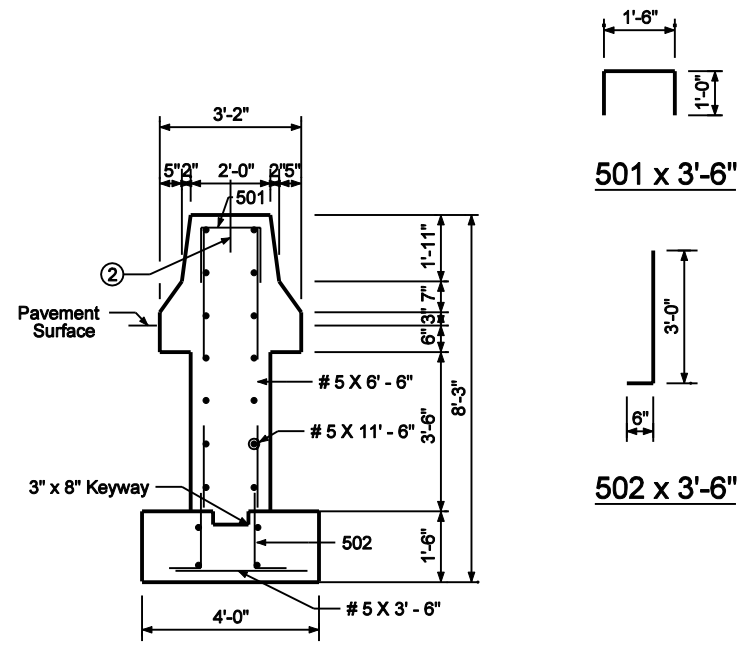




PLAN



ELEVATION

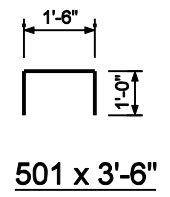


SECTION A-A

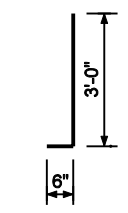
Notes:

1. For barrier wall width transition see Standard Drawing E 602-CCMB-03.

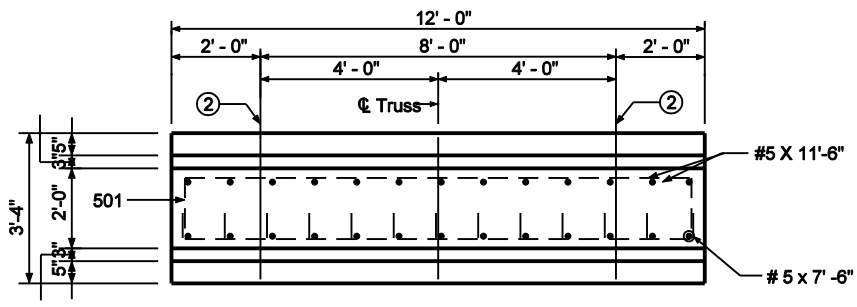
② \varnothing Anchor Bolt.



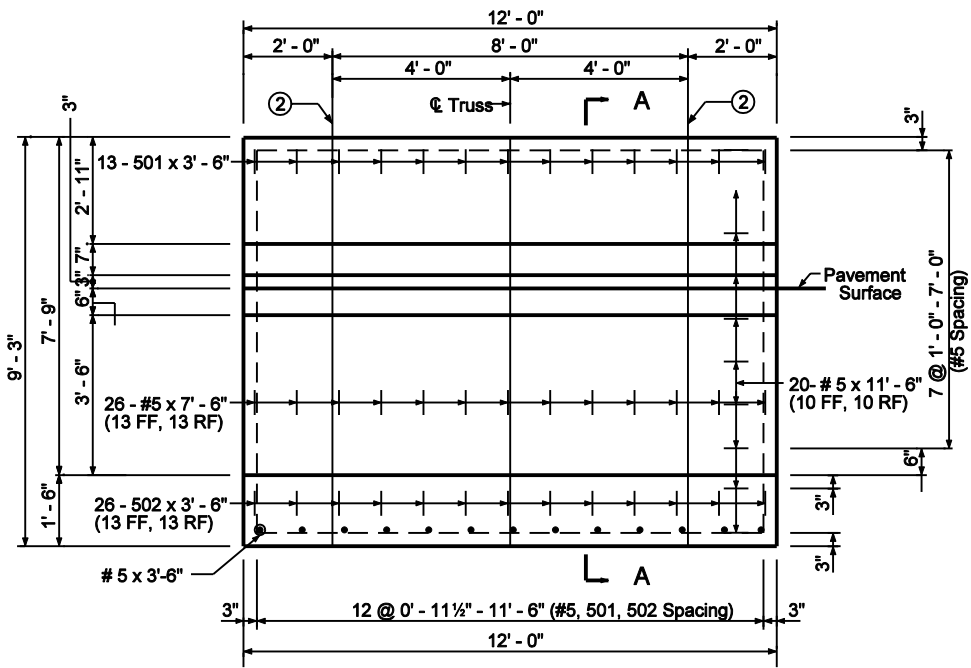
501 x 3'-6"



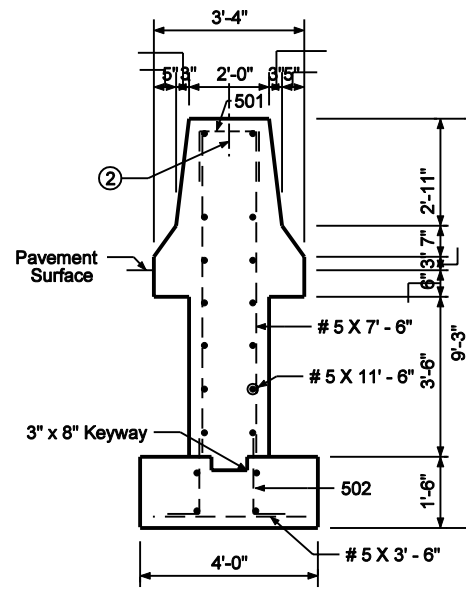
502 x 3'-6"



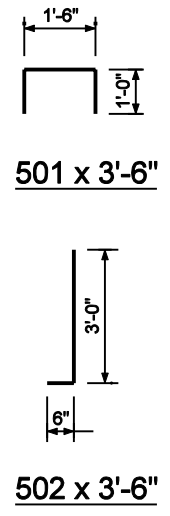
PLAN



ELEVATION



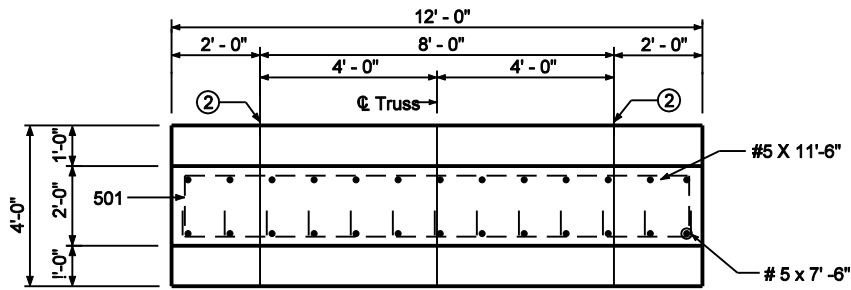
SECTION A-A



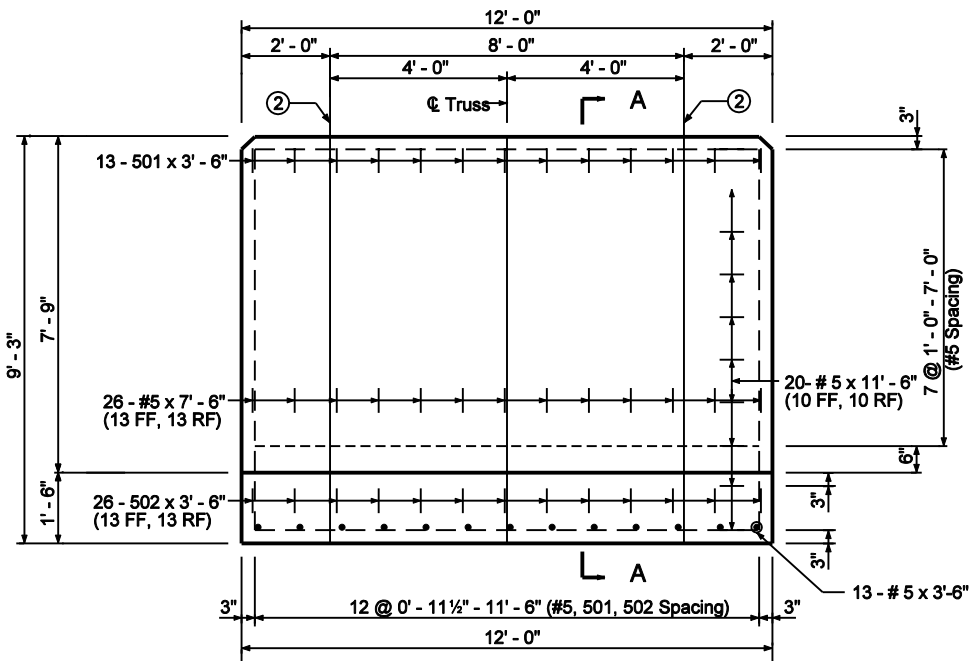
Notes:

1. For barrier wall width transition see Standard Drawing E 602-CCMB-03.

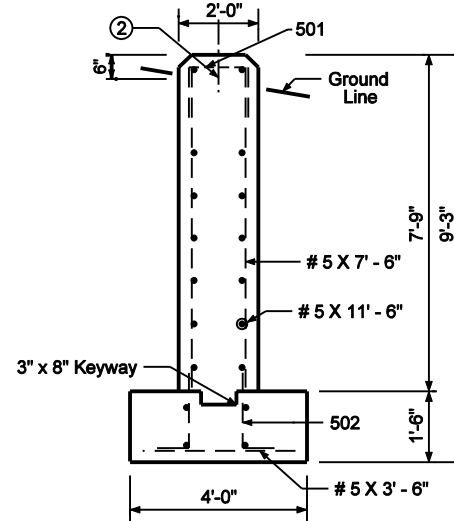
② Ⓞ Anchor Bolt.



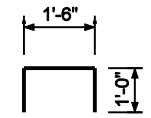
PLAN



ELEVATION



SECTION A-A



501 x 3'-6"



502 x 3'-6"

Notes:

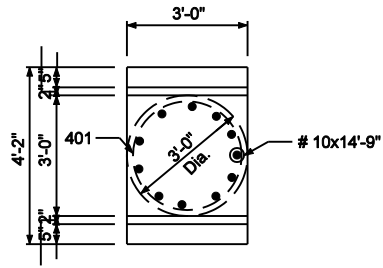
1. For barrier wall width transition see Standard Drawing E 602-CCMB-03.

② \varnothing Anchor Bolt.

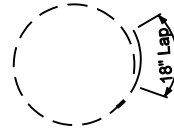
All Dimension are in mm unless otherwise specified

INDIANA DEPARTMENT OF TRANSPORTATION

**BOX TRUSS SIGN FOUNDATION
FOR SHOULDER INSTALLATION
TYPE VI-C**



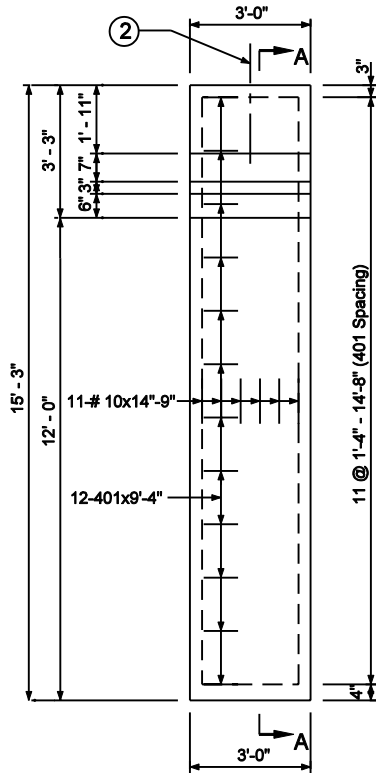
PLAN



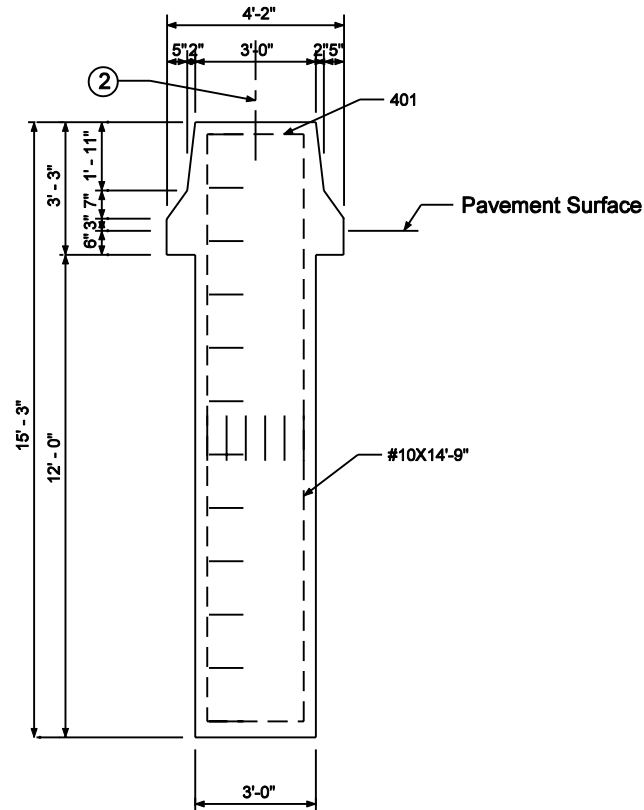
401 x 9'-4"

NOTES:

1. For barrier wall width transition see Standard Drawing E 602-CCMB-03
2. Ⓞ Anchor Bolt

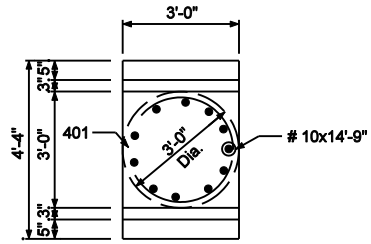


ELEVATION

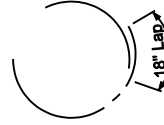


SECTION A-A

INDIANA DEPARTMENT OF TRANSPORTATION
**OVERHEAD BALANCED CANTILEVER
 SIGN FOUNDATION FOR 33" CONC.
 BARRIER WALL TYPE XIII-A**

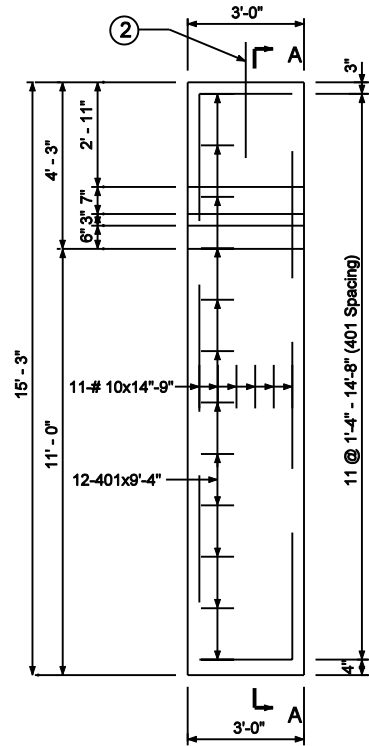


PLAN

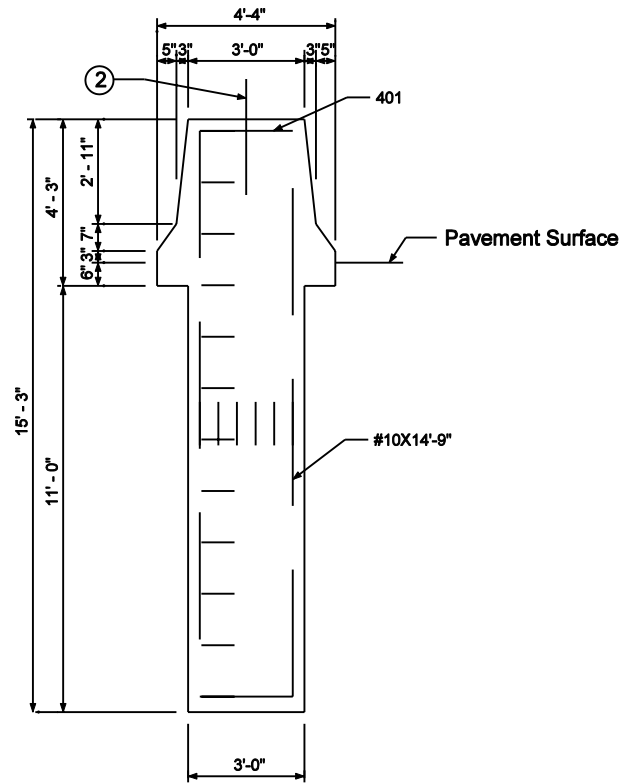


NOTES:

1. For barrier wall width transition see Standard Drawing E 602-CCMB-03
2. \odot Anchor Bolt



ELEVATION



SECTION A-A

INDIANA DEPARTMENT OF TRANSPORTATION
OVERHEAD BALANCED CANTILEVER
SIGN FOUNDATION FOR 45" CONC.
BARRIER WALL TYPE XIII-B