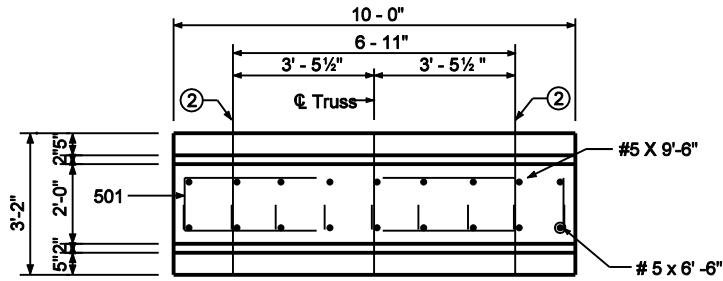


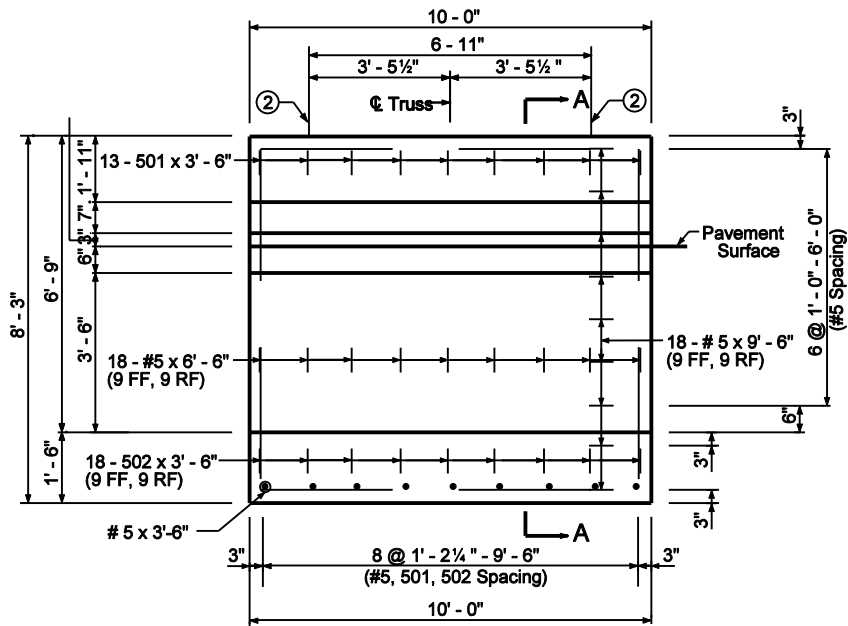
GENERAL NOTES
 ① Square nut under base plate for plumbing or raking pole.

Type	Pole Size	Gauge	D	B	F	H	P	R	S	T	Anchor bolts
IV	12" x 24 ft	0	36"	16"	11"	2"	3"	3"	17"	2"	1" x 7'-6
	14" x 26 ft	0	36"	20"	14"	2"	4"	4"	20"	2"	2" x 8'-0
	15" x 30 ft	0	36"	22"	15"	2"	4"	4"	23"	2"	2" x 8'-0

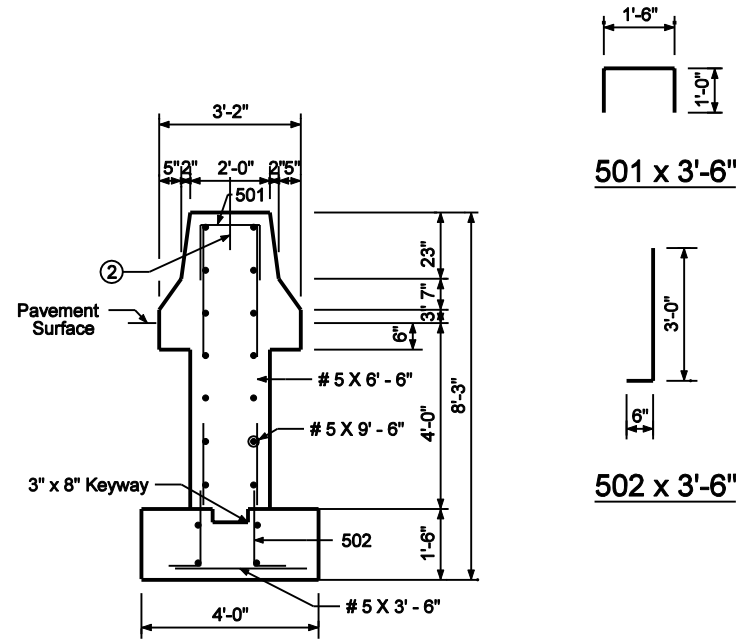
INDIANA DEPARTMENT OF TRANSPORTATION
**CABLE SPAN SIGN
 FOUNDATION DETAILS**



PLAN



ELEVATION



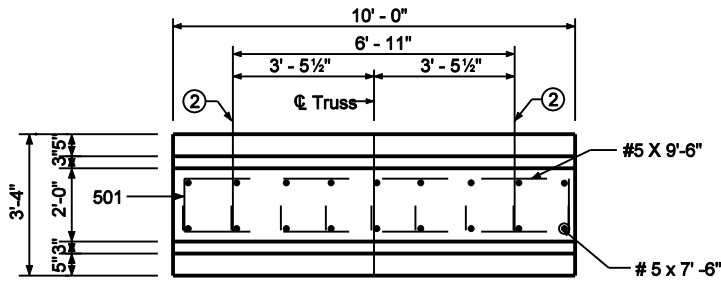
SECTION A-A

Notes:

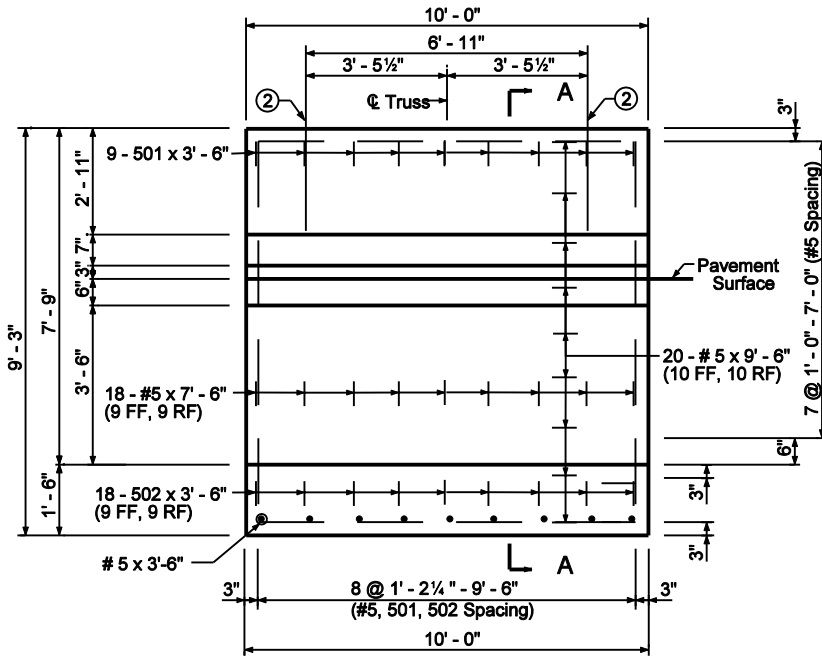
1. For barrier wall width transition see Standard Drawing E 602-CCMB-03.

② \varnothing Anchor Bolt.

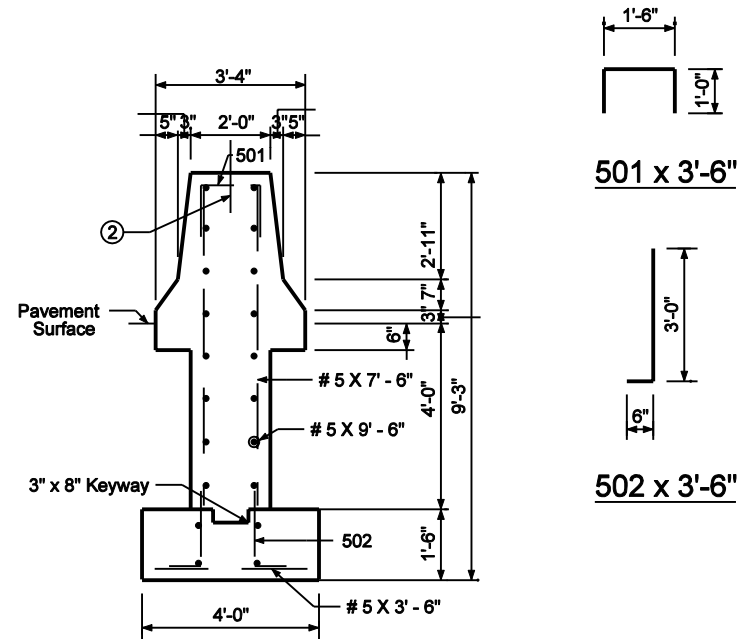
INDIANA DEPARTMENT OF TRANSPORTATION
**BOX TRUSS SIGN FOUNDATION
 FOR 33" CONC. BARRIER WALL
 TYPE V - A**



PLAN



ELEVATION

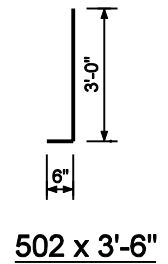
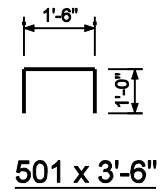


SECTION A-A

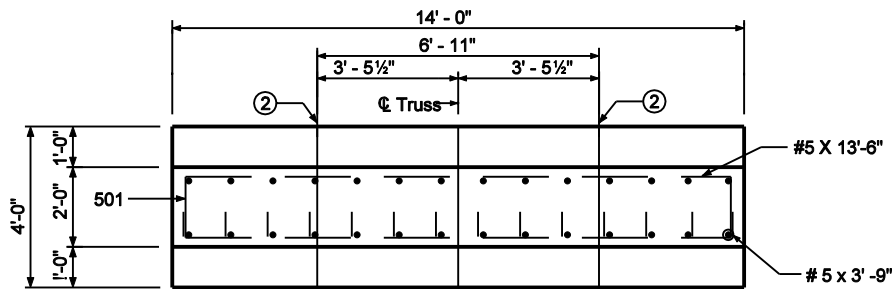
Notes:

1. For barrier wall width transition see Standard Drawing E 602-CCMB-03.

② \varnothing Anchor Bolt.



INDIANA DEPARTMENT OF TRANSPORTATION
**BOX TRUSS SIGN FOUNDATION
 FOR 45" CONC. BARRIER WALL
 TYPE V-B**

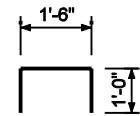


PLAN

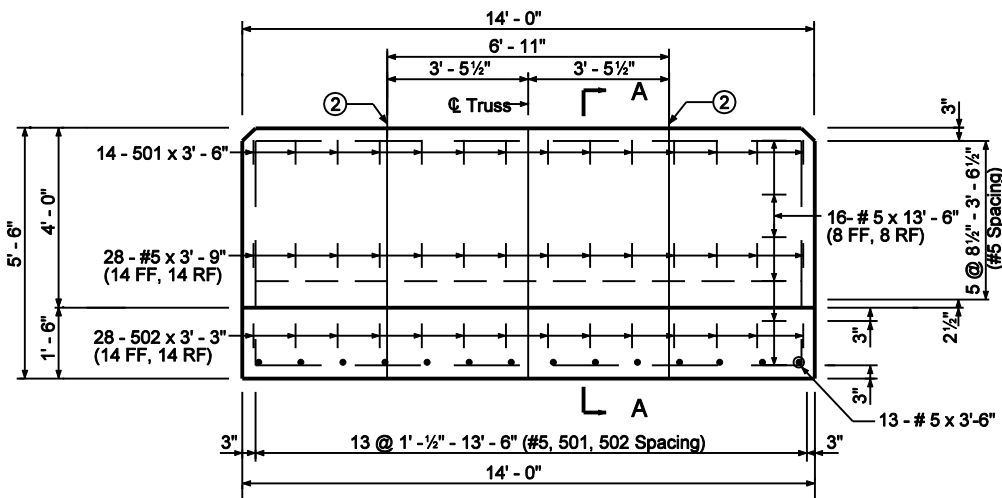
Notes:

1. For barrier wall width transition see Standard Drawing E 602-CCMB-03.

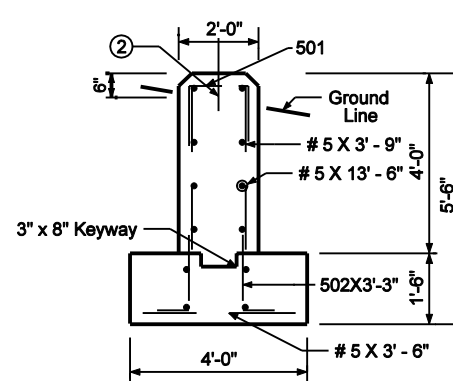
② \varnothing Anchor Bolt.



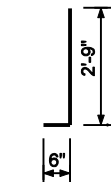
501 x 3'-6"



ELEVATION



SECTION A-A



502 x 3'-3"

INDIANA DEPARTMENT OF TRANSPORTATION
**BOX TRUSS SIGN FOUNDATION
 FOR SHOULDER INSTALLATION
 TYPE V-C**