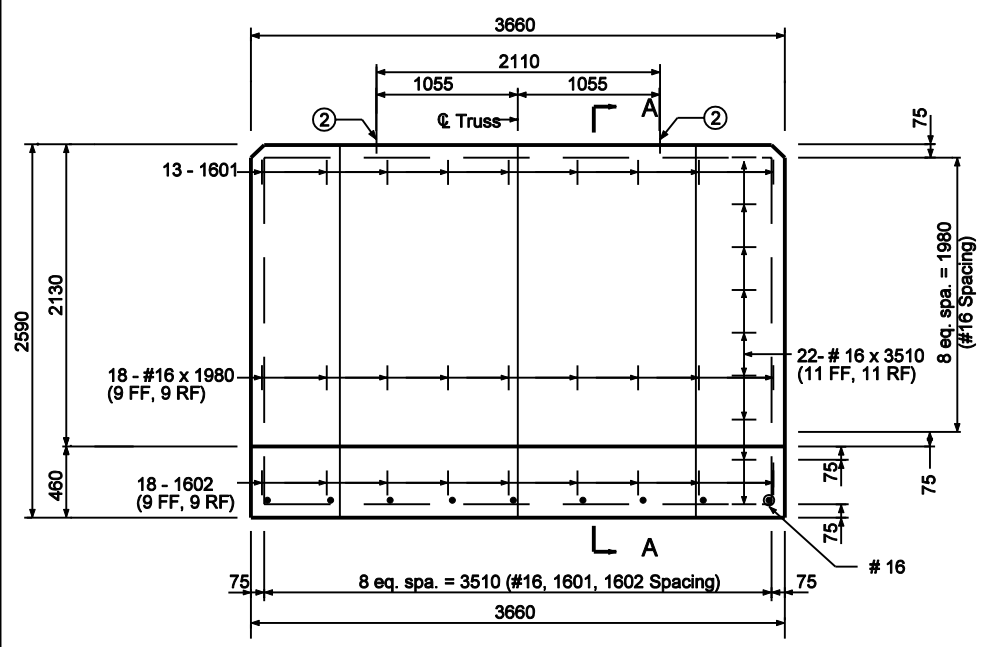
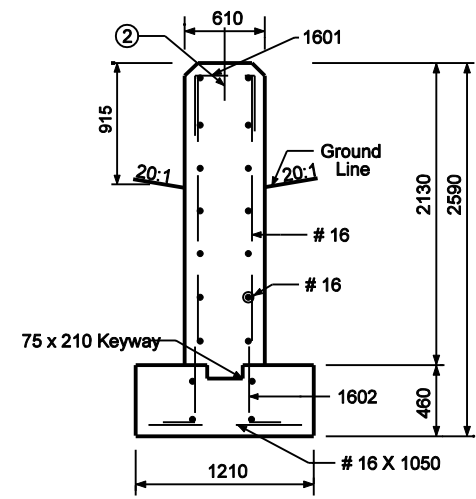


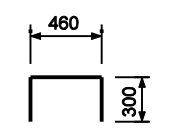
**PLAN**



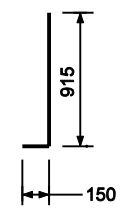
**ELEVATION**



**SECTION A-A**



**1601 x 1060**



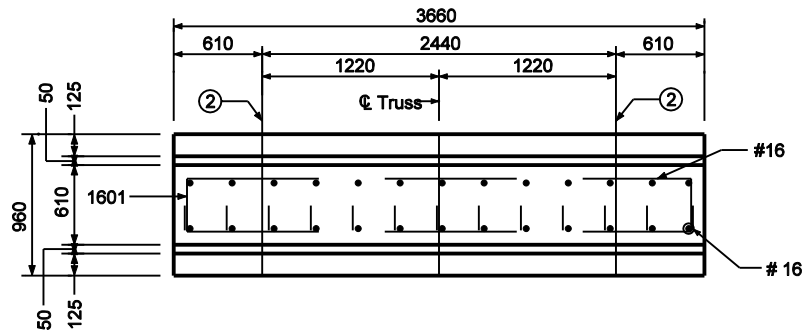
**1602 x 1060**

**Notes:**

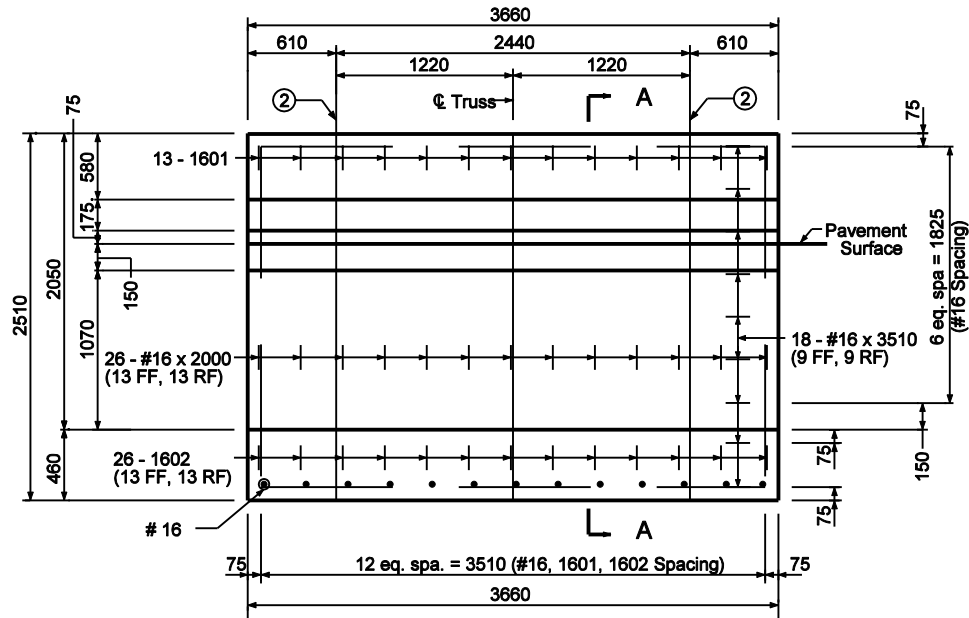
1. For barrier wall width transition see Standard Drawing 602-CCMB-03.
- ② ⌀ Anchor Bolt.

All Dimension are in mm unless otherwise specified

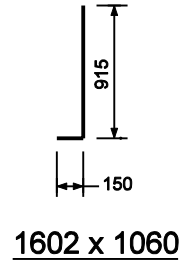
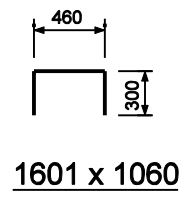
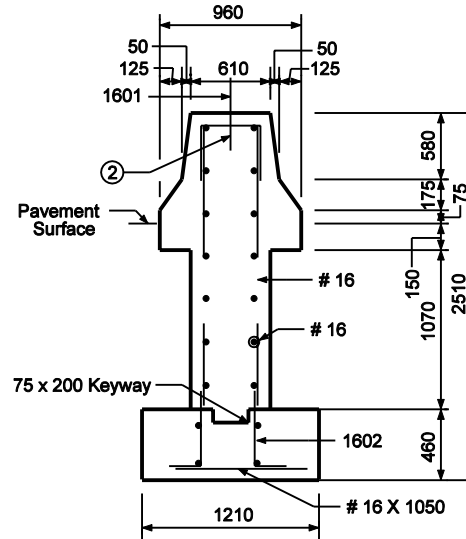
INDIANA DEPARTMENT OF TRANSPORTATION  
**BOX TRUSS SIGN FOUNDATION  
 FOR GRASS MEDIAN INSTALLATION  
 TYPE V-D**



PLAN



ELEVATION



Notes:

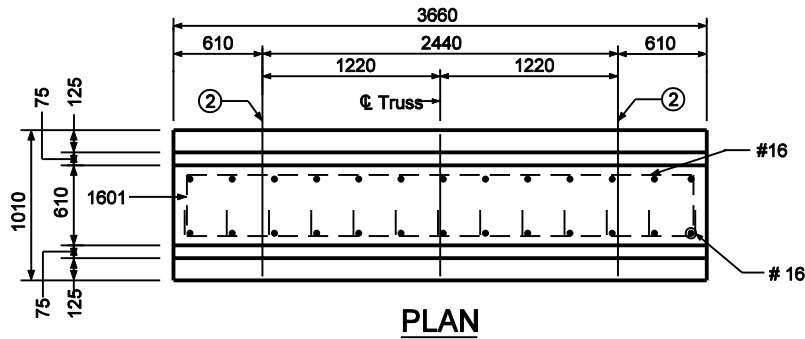
1. For barrier wall width transition see Standard Drawing 602-CCMB-03.

Ⓜ Ⓜ Anchor Bolt.

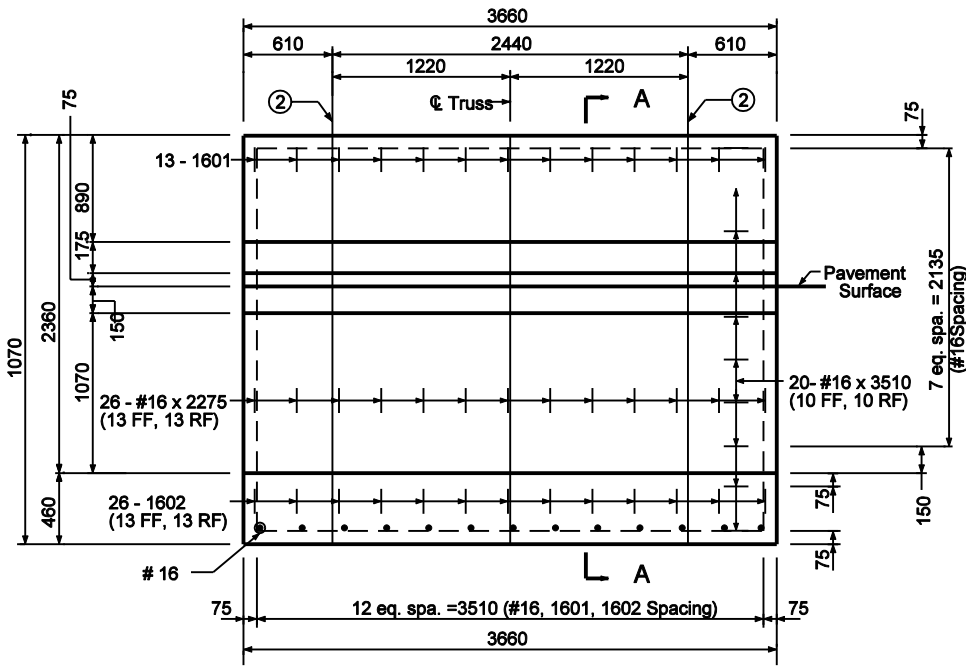
All Dimension are in mm unless otherwise specified

INDIANA DEPARTMENT OF TRANSPROTATION

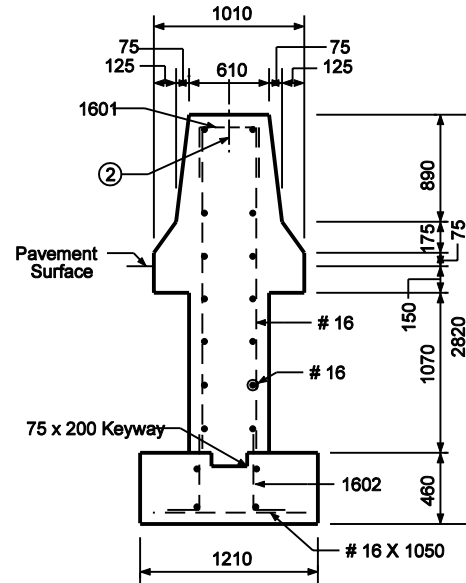
BOX TRUSS SIGN FOUNDATION FOR 840 CONC. BARRIER WALL TYPE VI-A



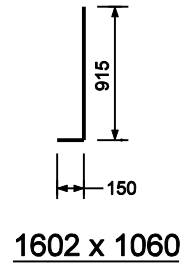
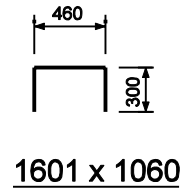
PLAN



ELEVATION



SECTION A-A



**Notes:**

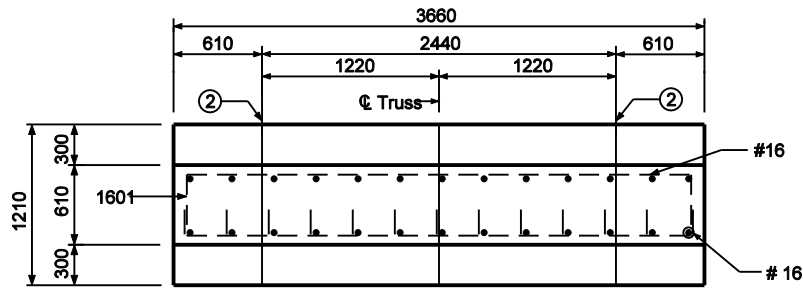
1. For barrier wall width transition see Standard Drawing 602-CCMB-03.

② ⌀ Anchor Bolt.

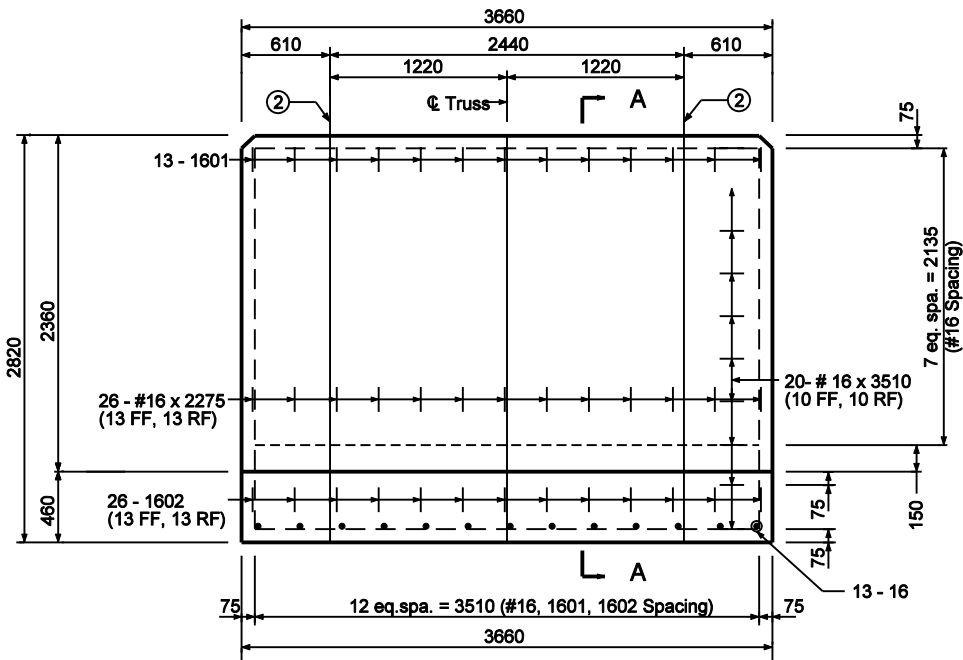
All Dimension are in mm unless otherwise specified

INDIANA DEPARTMENT OF TRANSPORTATION

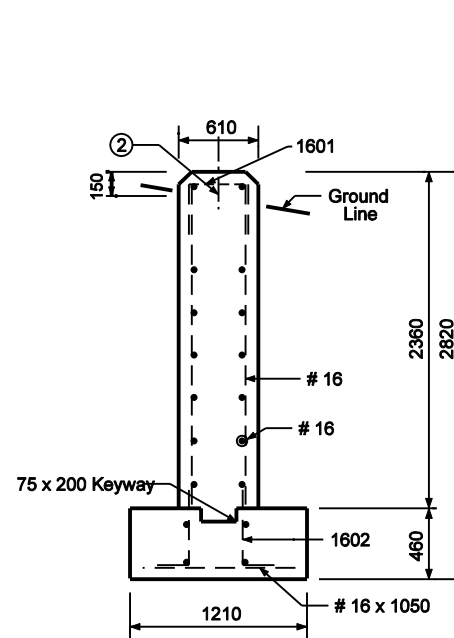
**BOX TRUSS SIGN FOUNDATION  
FOR 1145 CONC. BARRIER WALL  
TYPE VI-B**



PLAN



ELEVATION

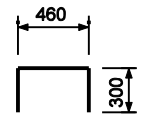


SECTION A-A

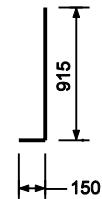
Notes:

1. For barrier wall width transition see Standard Drawing 602-CCMB-03.

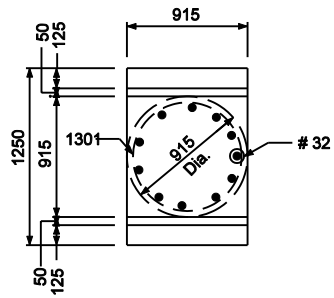
②  $\varnothing$  Anchor Bolt.



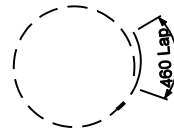
1601 x 1060



1602 x 1060



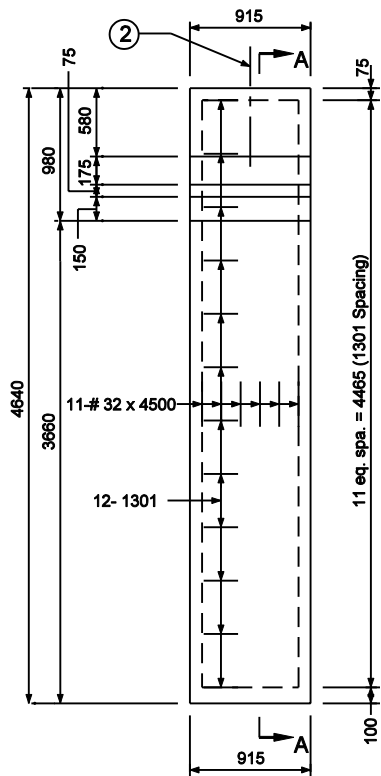
PLAN



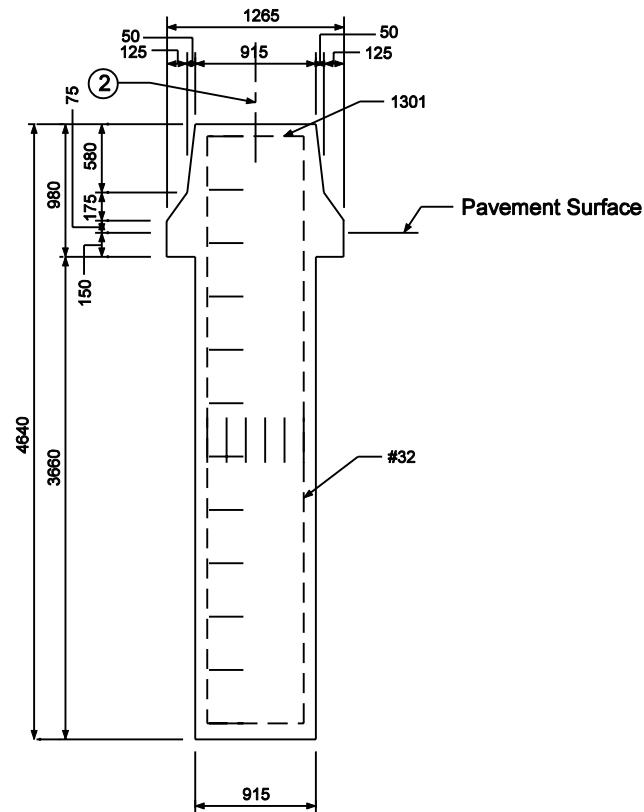
1301 x 860

**NOTES:**

1. For barrier wall width transition see Standard Drawing 602-CCMB-03
2. Ⓞ Anchor Bolt



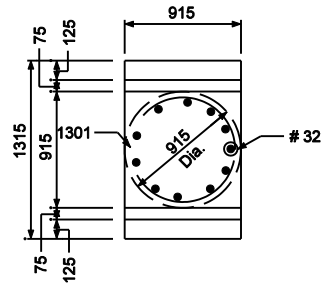
ELEVATION



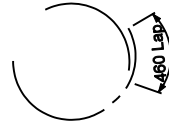
SECTION A-A

All Dimension are in mm unless otherwise specified

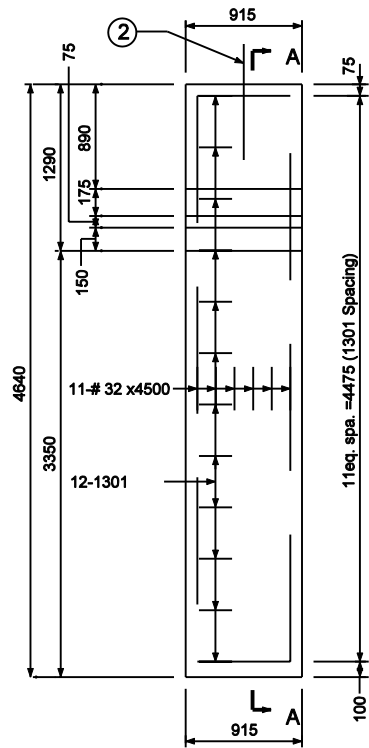
INDIANA DEPARTMENT OF TRANSPROTATION  
**OVERHEAD BALANCED CANTILEVER  
 SIGN FOUNDATION FOR 840 CONC.  
 BARRIER WALL TYPE XIII-A**



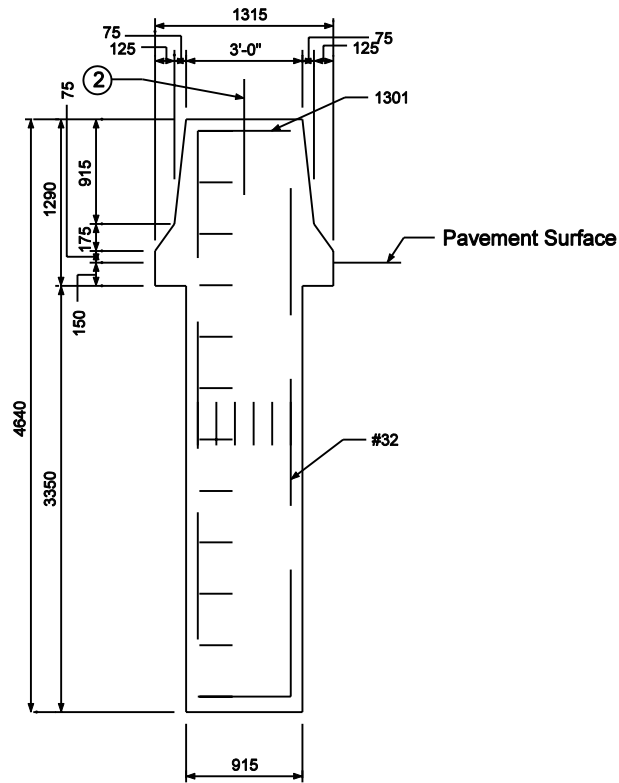
**PLAN**



**1301 x 2860**



**ELEVATION**



**SECTION A-A**

**NOTES:**

1. For barrier wall width transition see Standard Drawing 602-CCMB-03
2. Ⓞ Anchor Bolt

All Dimension are in mm unless otherwise specified

INDIANA DEPARTMENT OF TRANSPORTATION  
**OVERHEAD BALANCED CANTILEVER  
 SIGN FOUNDATION FOR 1145 CONC.  
 BARRIER WALL TYPE XIII-B**