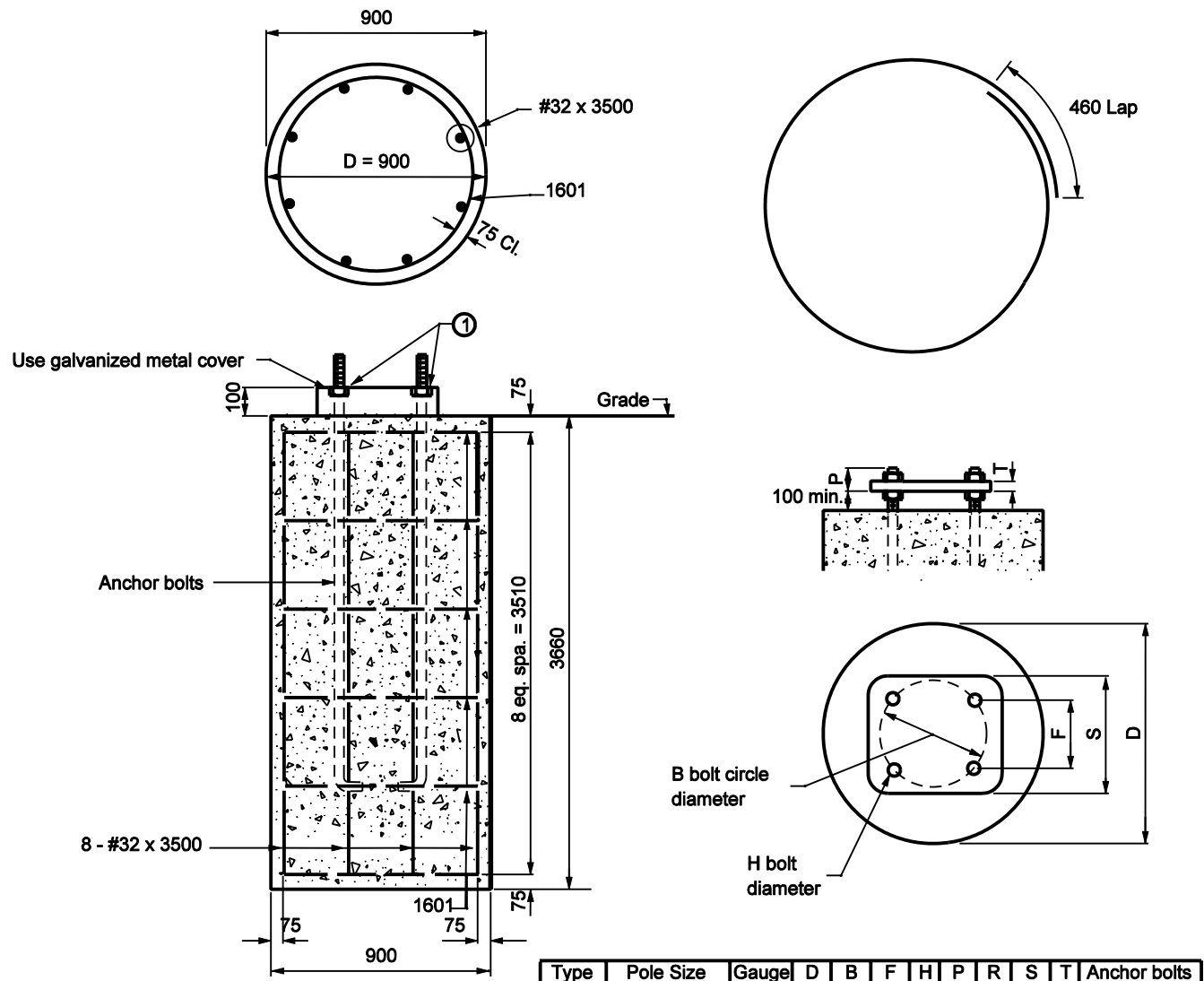


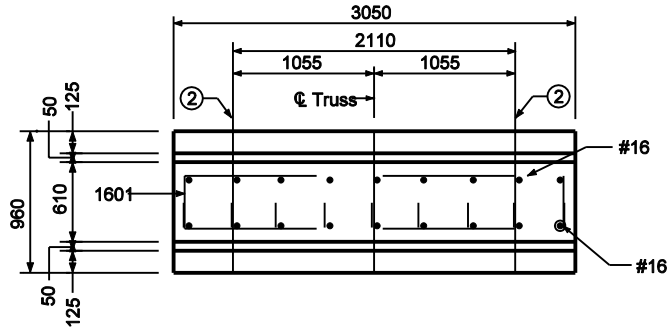
All Dimension are in mm unless otherwise specified  
INDIANA DEPARTMENT OF TRANSPROTATION  
**CANTILEVER SIGN  
SUPPORT FOUNDATION DETAILS**



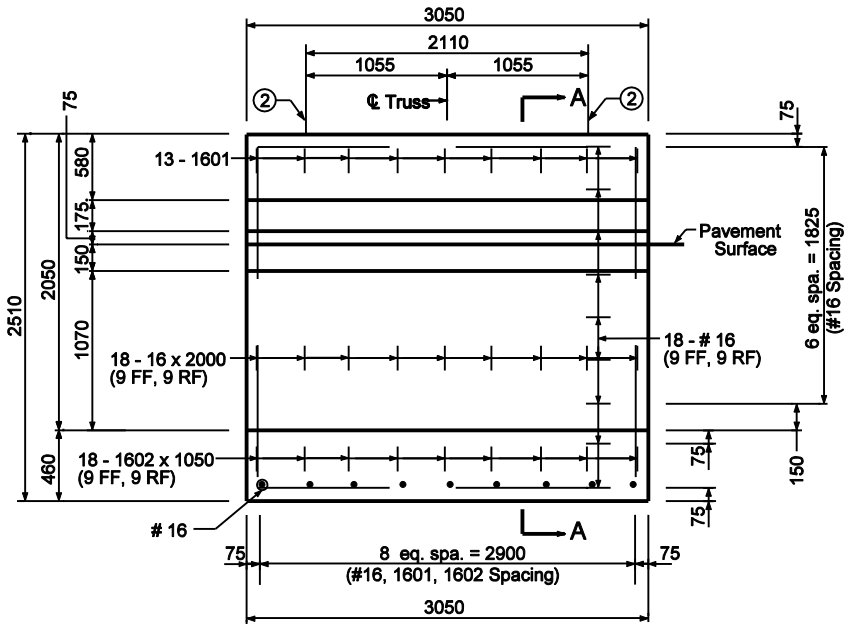
**GENERAL NOTES**  
 ① Square nut under base plate for plumbing or raking pole.

Type	Pole Size	Gauge	D	B	F	H	P	R	S	T	Anchor bolts
IV	300 x 7.3 m	0	900	400	288	54	95	95	432	50	45 x 2.3 m
	350 x 7.9 m	0	900	510	358	66	100	115	520	50	50 x 2.4 m
	375 x 9.1 m	0	900	560	394	66	100	118	584	50	50 x 2.4 m

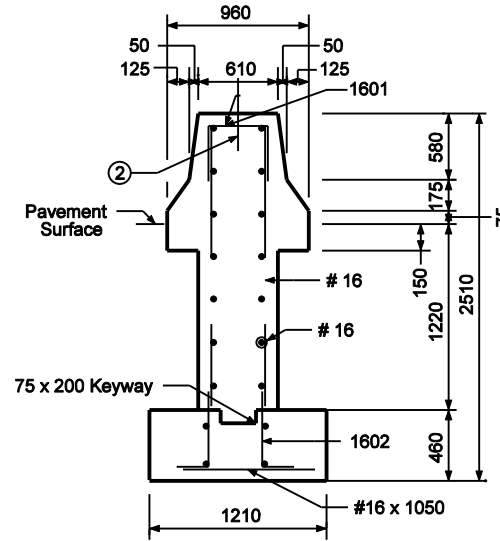
All Dimension are in mm unless otherwise specified  
 INDIANA DEPARTMENT OF TRANSPROTATION  
**CABLE SPAN SIGN  
 FOUNDATION DETAILS**



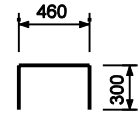
**PLAN**



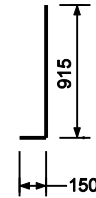
**ELEVATION**



**SECTION A-A**



**1601 x 1060**



**1602 x 1060**

**Notes:**

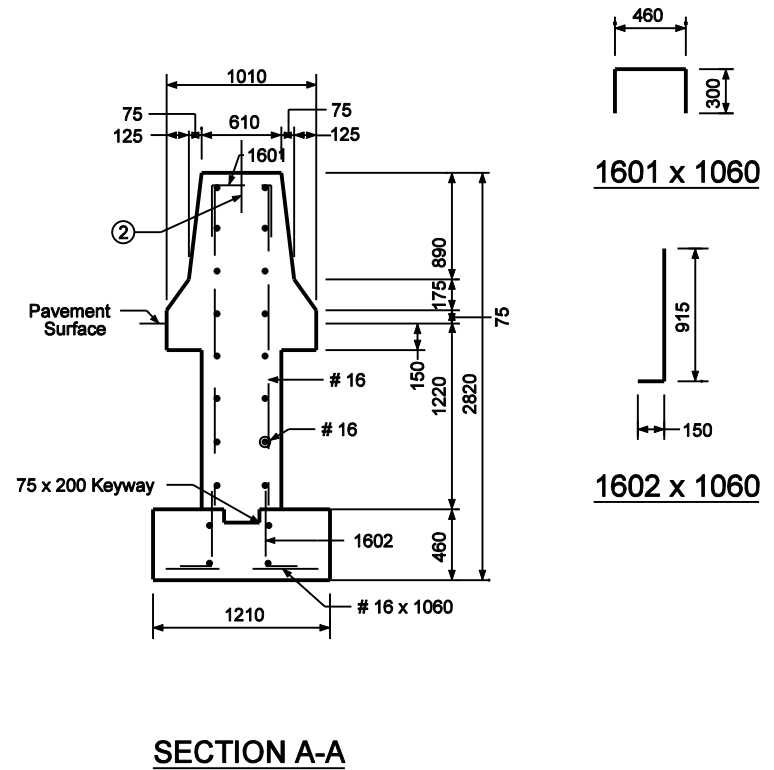
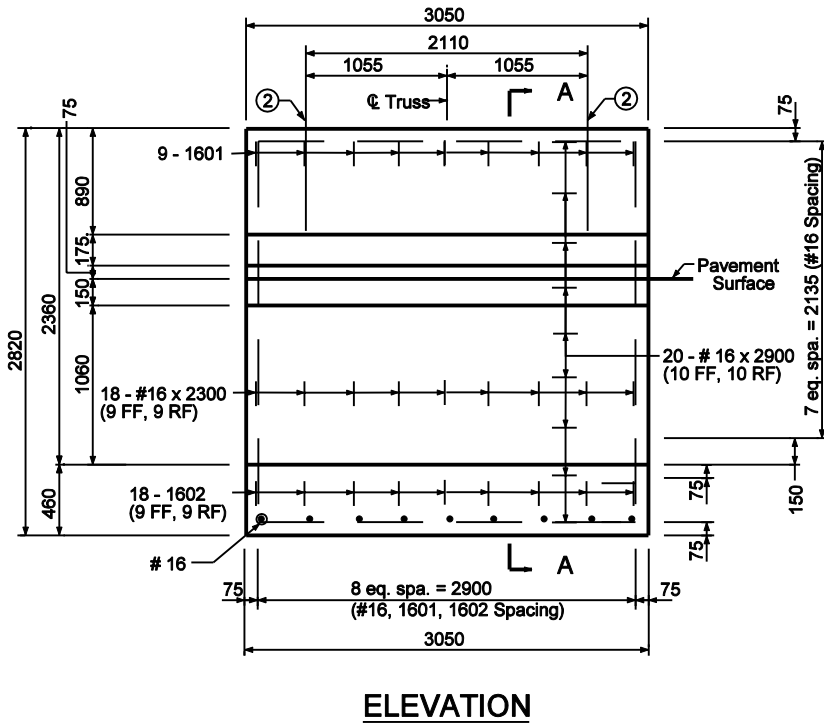
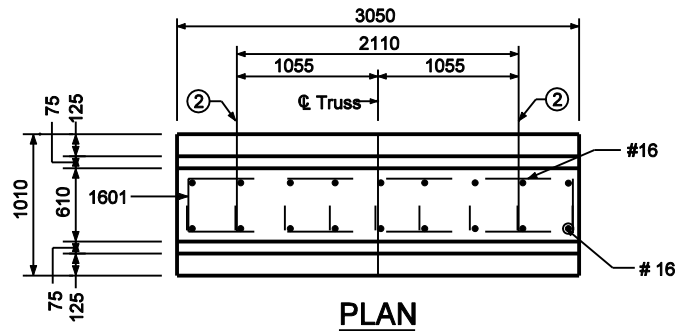
1. For barrier wall width transition see Standard Drawing 602-CCMB-03.

②  $\varnothing$  Anchor Bolt.

All Dimension are in mm unless otherwise specified

INDIANA DEPARTMENT OF TRANSPORTATION

**BOX TRUSS SIGN FOUNDATION  
FOR 840 CONC. BARRIER WALL  
TYPE V - A**



**Notes:**

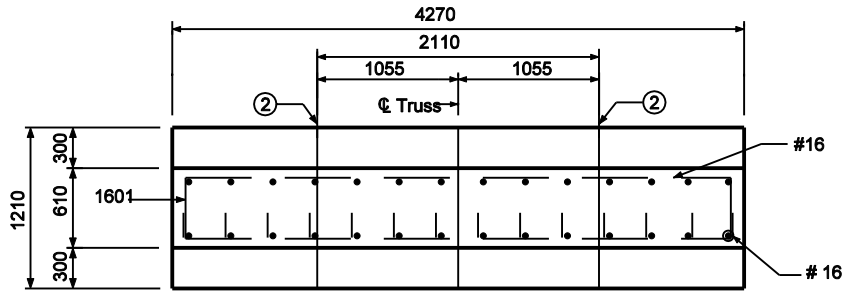
1. For barrier wall width transition see Standard Drawing 602-CCMB-03.

②  $\varnothing$  Anchor Bolt.

All Dimension are in mm unless otherwise specified

INDIANA DEPARTMENT OF TRANSPORTATION

**BOX TRUSS SIGN FOUNDATION  
FOR 1145 CONC. BARRIER WALL  
TYPE V-B**

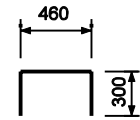


**PLAN**

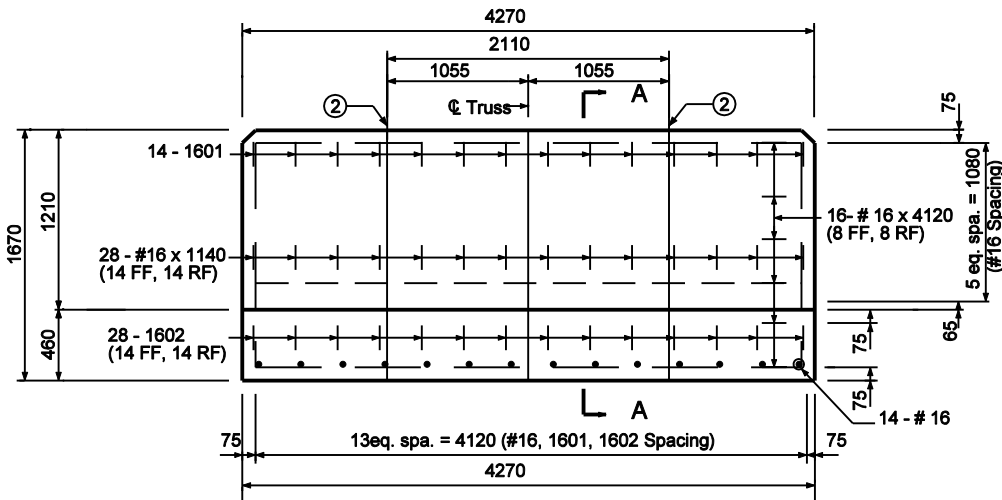
**Notes:**

1. For barrier wall width transition see Standard Drawing 602-CCMB-03.

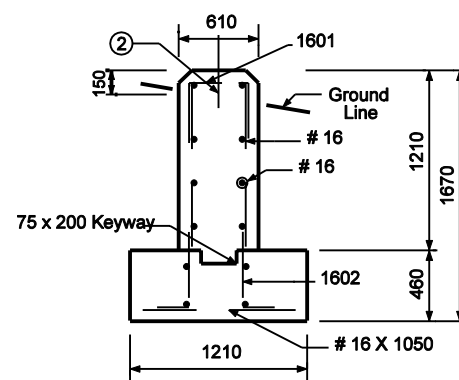
②  $\varnothing$  Anchor Bolt.



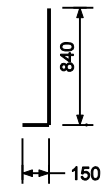
**1601 x 1060**



**ELEVATION**



**SECTION A-A**



**1602 x 1000**

All Dimension are in mm unless otherwise specified

INDIANA DEPARTMENT OF TRANSPORTATION

**BOX TRUSS SIGN FOUNDATION  
FOR SHOULDER INSTALLATION  
TYPE V-C**