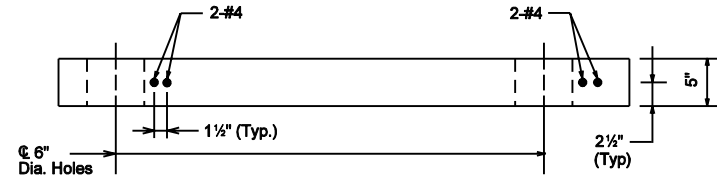
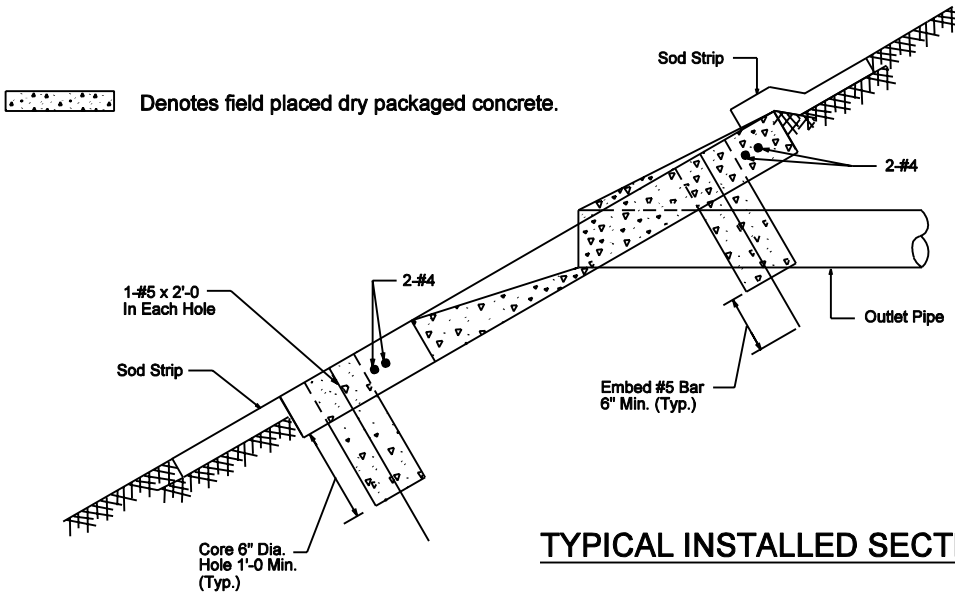


PLAN VIEW



SECTION C-C

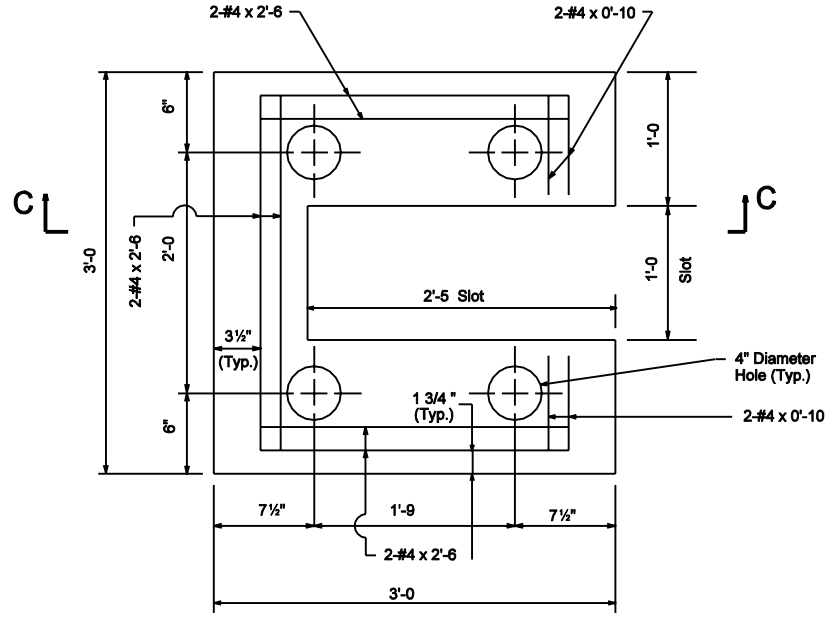


TYPICAL INSTALLED SECTION C-C

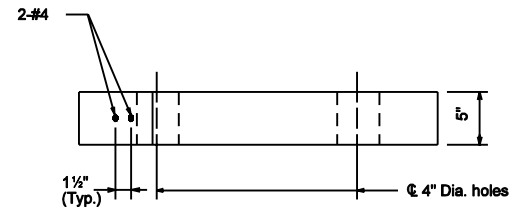
NOTES

1. The #4 bars extending through the protector slot may be cut as required to accommodate outlet pipe
2. Adjacent #4 bars shall be spaced at 1 1/2" center to center.

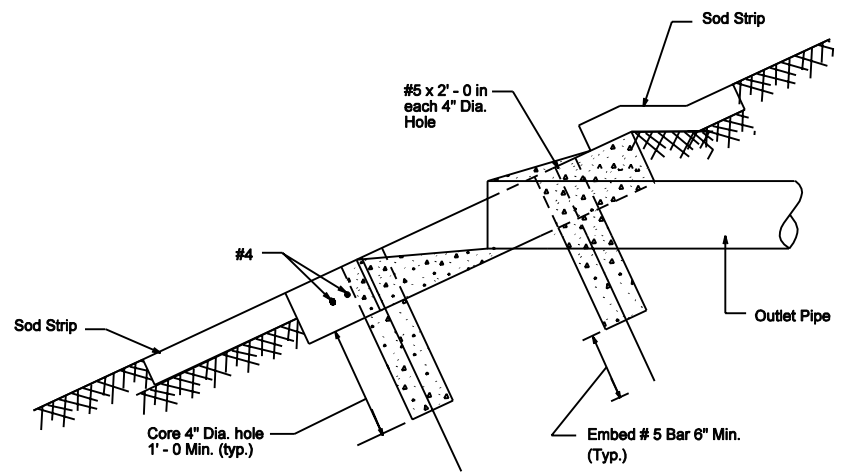
INDIANA DEPARTMENT OF TRANSPORTATION
**OUTLET PROTECTOR TYPE 2
 PRECAST ALTERNATE**



PLAN VIEW



SECTION C-C



TYPICAL INSTALLED SECTION C-C



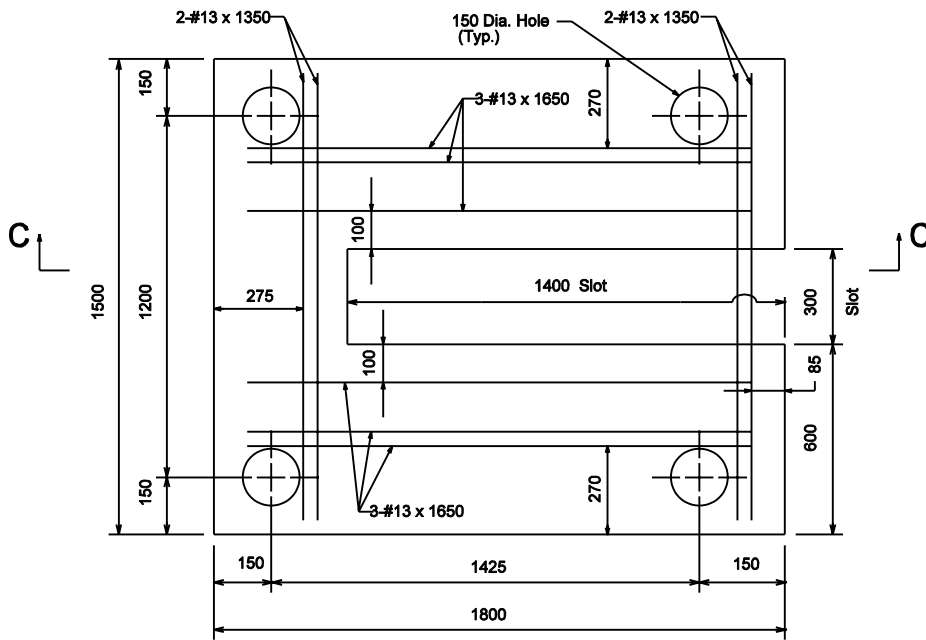
Denotes field placed dry packaged concrete.

NOTE

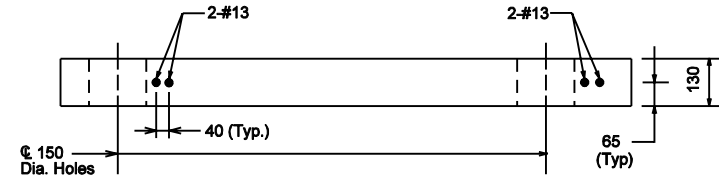
1. Adjacent #4 bars shall be spaced at 1 1/2" center to center.

INDIANA DEPARTMENT OF TRANSPORTATION

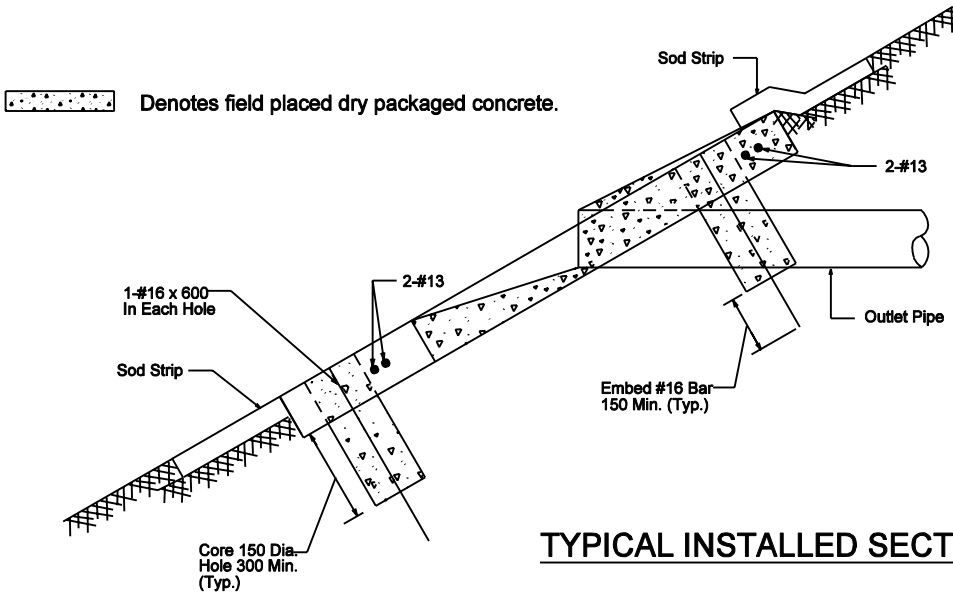
**OUTLET PROTECTOR TYPE 3
PRECAST ALTERNATE**



PLAN VIEW



SECTION C-C



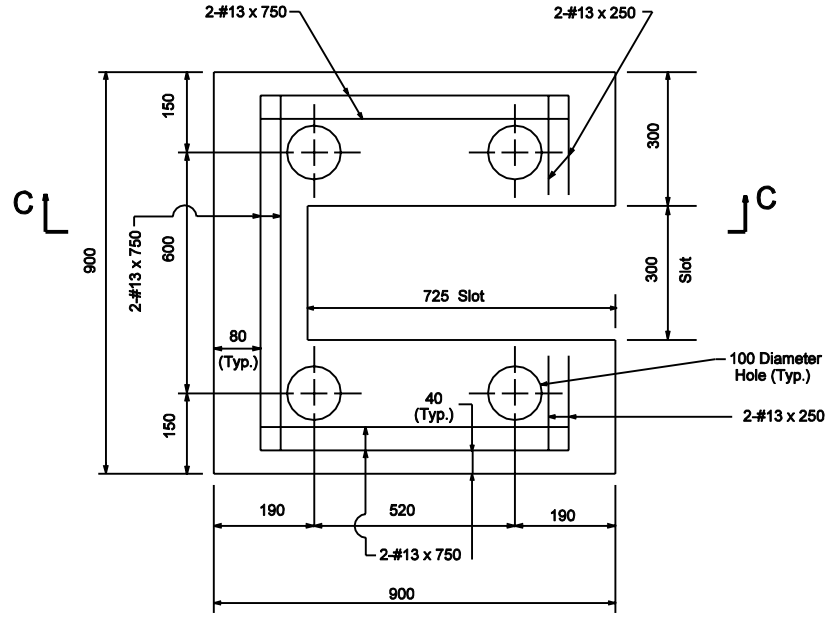
TYPICAL INSTALLED SECTION C-C

NOTES

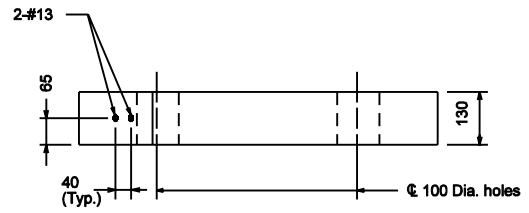
1. The #13 bars extending through the protector slot may be cut as required to accommodate outlet pipe
2. Adjacent #13 bars shall be spaced at 40 center to center.

All Dimension are in mm unless otherwise specified

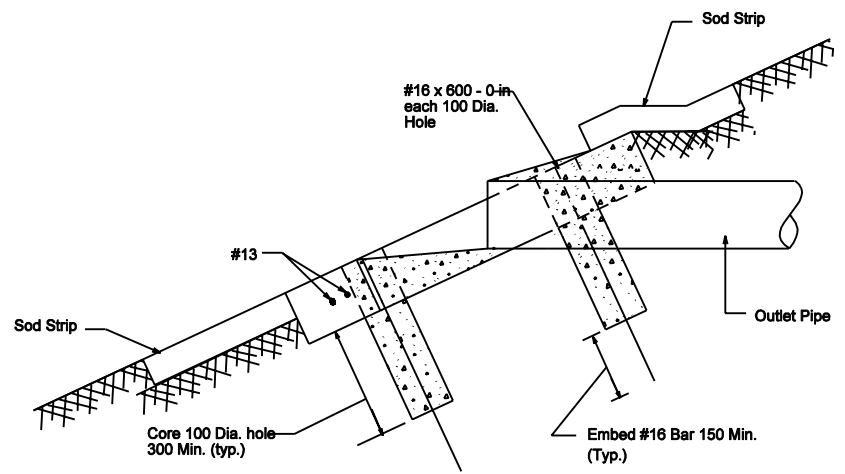
INDIANA DEPARTMENT OF TRANSPORTATION
**OUTLET PROTECTOR TYPE 2
 PRECAST ALTERNATE**



PLAN VIEW



SECTION C-C



TYPICAL INSTALLED SECTION C-C



Denotes field placed dry packaged concrete.

NOTE

1. Adjacent #13 bars shall be spaced at 40 center to center.

All Dimension are in mm unless otherwise specified

INDIANA DEPARTMENT OF TRANSPORTATION

**OUTLET PROTECTOR TYPE 3
PRECAST ALTERNATE**