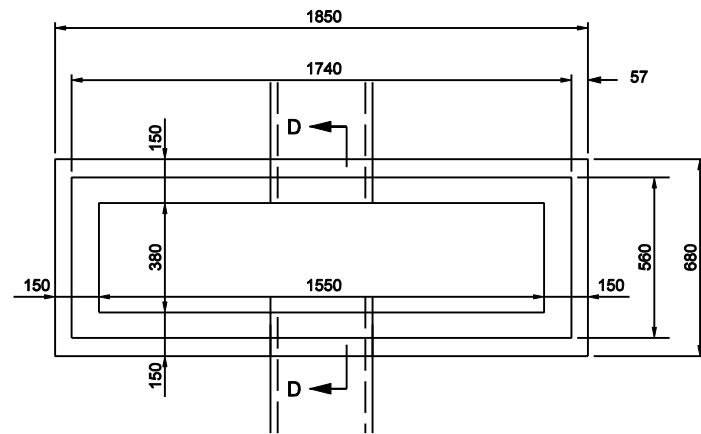
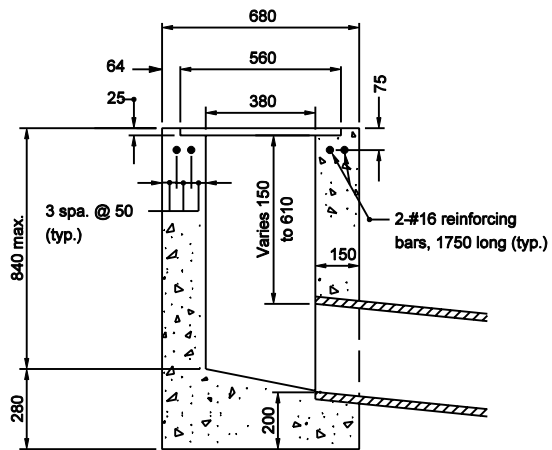


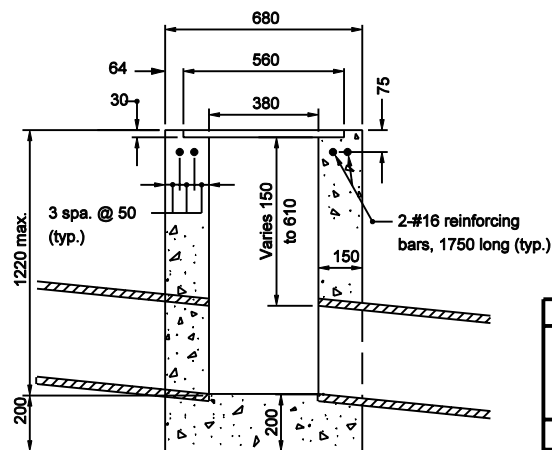
PLAN



PLAN



SECTION C-C  
TYPE S



SECTION D-D  
TYPE T

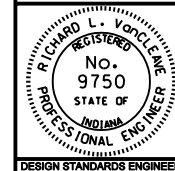
All Dimension are in mm unless otherwise specified

INDIANA DEPARTMENT OF TRANSPORTATION

INLETS TYPE S AND T

SEPTEMBER 2003

STANDARD DRAWING NO. 720-INST-10



/s/ Richard L. VanCleave 9-02-03  
DESIGN STANDARDS ENGINEER DATE

/s/ Richard K. Smutzer 9-02-03  
CHIEF HIGHWAY ENGINEER DATE

DESIGN STANDARDS ENGINEER