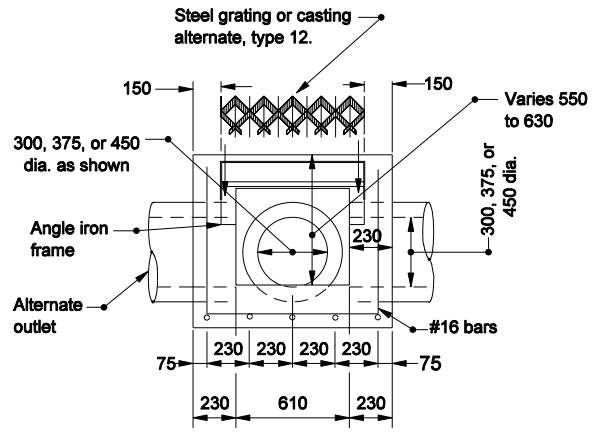


**TYPE P INLET**

- NOTE:**
1. See Standard Drawing 720-ICCA-10 for steel grating Type 12 or 720-ICCA-11 for castion Type 12 Alternate.



**SECTION B-B**

TYPE P INLET									
PIPE SIZE	6:1			8:1			10:1		
	C	D	E	C	D	E	C	D	E
300	550	330	1000	550	370	1010	550	400	1010
375	630	410	1000	630	460	1010	630	490	1010

All dimensions are in mm unless otherwise specified

INDIANA DEPARTMENT OF TRANSPORTATION

**INLET TYPE P**

SEPTEMBER 2005

STANDARD DRAWING NO. 720-INST-09

	/s/ Richard L. VanCleave	9-01-05
	DESIGN STANDARDS ENGINEER	DATE
	/s/ Richard K. Smutzer	9-01-05
	CHIEF HIGHWAY ENGINEER	DATE

DESIGN STANDARDS ENGINEER