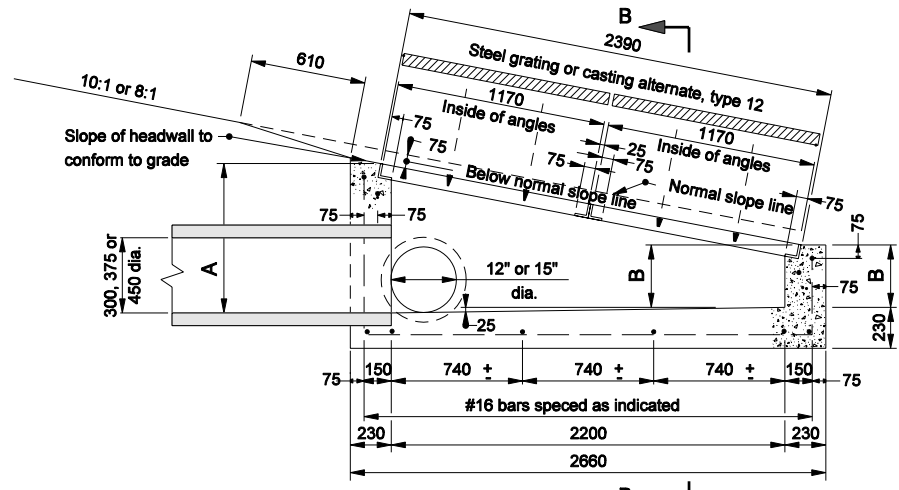
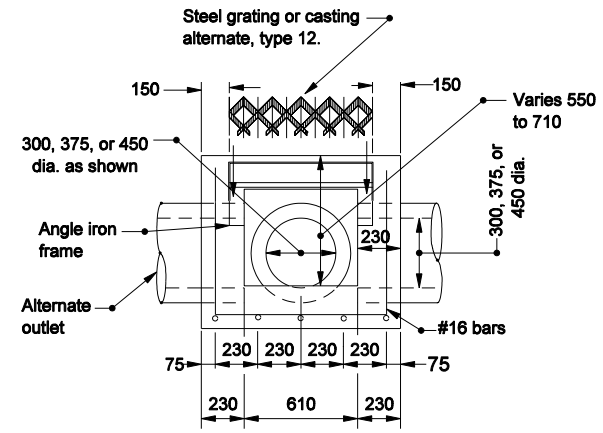


**SECTION A-A**  
Showing Grate Slope of 6:1



**SECTION A-A**  
Showing Grate Slope of 8:1 or 10:1

TYPE N INLET						
PIPE SIZE	6:1		8:1		10:1	
	A	B	A	B	A	B
300	550	130	550	225	550	280
375	630	210	630	310	630	370
450	710	290	710	390	710	450



**SECTION B-B**

All dimensions are in mm unless otherwise specified

INDIANA DEPARTMENT OF TRANSPORTATION	
<b>INLET TYPE N</b>	
SEPTEMBER 2005	
STANDARD DRAWING NO. 720-INST-08	
	/s/ Richard L. VanCleave    9-01-05 DESIGN STANDARDS ENGINEER    DATE
	/s/ Richard K. Smutzer    9-01-05 CHIEF HIGHWAY ENGINEER    DATE
DESIGN STANDARDS ENGINEER	