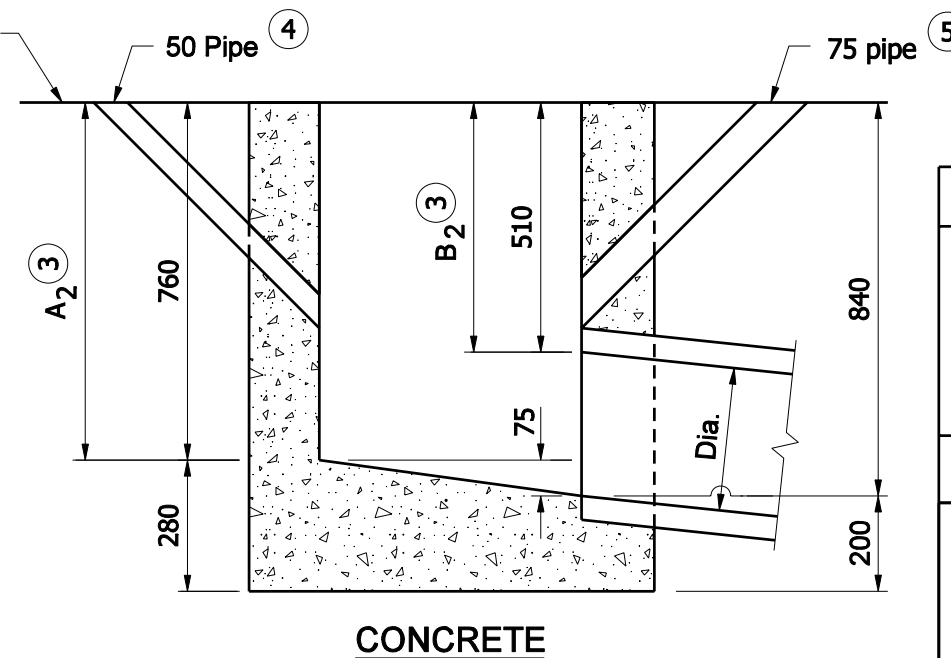
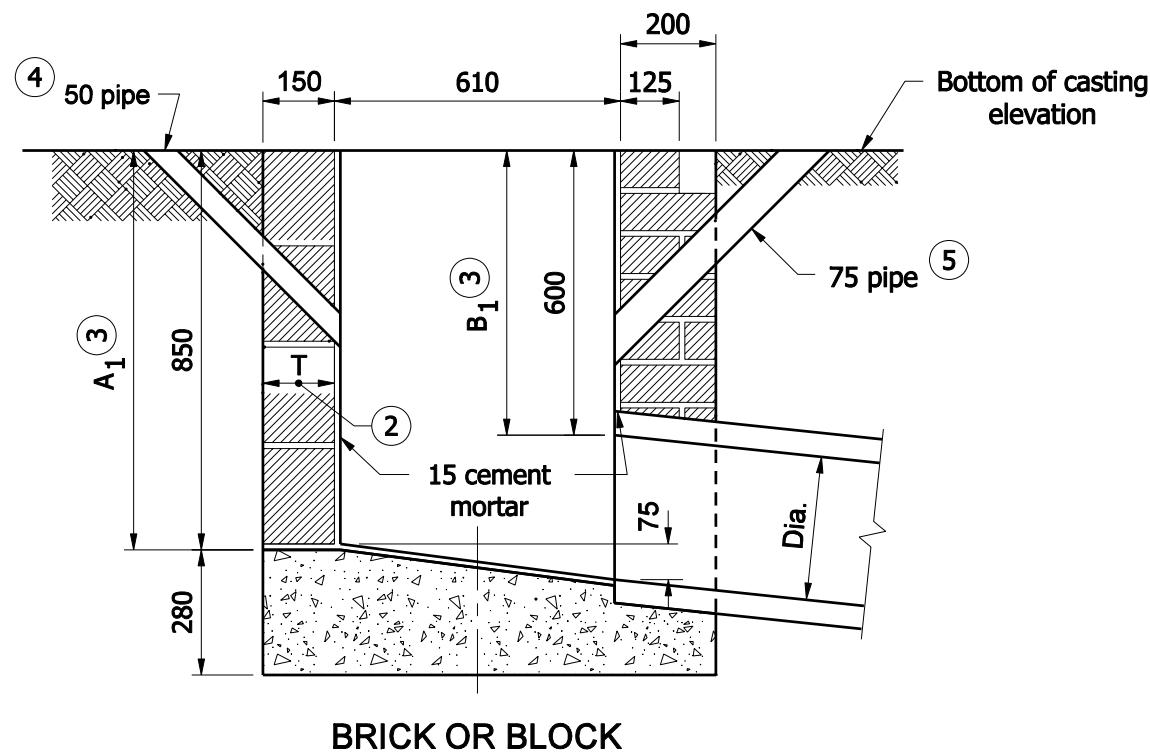
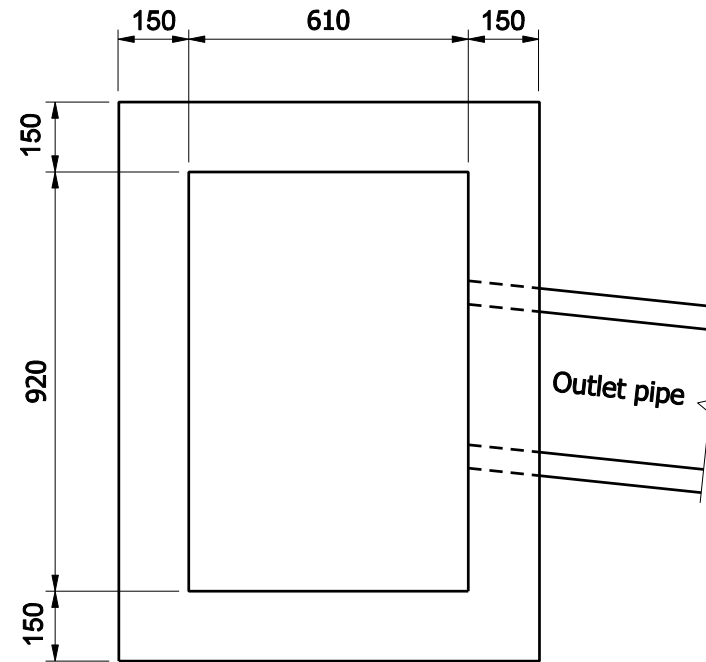
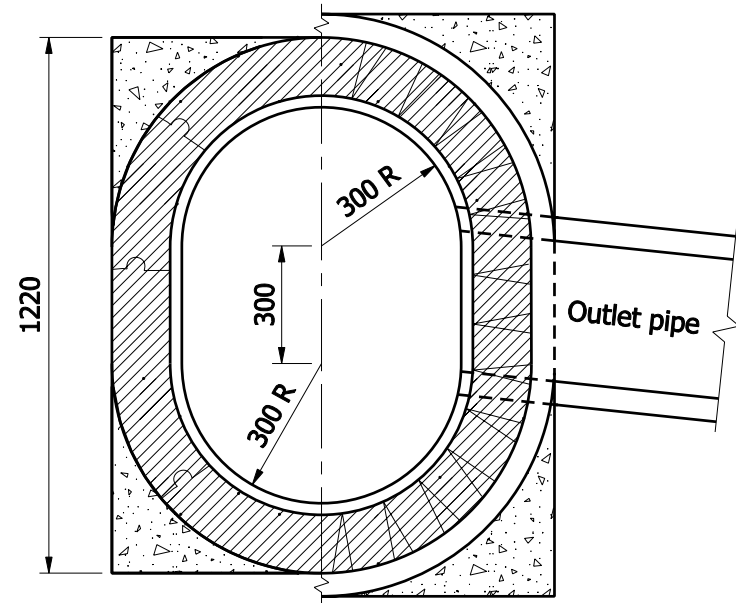


GENERAL NOTES

1. Brick, block, or concrete may be used.
2. T = 200 for brick structure
T = 150 for segmental block structure
- 3 In special cases or where inlet pipe is required, A₁, B₁, A₂, and B₂ shall be increased or decreased 300, as directed.
- 4 50 dia. pipe drain from bottom of curb to inlet. Aggregate to be placed around inlet end of pipe.
- 5 75 dia. pipe to be kept open for drainage of subgrade or base until surface is placed.



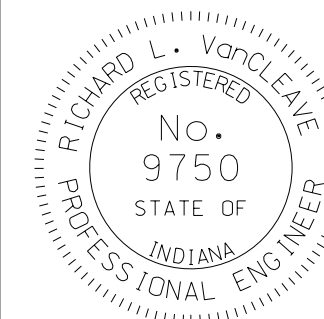
All Dimensions are in mm unless otherwise specified.

INDIANA DEPARTMENT OF TRANSPORTATION

INLET TYPE J

SEPTEMBER 2008

STANDARD DRAWING NO. 720-INST-06



DESIGN STANDARDS ENGINEER

/s/ Richard L. VanCleave 09/02/08
DESIGN STANDARDS ENGINEER DATE

/s/ Mark A. Miller 09/02/08
CHIEF HIGHWAY ENGINEER DATE