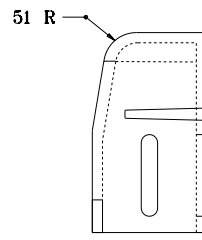
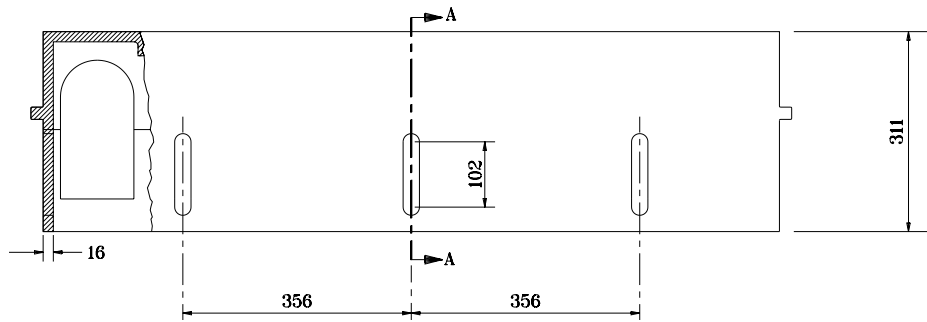


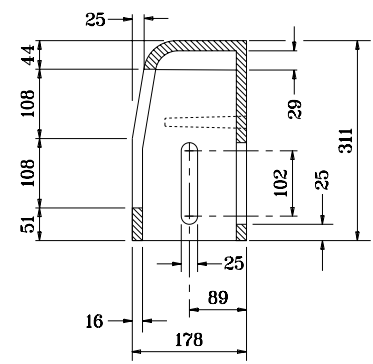
FRONT



SIDE



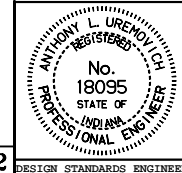
BACK



SECTION A-A

All dimensions are in mm unless otherwise specified.

INDIANA DEPARTMENT OF TRANSPORTATION
CASTING TYPE 15
CURB BOX
 SEPTEMBER 1998
 STANDARD DRAWING NO. **720-ICCA-18**



/s/ Anthony L. Uremovich 9-01-98
 DESIGN STANDARDS ENGINEER DATE

/s/ Donald W. Lucas 9-01-98
 CHIEF HIGHWAY ENGINEER DATE

Source Sheet: **MC2**