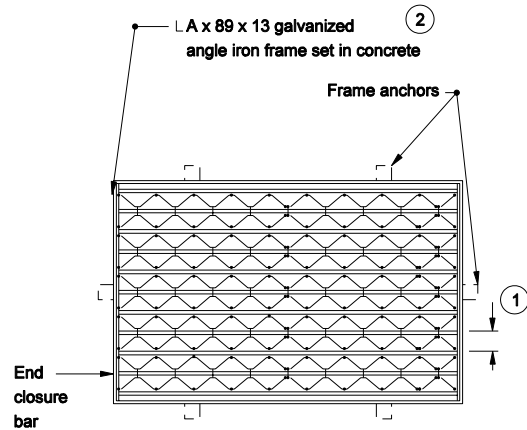
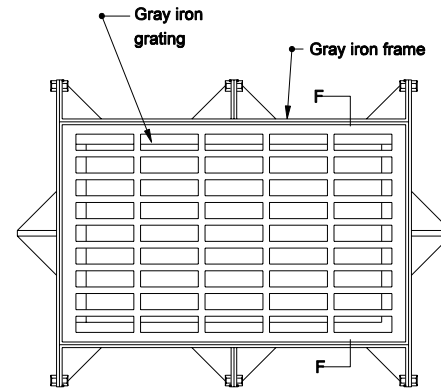


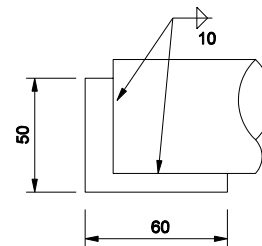
ALTERNATE STEEL GRATING
(To be used with steel frame type 12A)



STEEL GRATING AND FRAME TYPE 12A



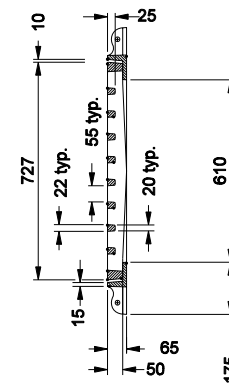
GRATE AND FRAME CASTING ALTERNATE TYPE 12A



SECTION E-E

GENERAL NOTES

- 1 Spacing shall be 48 c. to c. min., and 60 c. to c. max.
- 2 The dimensions of the angle iron frame shall be as shown except that the A dimension may vary according to type of grating used.



SECTION F-F

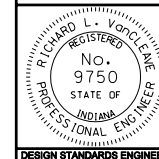
All dimensions are in mm unless otherwise specified

INDIANA DEPARTMENT OF TRANSPORTATION

**STEEL GRATING TYPE 12A
FRAME AND GRATE**

SEPTEMBER 2005

STANDARD DRAWING NO. 720-ICCA-12



/s/ Richard L. VanCleave 9-01-05
DESIGN STANDARDS ENGINEER DATE

/s/ Richard K. Smutzer 9-01-05
CHIEF HIGHWAY ENGINEER DATE

DESIGN STANDARDS ENGINEER