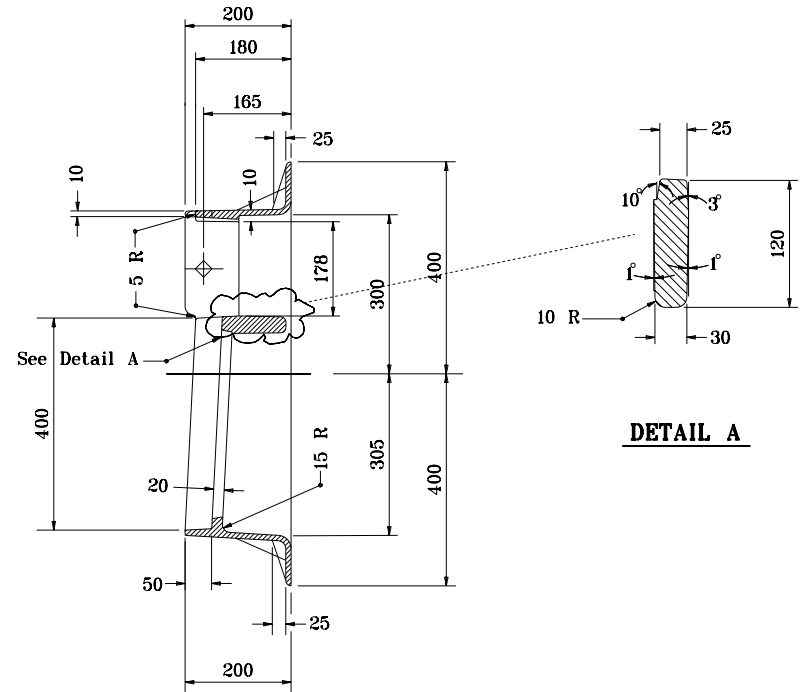
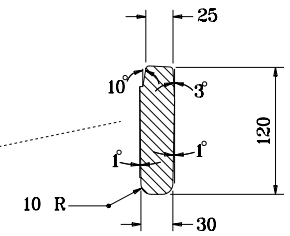


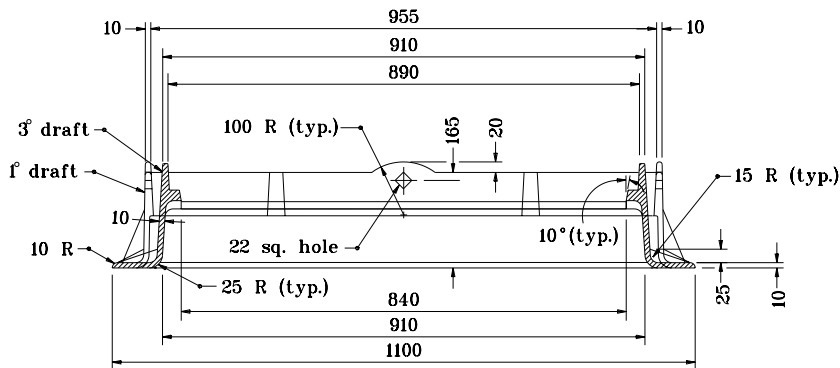
PLAN



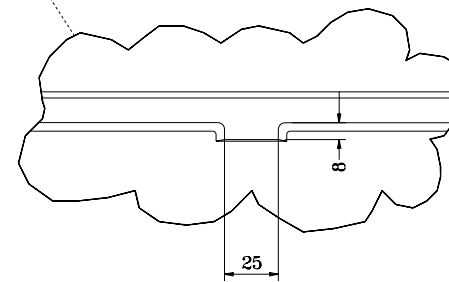
SECTION B-B



DETAIL A



SECTION A-A



DETAIL B

All dimensions are in mm unless otherwise specified.

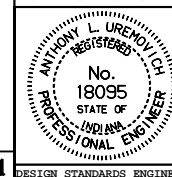
INDIANA DEPARTMENT OF TRANSPORTATION

CASTINGS TYPE 10

FRAME

SEPTEMBER 1998

STANDARD DRAWING NO. 720-ICCA-08



/s/ Anthony L. Uremovich 9-01-98
DESIGN STANDARDS ENGINEER DATE

/s/ Donald W. Lucas 9-01-98
CHIEF HIGHWAY ENGINEER DATE

Source Sheet: MC1