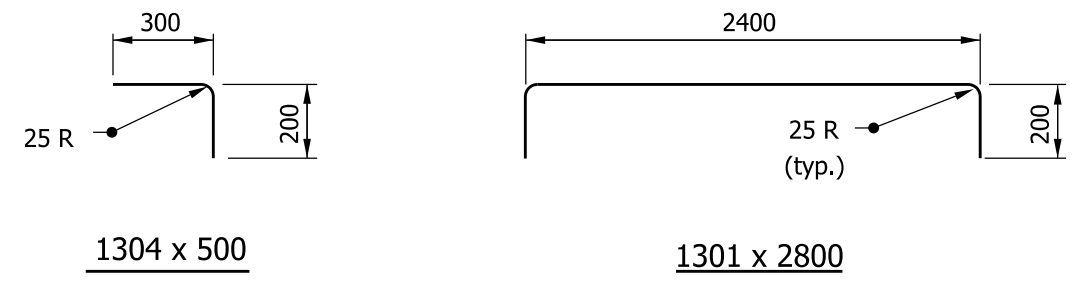
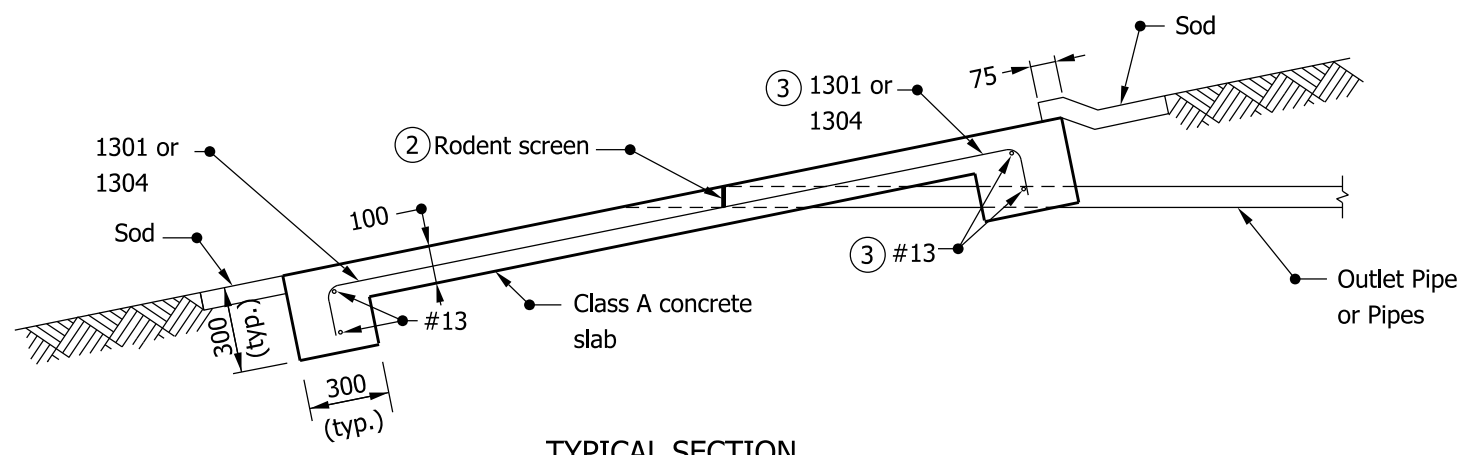
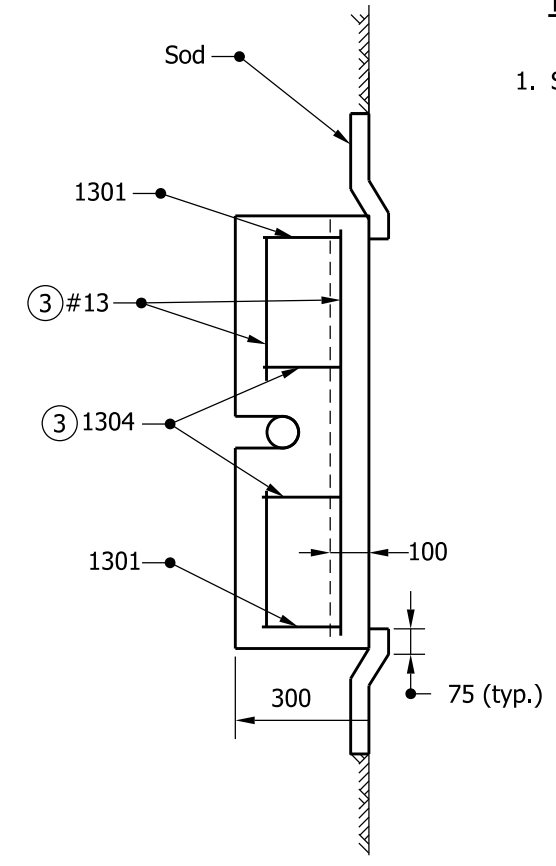
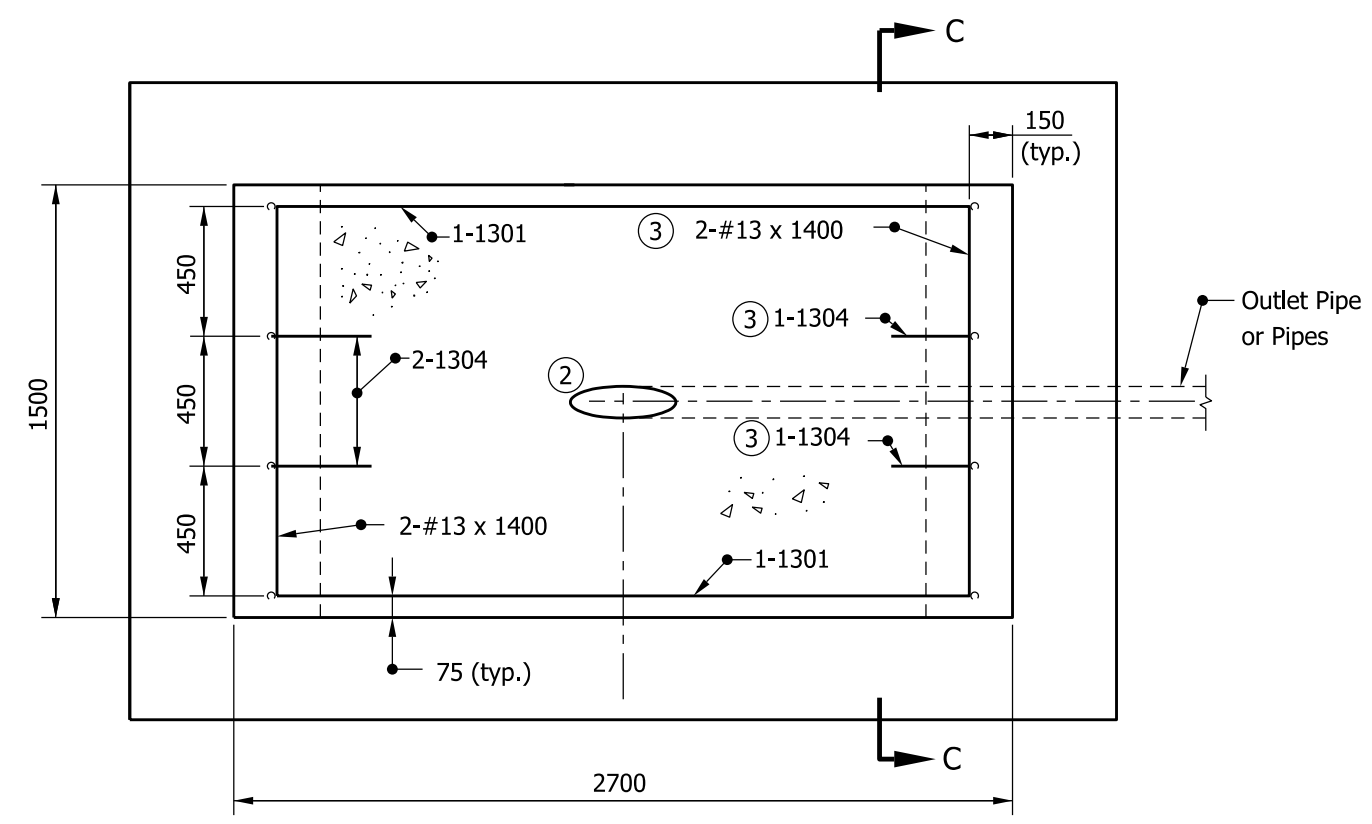


NOTE:

1. See Standard Drawing 718-UNDR-07 for General Notes.



All Dimensions are in mm unless otherwise specified.

INDIANA DEPARTMENT OF TRANSPORTATION	
OUTLET PROTECTOR, TYPE 1	
SEPTEMBER 2009	
STANDARD DRAWING NO.	718-UNDR-03
	/s/ <i>Richard L. VanCleave</i> 09/01/09 DESIGN STANDARDS ENGINEER DATE
	/s/ <i>Mark A. Miller</i> 09/01/09 CHIEF HIGHWAY ENGINEER DATE
DESIGN STANDARDS ENGINEER	