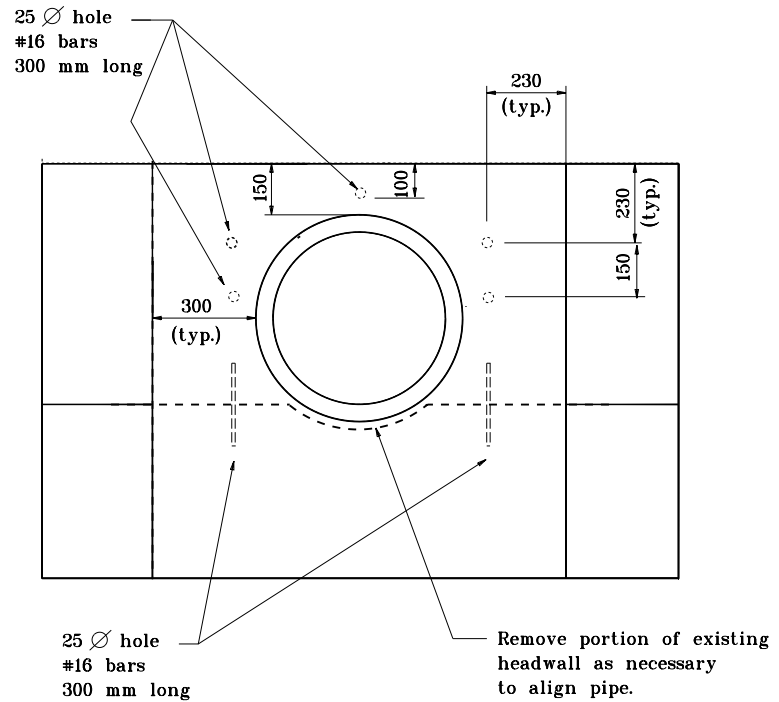


SIDE VIEW



END VIEW

NOTES:

1. For other types of pipe end structures and pipes larger than 825 mm \varnothing , collar details are shown on the plans.
2. Remove portions of existing headwall if required to maintain 100 mm ground cover.

All dimensions are in mm unless otherwise specified.

INDIANA DEPARTMENT OF TRANSPORTATION	
CONCRETE COLLAR FOR PIPE EXTENSION	
JANUARY 1998	
STANDARD DRAWING NO. 715-PCEX-01	
	/s/ Anthony L. Uremovich 1-02-98 DESIGN STANDARDS ENGINEER DATE
DESIGN STANDARDS ENGINEER	/s/ Donald W. Lucas 1-02-98 CHIEF HIGHWAY ENGINEER DATE

Source Sheet: MU