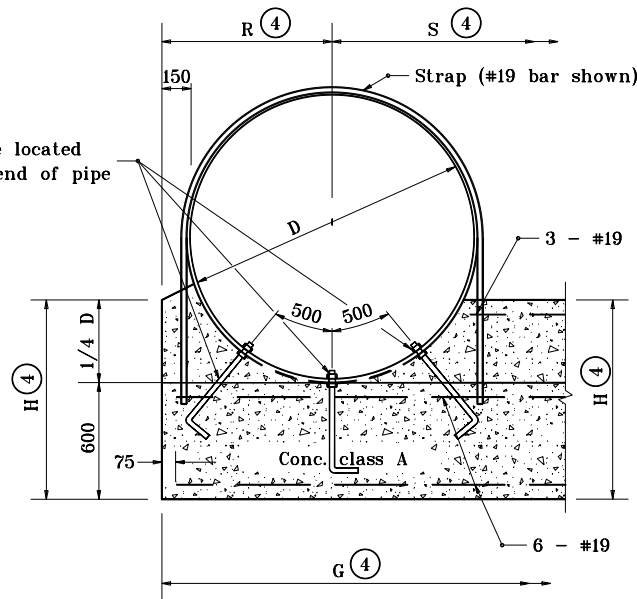
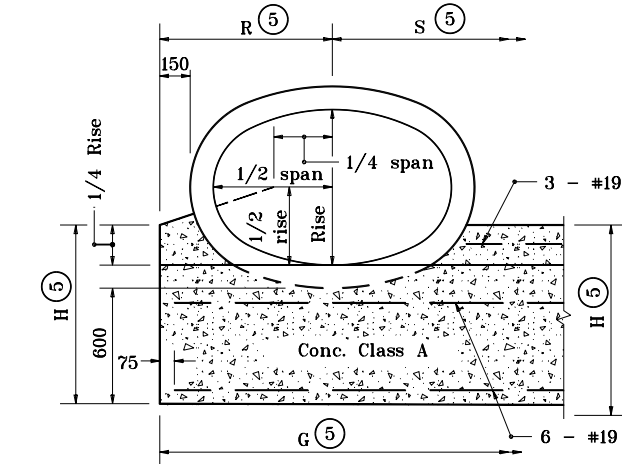


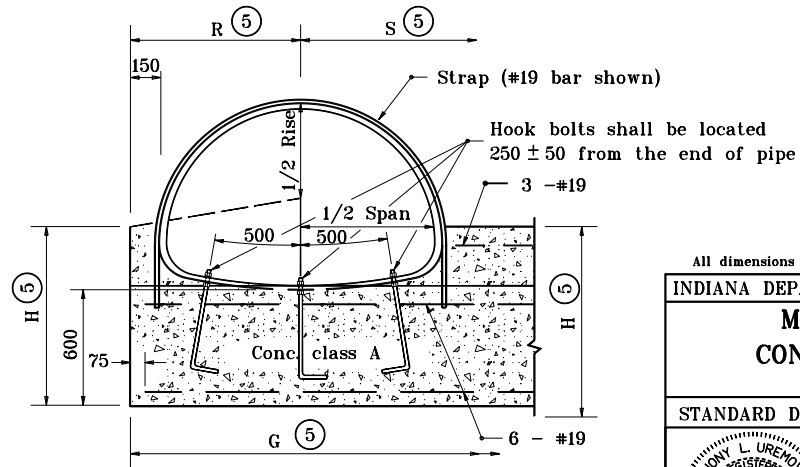
**ANCHOR FOR  
REINFORCED CONCRETE PIPE  
PARTIAL ELEVATION**



**ANCHOR FOR  
CORRUGATED METAL PIPE  
PARTIAL ELEVATION**



**ANCHOR FOR  
REINFORCED CONCRETE HORIZONTAL ELLIPTICAL PIPE  
PARTIAL ELEVATION**



**ANCHOR FOR CORRUGATED METAL PIPE-ARCH  
PARTIAL ELEVATION**

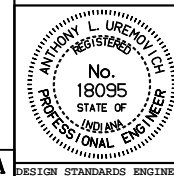
**GENERAL NOTES**

1. Anchor straps shall be used at both upstream and downstream ends of all C.M. pipes with a diameter or span of 1000 or greater.
2. Hook bolts and anchor straps shall be used for all C.M. pipes with a diameter or span of 2200 or greater.
3. Riprap shall be placed at the ends of pipe structures when shown on the plans.
- ④ For dimension, enter chart on Standard Drawing 715-ANCH-01 with known dimension D.
- ⑤ For dimension, enter chart on Standard Drawing 715-ANCH-02 with known span and rise.

**LEGEND**

C.M. = Corrugated Metal

All dimensions are in mm unless otherwise specified.  
**INDIANA DEPARTMENT OF TRANSPORTATION**  
**MULTIPLE PIPE**  
**CONCRETE ANCHOR**  
 JANUARY 1998  
 STANDARD DRAWING NO. 715-MPCA-02



/s/ Anthony L. Uremovich 1-02-98  
 DESIGN STANDARDS ENGINEER DATE

/s/ Donald W. Lucas 1-02-98  
 CHIEF HIGHWAY ENGINEER DATE