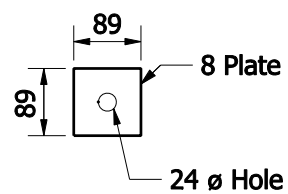


CONNECTION DETAILS



BACKING PLATE
Skewed Structure Only

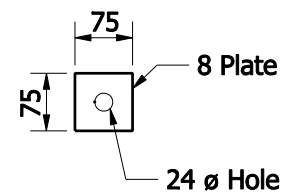
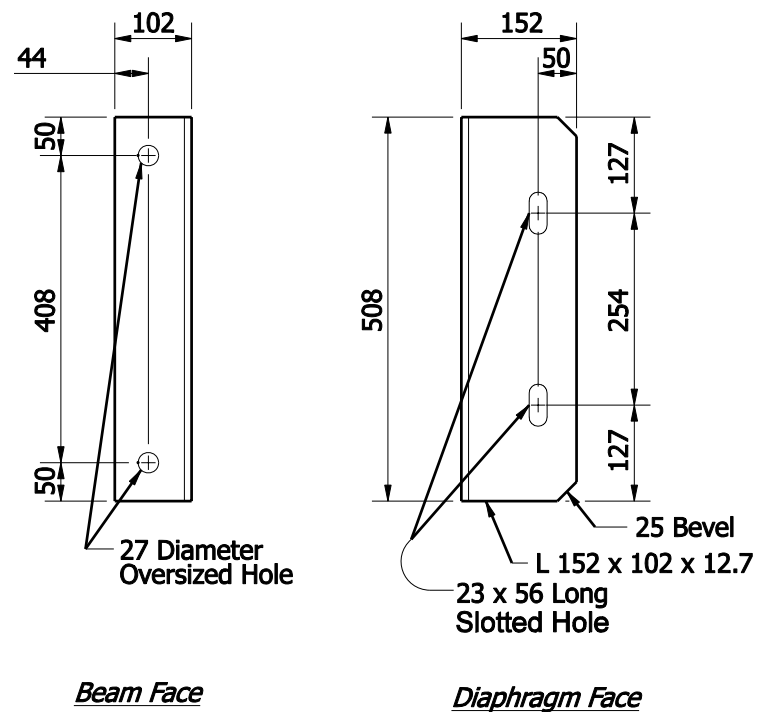
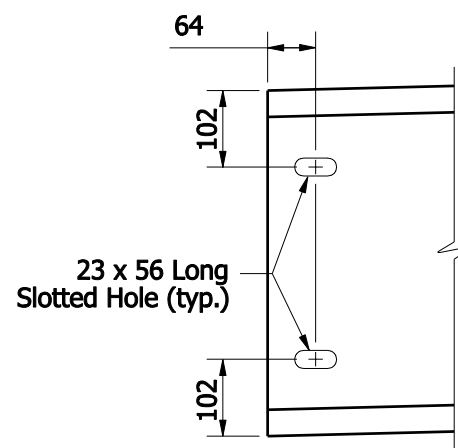


PLATE WASHER



CLIP ANGLE



CHANNEL END

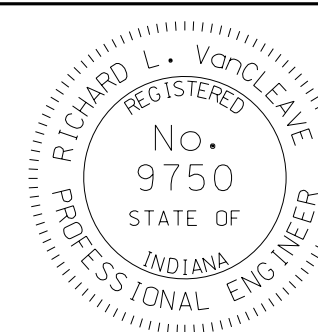
All Dimensions are in mm unless otherwise specified.

INDIANA DEPARTMENT OF TRANSPORTATION

**STEEL DIAPHRAGMS
INDIANA BULB-TEES, 1372-mm DEPTH**

SEPTEMBER 2007

STANDARD DRAWING NO. 707-SDPC-04



DESIGN STANDARDS ENGINEER

/s/ Richard L. VanCleave 09/04/07
DESIGN STANDARDS ENGINEER DATE

/s/ Mark A. Miller 09/04/07
CHIEF HIGHWAY ENGINEER DATE