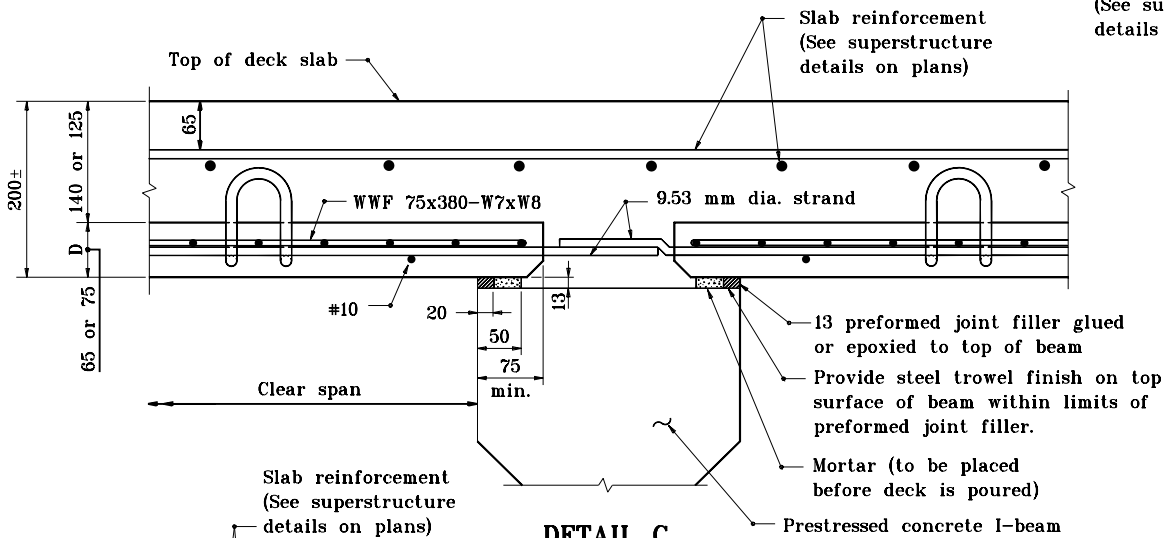
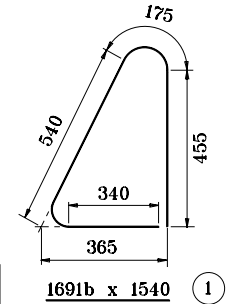
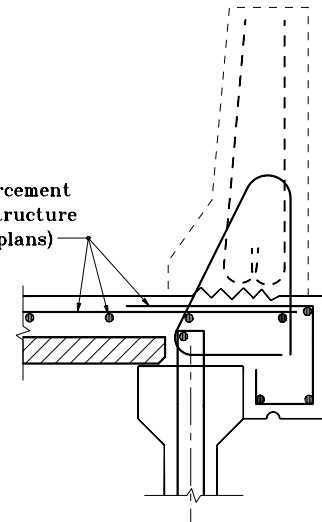


PART SECTION

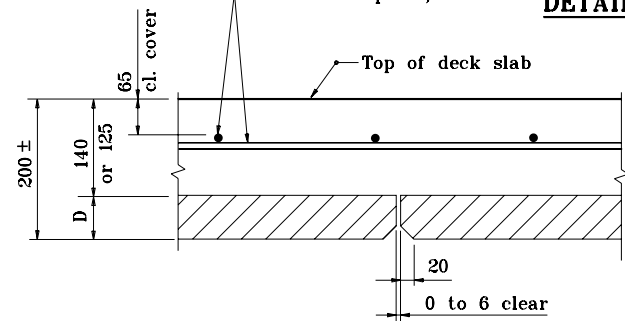
Slab reinforcement
(See superstructure
details on plans)



DETAIL C



DETAIL D



TYPICAL JOINT DETAIL BETWEEN DECK PANELS

NOTES :

- ① Use bending bar 1691b instead of 1691a to clear deck panel if required.
2. See Standard Drawing 707-BPDP-01 for Plan and sections and 707-BPDP-02 for General Notes.
3. Details for skewed panels are on the Standard Drawing 707-BPDP-05.

All dimensions are in mm unless otherwise specified.

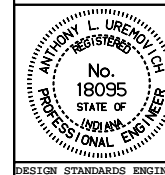
INDIANA DEPARTMENT OF TRANSPORTATION

PRECAST DECK PANEL

DETAILS

MAY 2000

STANDARD DRAWING NO. **707-BPDP-04**



/s/ Anthony L. Uremovich 5-01-00
DESIGN STANDARDS ENGINEER DATE

/s/ Firooz Zandi 5-01-00
CHIEF HIGHWAY ENGINEER DATE

DESIGN STANDARDS ENGINEER