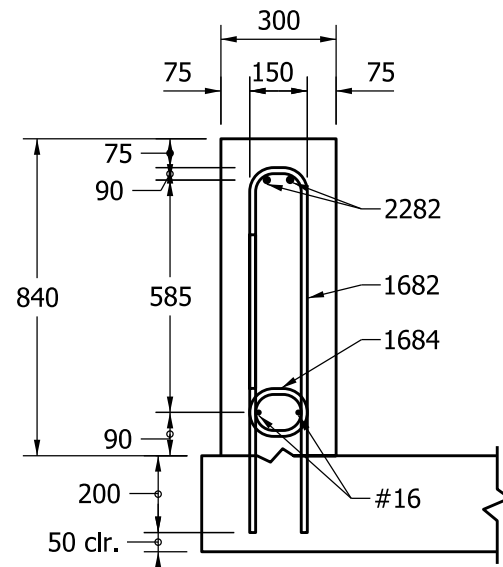
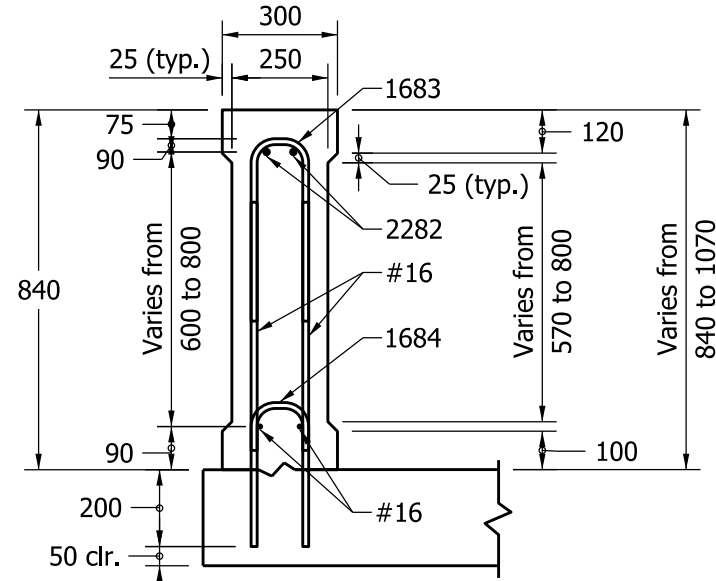


**Notes:**

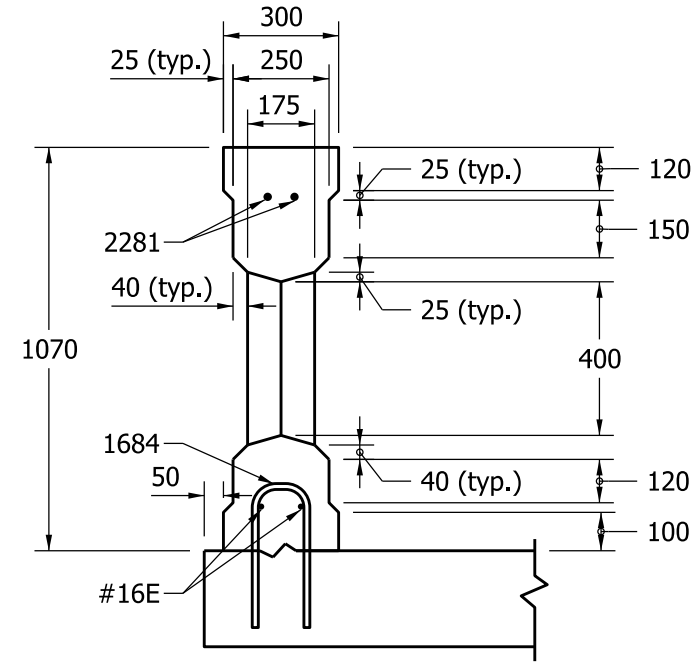
1. See Standard Drawing E 706-TTBP-09 for general notes.



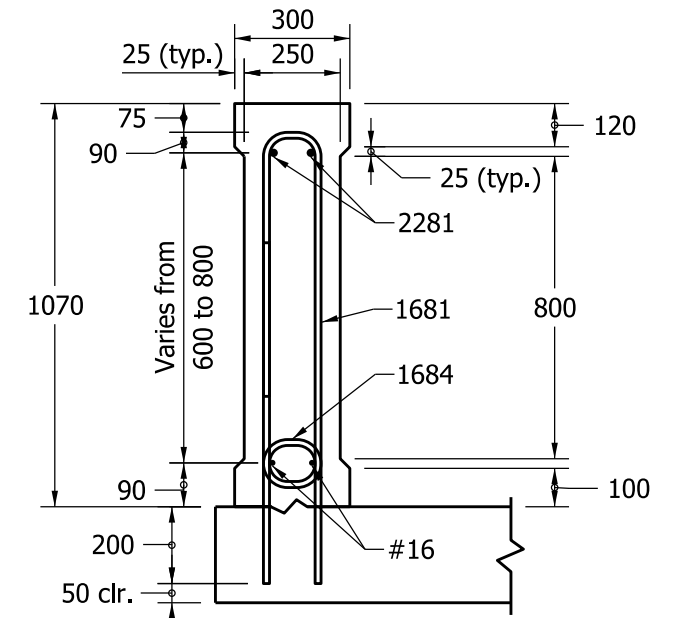
**SECTION D-D**



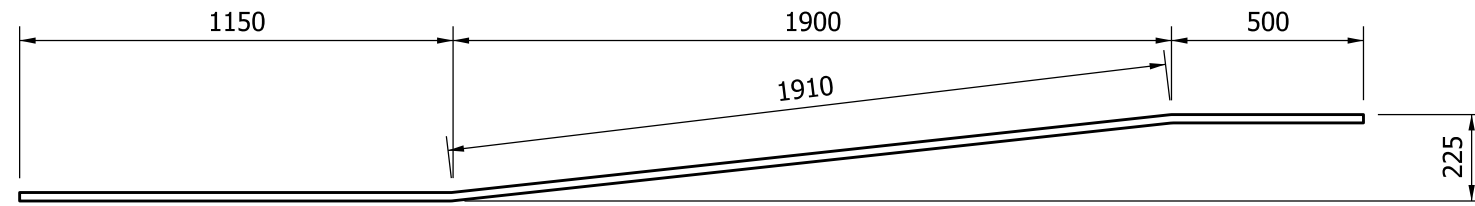
**SECTION C-C**



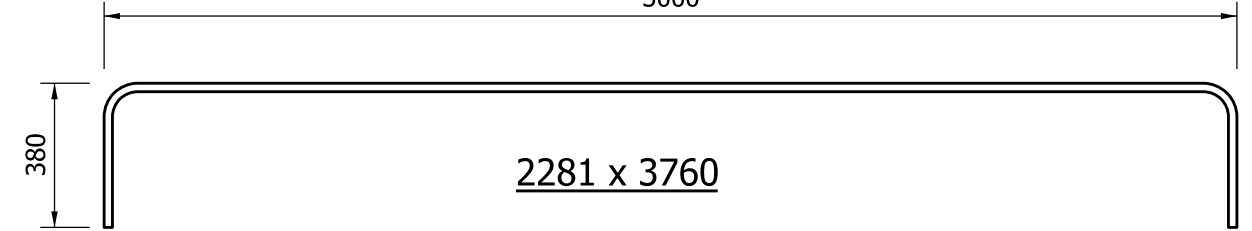
**SECTION B-B**



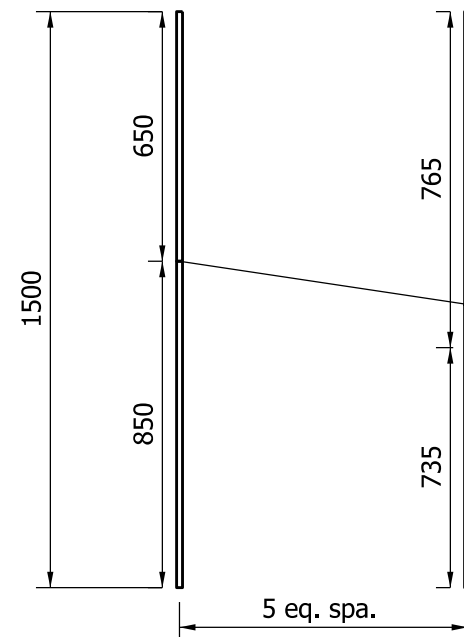
**SECTION A-A**



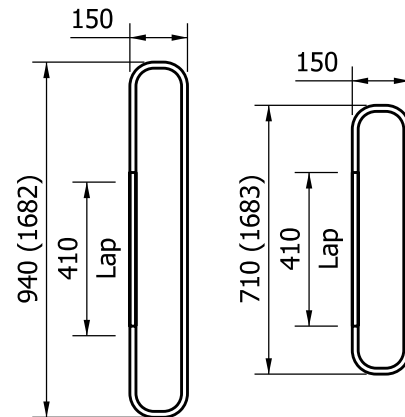
**2282 x 3560**



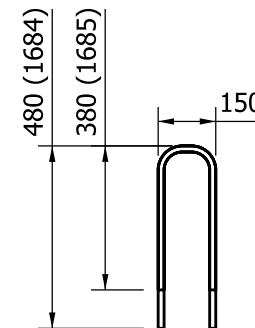
**2281 x 3760**



**#16 x 1500  
CUTTING DIAGRAM**



**1681 x 2600  
1682 x 2140**



**1683 x 1120  
1684 x 920**

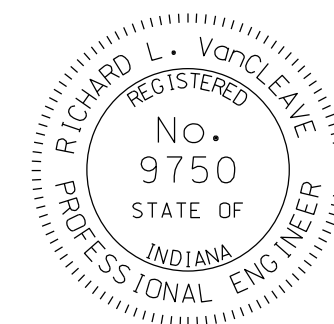
All Dimensions are in mm unless otherwise specified.

INDIANA DEPARTMENT OF TRANSPORTATION

CONCRETE BRIDGE RAILING  
TRANSITION, TTX

SEPTEMBER 2009

STANDARD DRAWING NO. 706-TTXX-02



DESIGN STANDARDS ENGINEER

*/s/ Richard L. VanCleave* 09/01/09  
DESIGN STANDARDS ENGINEER DATE

*/s/ Mark A. Miller* 09/01/09  
CHIEF HIGHWAY ENGINEER DATE