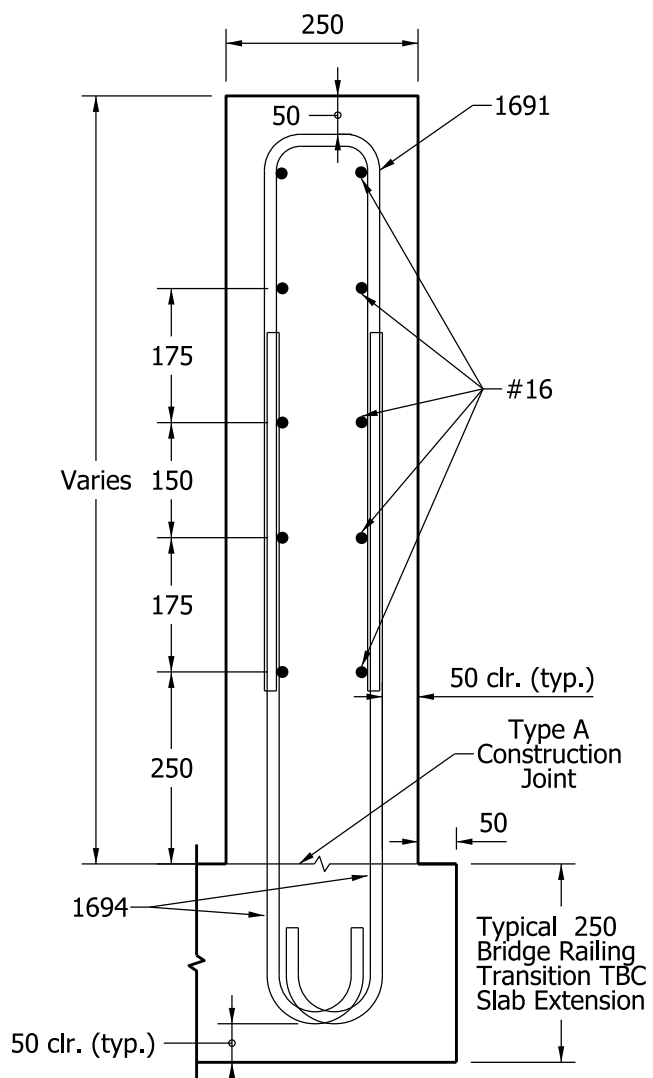
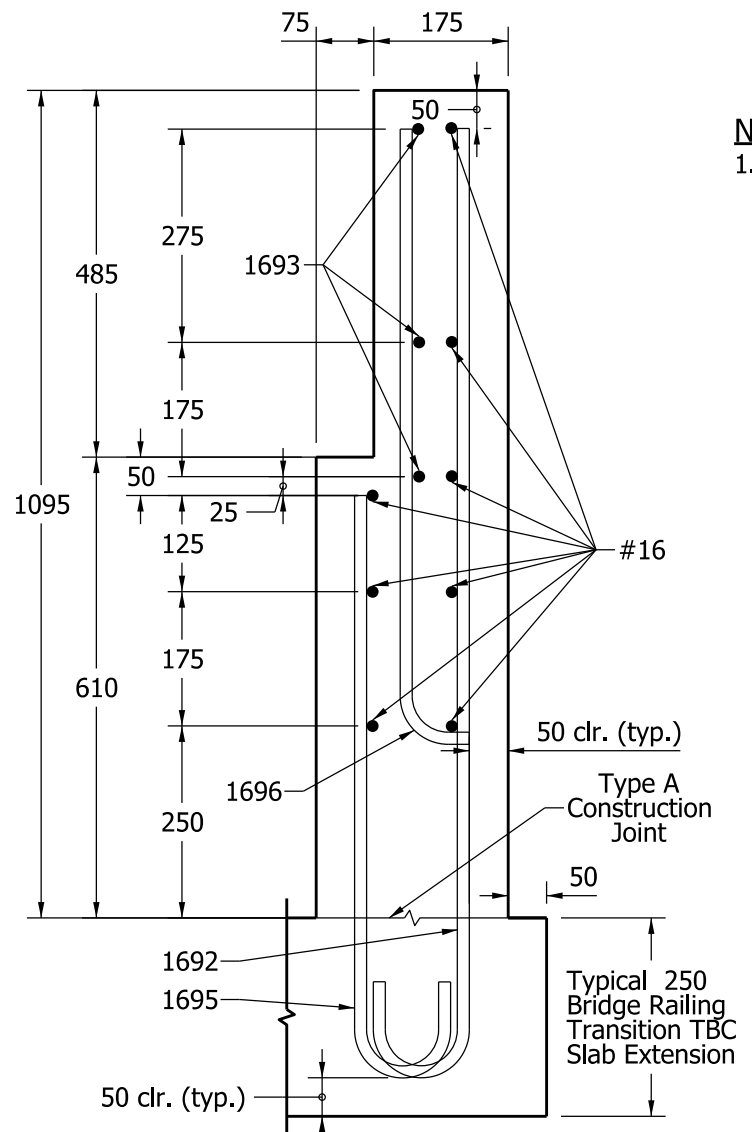


Section A - A

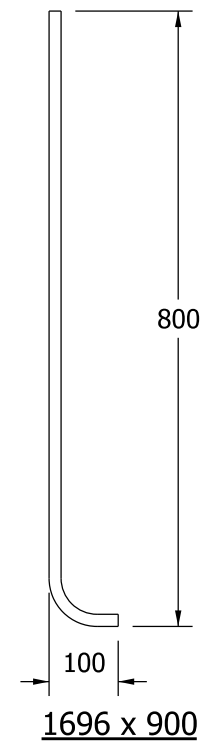


Section B - B



Section C - C

NOTES:
1. See Standard Drawing 706-TTBP-09 for general notes.



All Dimensions are in mm unless otherwise specified.

INDIANA DEPARTMENT OF TRANSPORTATION	
CONCRETE BRIDGE RAILING TRANSITION, TPF-1	
SEPTEMBER 2009	
STANDARD DRAWING NO. 706-TTBP-02	
	<p><i>/s/ Richard L. VanCleave</i> 09/01/09 DESIGN STANDARDS ENGINEER DATE</p> <p><i>/s/ Mark A. Miller</i> 09/01/09 CHIEF HIGHWAY ENGINEER DATE</p>
DESIGN STANDARDS ENGINEER	

