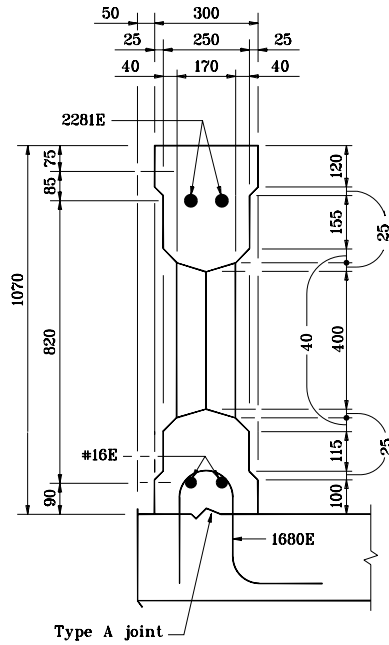
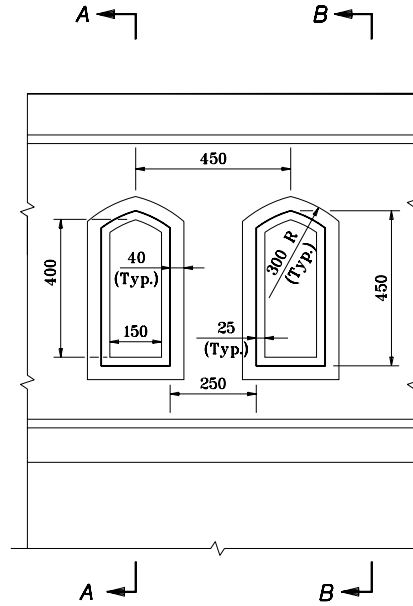


NOTES

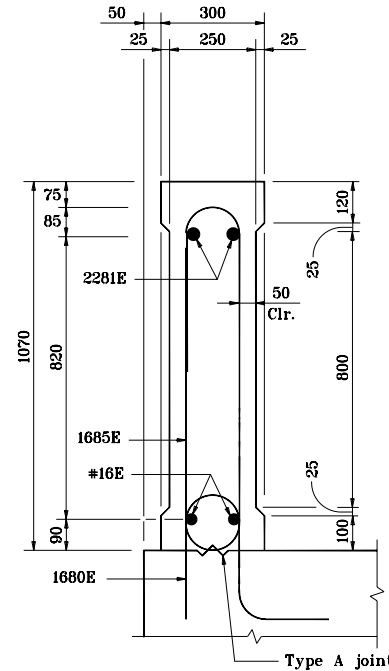
I. All reinforcing bars designated "E" shall be epoxy coated.



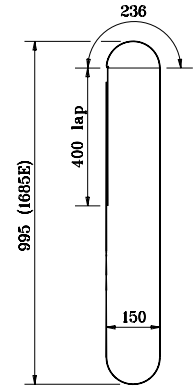
SECTION A-A



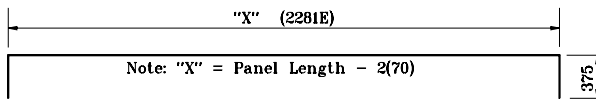
ELEVATION



SECTION B-B



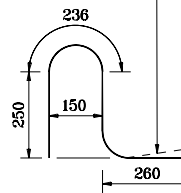
1685E x 2562



Note: "X" = Panel Length - 2(70)

2281E x "X" + 750

Bend as necessary
for metal deck forms



1680E x 963

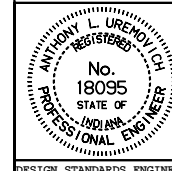
All dimensions are in mm unless otherwise specified.

INDIANA DEPARTMENT OF TRANSPORTATION

RAILING, TX
(WINDOW DETAILS)

MAY 2000

STANDARD DRAWING NO. 706-BRTX-03



/s/ Anthony L. Uremovich 5-01-00
DESIGN STANDARDS ENGINEER DATE

/s/ Firooz Zandi 5-01-00
CHIEF HIGHWAY ENGINEER DATE

DESIGN STANDARDS ENGINEER