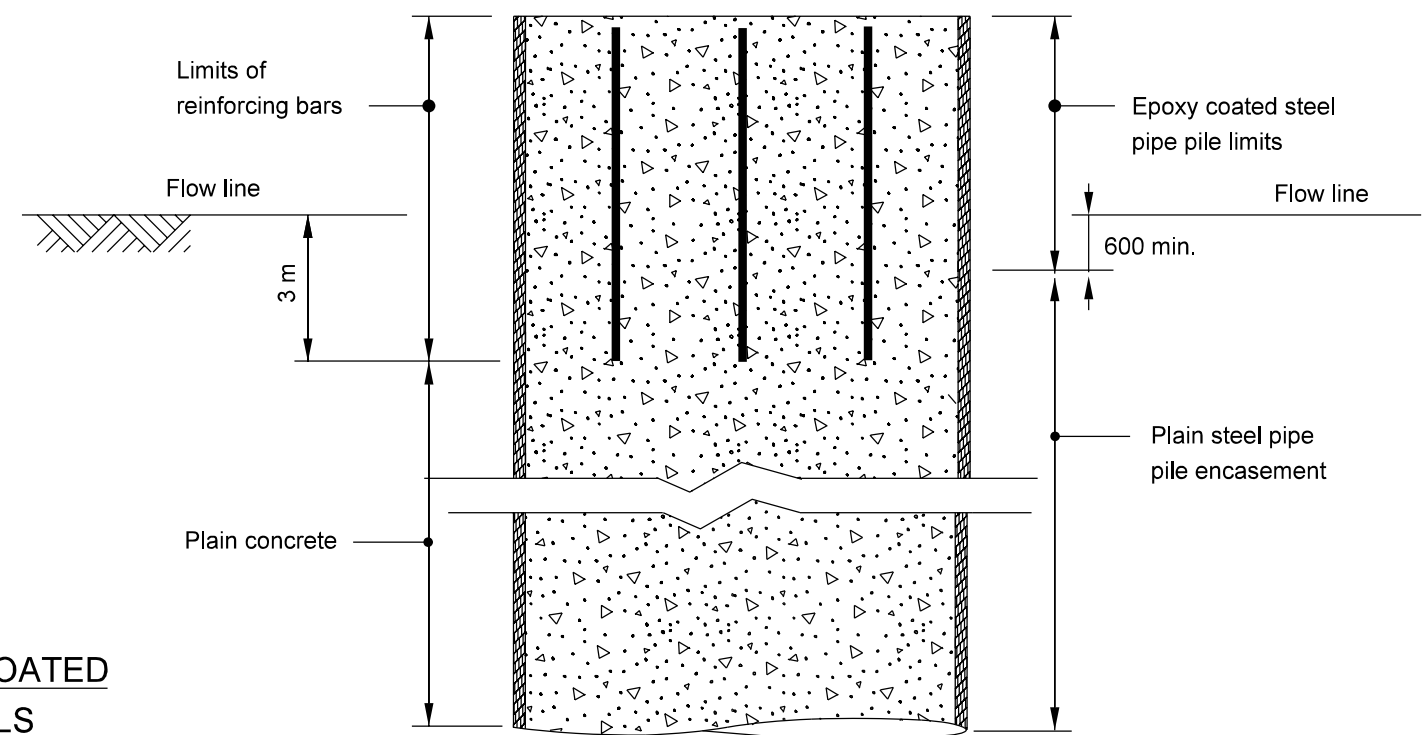
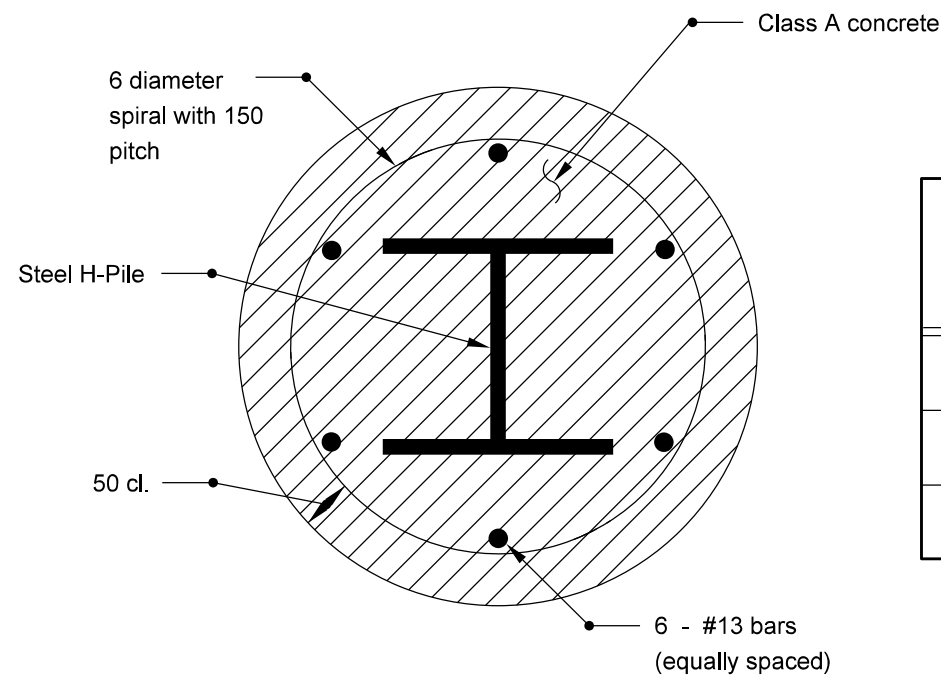


PLAN

**REINFORCED-CONCRETE FILLED EPOXY-COATED
STEEL PIPE PILE ENCASEMENT DETAILS**



SECTION A-A



PLAN

**STEEL H - PILES
REINFORCED-CONCRETE ENCASEMENT DETAIL**

TABLE OF MATERIALS

Steel H-Pile designation	Minimum pile diameter	Reinforcing bars, kg/m	Class A concrete, m ³ /m
HP 360	700	5.96	0.38
HP 310	610	5.96	0.29
HP 250	540	5.96	0.23

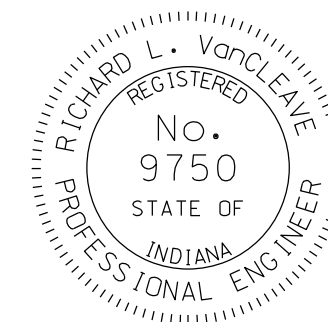
All Dimensions are in mm unless otherwise specified.

INDIANA DEPARTMENT OF TRANSPORTATION

REINFORCED-CONCRETE
ENCASEMENT FOR PILES

SEPTEMBER 2009

STANDARD DRAWING NO. 701-BPIL-02



DESIGN STANDARDS ENGINEER

/s/ Richard L. VanCleave 09/01/09
DESIGN STANDARDS ENGINEER DATE

/s/ Mark A. Miller 09/01/09
CHIEF HIGHWAY ENGINEER DATE