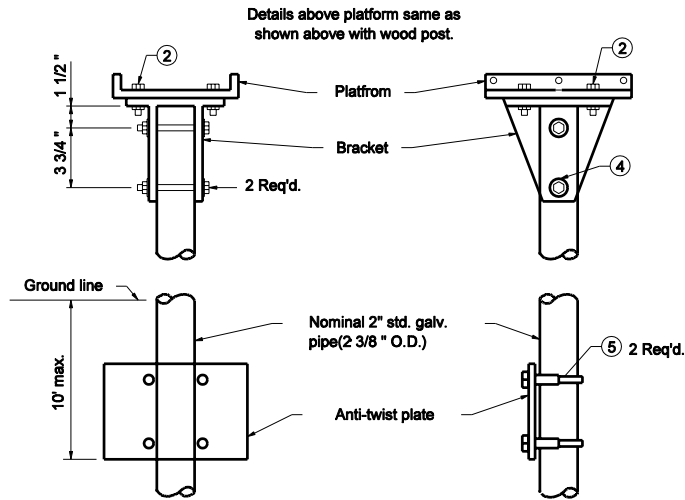


WITH WOOD POST



WITH PIPE POST

LEGEND

- ① #8-32 x "L" truss head machine screw with two #8 flat washers, #8 lock washers, and #8 hex nut.
- ② 5/16"-18 x 3/4" hex cap screw with two 5/16" flat washers, 5/16" lock washer and 5/16" hex nut.
- ③ 5/16"-18 x 4 1/2" hex cap screw with two 5/16" flat washers, 5/16" lock washer, and 5/16" hex nut.
- ④ 5/16"-18 x 3" hex cap screw with two 5/16" flat washers, 5/16" lock washer, and 5/16" hex nut.
- ⑤ Nominal 2 3/4" muffer clamp
- ⑥ For platform, bracket, shelf, spacer and anti-twist plate details, see Standard Drawing E 611-MBAS-03.

INDIANA DEPARTMENT OF TRANSPORTATION	
SINGLE MAILBOX ASSEMBLY	
MARCH 2005	
STANDARD DRAWING NO. E 611-MBAS-01	
	<i>/s/ Richard L. VanCleave</i> 3-01-05 DESIGN STANDARDS ENGINEER DATE
	<i>/s/ Richard K. Smutzer</i> 3-01-05 CHIEF HIGHWAY ENGINEER DATE
DESIGN STANDARDS ENGINEER	