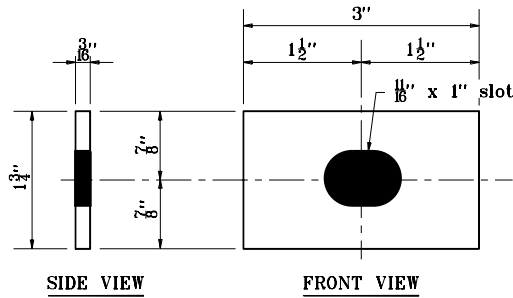
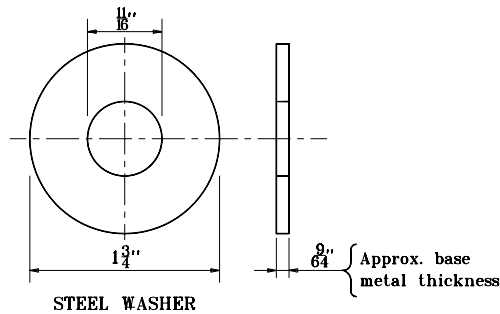


5/8" BUTTON HEAD BOLT

L	THREAD LENGTH
1 1/4"	Full Length Thread
2"	1 1/2" Min. Thread Length
3 1/2"	1 3/4" Min. Thread Length
1'-6"	2 1/2" Min. Thread Length
2'-1"	2" Min. Thread Length



RECTANGULAR PLATE WASHER



WASHER FOR 5/8" BOLT

INDIANA DEPARTMENT OF TRANSPORTATION	
W-BEAM GUARDRAIL COMPONENTS	
MAY 2000	
STANDARD DRAWING NO. E 601-WBGC-02	
	/s/ Anthony L. Uremovich 5-01-00 DESIGN STANDARDS ENGINEER DATE
	/s/ Firooz Zandi 5-01-00 CHIEF HIGHWAY ENGINEER DATE
DESIGN STANDARDS ENGINEER	