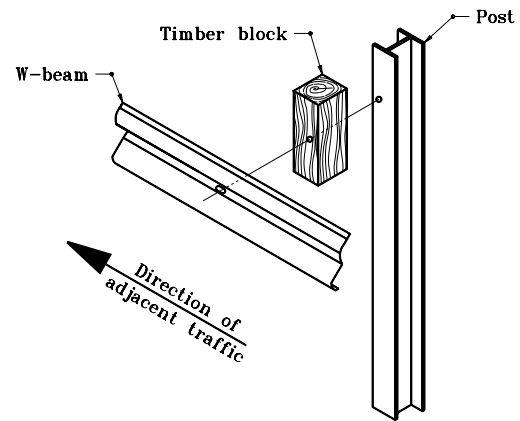


**W-BEAM SPLICE CONNECTION
DETAIL AT POST**

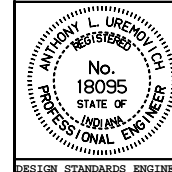


**W-BEAM SPLICE CONNECTION DETAIL
AT POST FOR NON-SPLICE CONNECTIONS**

INDIANA DEPARTMENT OF TRANSPORTATION

**W-BEAM
GUARDRAIL ASSEMBLIES**
SEPTEMBER 1998

STANDARD DRAWING NO. **E 601-WBGA-03**



DETAILS PLACED IN THIS FORMAT 11-15-99

/s/ Anthony L. Uremovich 11-15-99
DESIGN STANDARDS ENGINEER DATE

/s/ Firooz Zandi 11-15-99
CHIEF HIGHWAY ENGINEER DATE

DESIGN STANDARDS ENGINEER

ORIGINALLY APPROVED 9-01-98