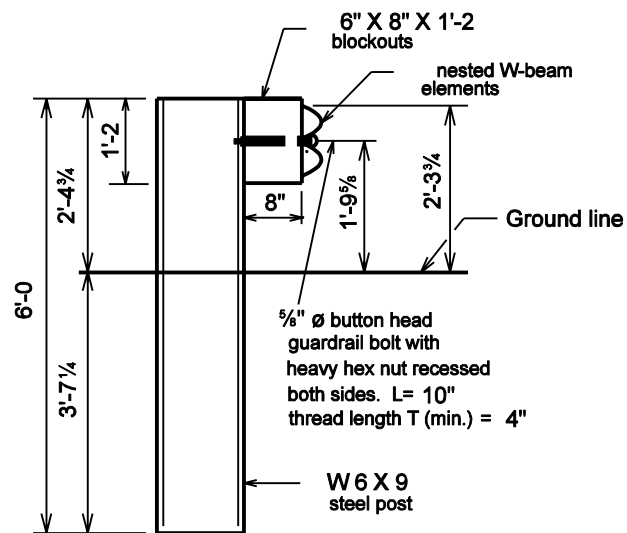


NESTED GUARDRAIL ASSEMBLY.
(Posts 5 to 10)



**STEEL POST AND BLOCK FOR USE WITH
NESTED GUARDRAIL ASSEMBLY**
(Posts 1 to 4 and 11 to 14)

INDIANA DEPARTMENT OF TRANSPORTATION		
NESTED GUARDRAIL ASSY. FOR STRUCTURE WIDTH ≤ 24'-3		
SEPTEMBER 2001		
STANDARD DRAWING NO. E 601-NWGA-02		
	/s/ Richard L. VanCleave DESIGN STANDARDS ENGINEER	9-04-01 DATE
	/s/ Firroz Zandi CHIEF HIGHWAY ENGINEER	9-04-01 DATE