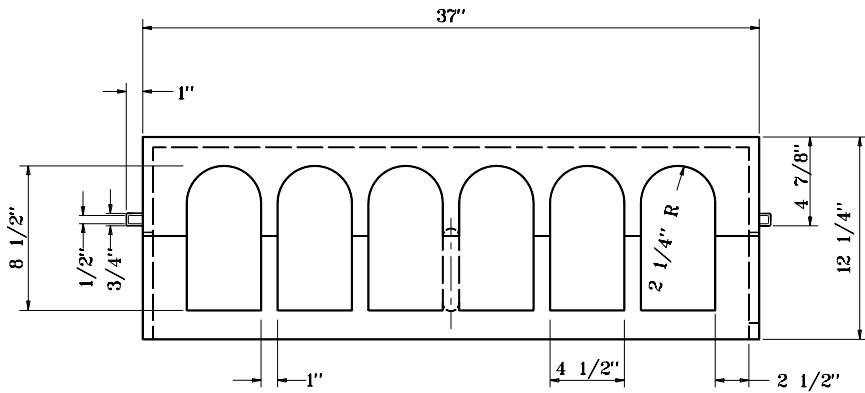
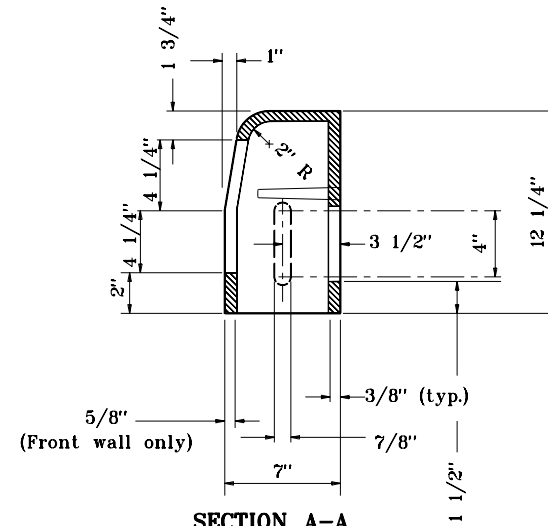


**GENERAL NOTES**

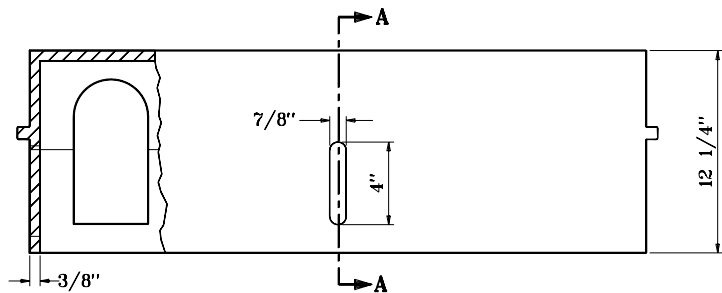
1. Curb box adjustable  
5 1/4" to 8 3/4".



**FRONT**

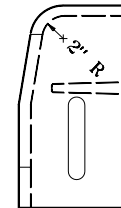


**SECTION A-A**



**BACK**

**CURB BOX  
CASTING 10**



**SIDE**

INDIANA DEPARTMENT OF TRANSPORTATION	
CASTING TYPE 10	
CURB BOX	
SEPTEMBER 1998	
STANDARD DRAWING NO. E 720-ICCA-09A	
	DETAILS PLACED IN THIS FORMAT 11-15-99
/s/ Anthony L. Uremovich REGISTERED PROFESSIONAL ENGINEER	11-15-99 DATE DESIGN STANDARDS ENGINEER
/s/ Firooz Zandi CHIEF HIGHWAY ENGINEER	11-15-99 DATE ORIGINAL APPROVED
DESIGN STANDARDS ENGINEER	9-01-98