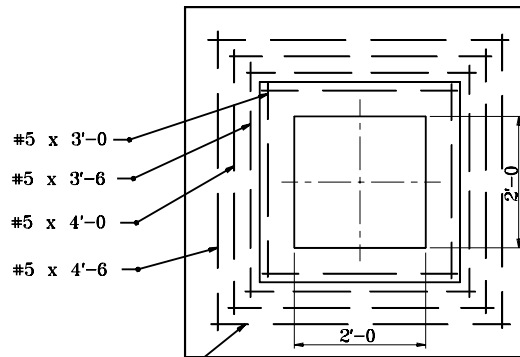
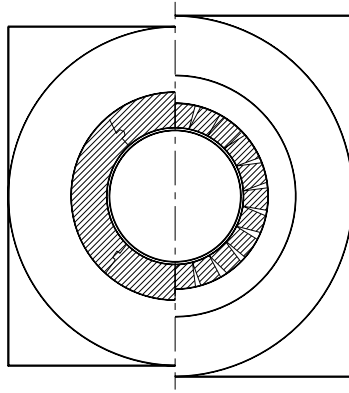


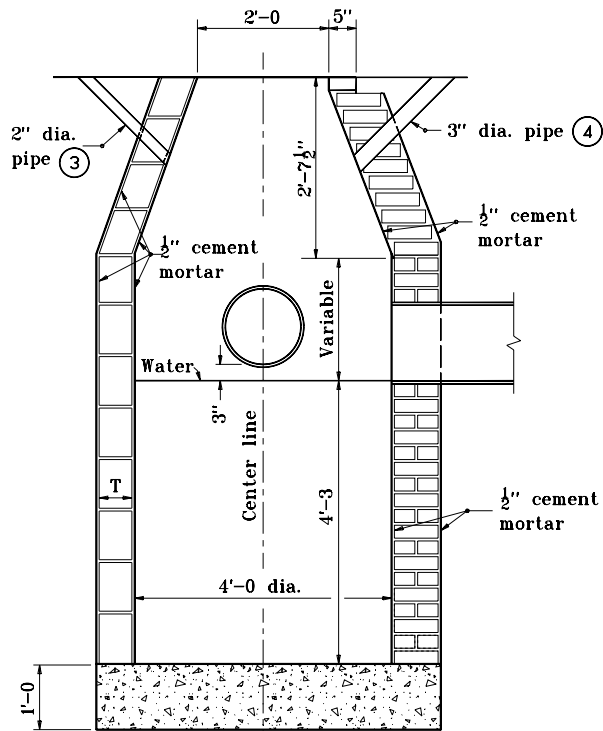
GENERAL NOTES

1. Brick, block, or concrete may be used.
2. Precast catch basin type W may be substituted for catch basin type A.
- ③ 2" dia. pipe drain from bottom of curb to inlet. Aggregate to be placed around inlet end of pipe.
- ④ 3" dia. pipe to be kept open for drainage of subgrade or base until surface is placed.
5. Reinforcement required if Dim. A < 2'-6". Reinforcement not required if Dim. A ≥ 2'-6".

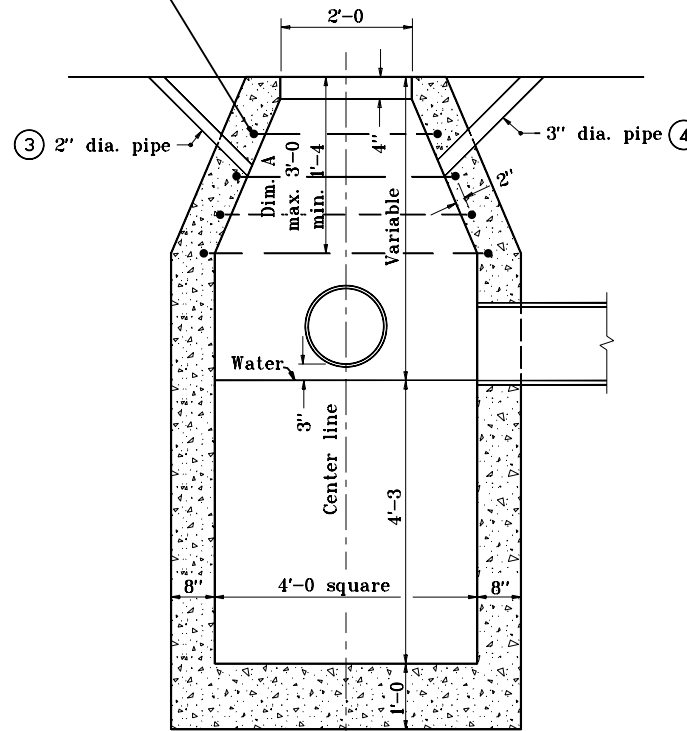


#5 x 3'-0
 #5 x 3'-6
 #5 x 4'-0
 #5 x 4'-6

#5 ea. layer



BRICK OR BLOCK



CONCRETE

INDIANA DEPARTMENT OF TRANSPORTATION	
CATCH BASIN TYPE A	
SEPTEMBER 1997	
STANDARD DRAWING NO. E 720-CBST-01	
	DETAILS PLACED IN THIS FORMAT 11-15-99 /s/ Anthony L. Uremovich 11-15-99 DESIGN STANDARDS ENGINEER DATE
DESIGN STANDARDS ENGINEER	/s/ Firooz Zandi 11-15-99 CHIEF HIGHWAY ENGINEER DATE ORIGINALLY APPROVED 9-02-97