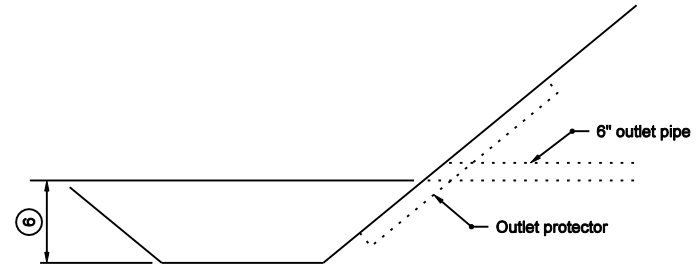
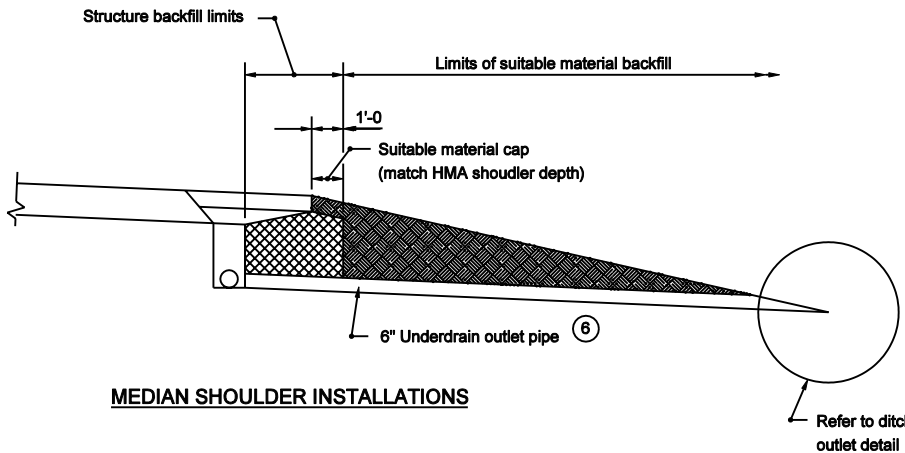


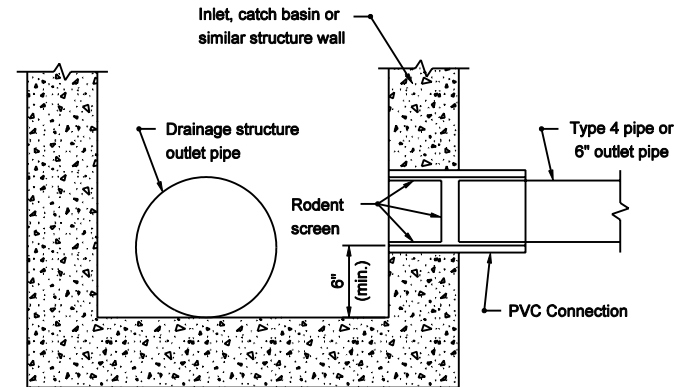
OUTSIDE SHOULDER INSTALLATIONS



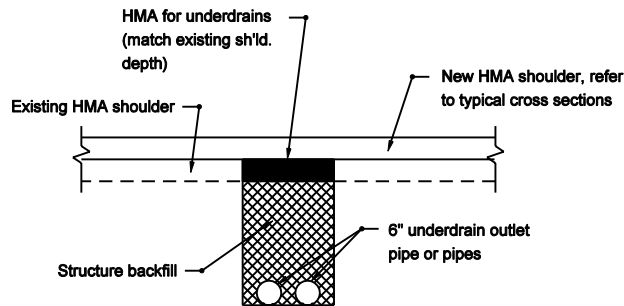
DITCH OUTLET DETAIL



MEDIAN SHOULDER INSTALLATIONS



DRAINAGE STRUCTURE OUTLET DETAIL



RETROFIT UNDERDRAIN OUTLET DETAIL (UNDER PAVED SHOULDER)

NOTE:

1. Standard Drawing E 718-UNDR-07 for General Notes pertaining to this sheet.

INDIANA DEPARTMENT OF TRANSPORTATION	
UNDERDRAIN DETAILS	
MARCH 2003	
STANDARD DRAWING NO. E 718-UNDR-02	
	<i>/s/ Anthony L. Uremovitch</i> 3-03-03 DESIGN STANDARDS ENGINEER DATE
	<i>/s/ Richard K. Smutzer</i> 3-03-03 CHIEF HIGHWAY ENGINEER DATE
DESIGN STANDARDS ENGINEER	