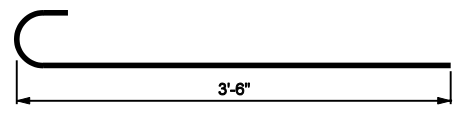
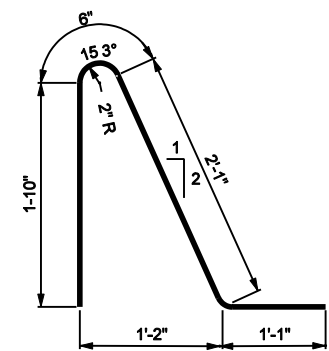


NOTE

1. See Standard Drawing E 706-BCBR-04 for General Notes.



593 x 4-1/2"



591a x 5'-6"

INDIANA DEPARTMENT OF TRANSPORTATION	
TRUCK 45" HEIGHT CONCRETE BRIDGE RAILING	
MARCH 2003	
STANDARD DRAWING NO. E 706-BCBR-02	
	/s/ Richard L. VanCleave 3-03-03 DESIGN STANDARDS ENGINEER DATE
	/s/ Richard K. Smutzer 3-03-03 CHIEF HIGHWAY ENGINEER DATE
DESIGN STANDARDS ENGINEER	