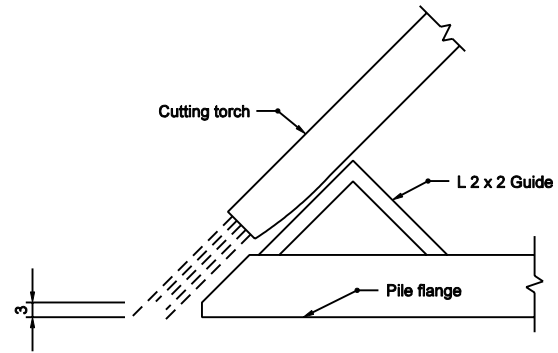
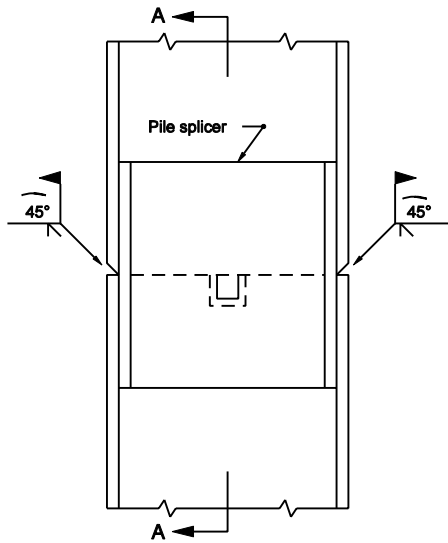


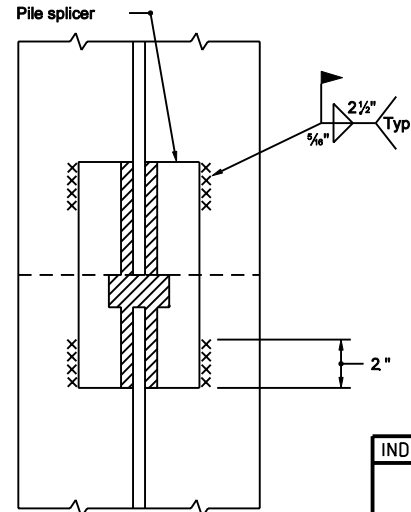
PLAN



SUGGESTED METHOD TO BEVEL FLANGE



ELEVATION



SECTION A-A

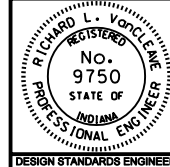
**ALTERNATE STEEL H PILE SPLICE
USING COMMERCIAL PILE SPLICER**

INDIANA DEPARTMENT OF TRANSPORTATION

**ALTERNATE STEEL
H-PILE SPLICE**

SEPTEMBER 2003

STANDARD DRAWING NO. E 701-BPIL-06



/s/ Richard L. VanCleave 9-02-03
DESIGN STANDARDS ENGINEER DATE

/s/ Richard K. Smutzer 9-02-03
CHIEF HIGHWAY ENGINEER DATE

DESIGN STANDARDS ENGINEER