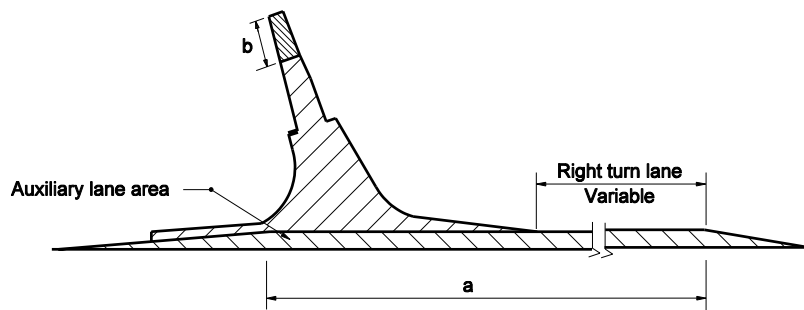


GENERAL NOTES


These notes are for Standard Drawings
E 610-PRAP-06 and E 610-PRAP-09.


- ① Embankment slopes built on either side of the approach within the mainline clear zone shall be based on the functional classification of the public road as follows:

ROAD CLASSIFICATION	DESIGN SPEED mph	DESIGN YEAR ADT	SLOPE
All Freeways and other Multi-Lane Divided Highways	All	All	10 : 1
Other roadways	≥ 55	≥ 6000	10 : 1
	≥ 55	< 6000	6 : 1
	≥ 45 to < 55	All	6 : 1
	< 45	≥ 12000	6 : 1
	< 45	< 12000	4 : 1



PAY LIMITS

2. Cross culverts under the public road approach which cannot be located outside the mainline clear zone will require appropriate end treatments at each end as shown on the plans.
3. If the approach is to be constructed of concrete, the details shall be as shown elsewhere in the plans for pavement thickness, joint type, and location.
- ④ The cross hatched  shoulder area indicates the limits where the shoulder is the same section as the approach pavement.
- ⑤ The pavement section for the auxiliary lane shall be as detailed elsewhere in the plans.
- ⑥ If the ADT for the public road is greater than 1000, the required pavement section shall be as shown elsewhere in the plans.
7. See Standard Drawing E 610 - PRAP - 07 for pay limit details.

INDIANA DEPARTMENT OF TRANSPORTATION	
PUBLIC ROAD APPROACH TYPE C - GENERAL NOTES	
MARCH 2006	
STANDARD DRAWING NO. E 610-PRAP-08	
	/s/ Richard L. VanCleave 3-01-06 DESIGN STANDARDS ENGINEER DATE
	/s/ Richard K. Smutzer 3-01-06 CHIEF HIGHWAY ENGINEER DATE
DESIGN STANDARDS ENGINEER	