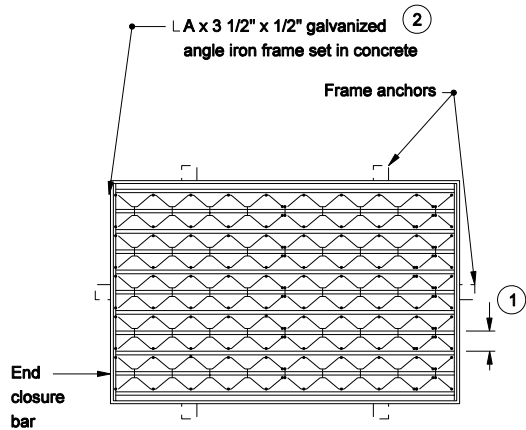
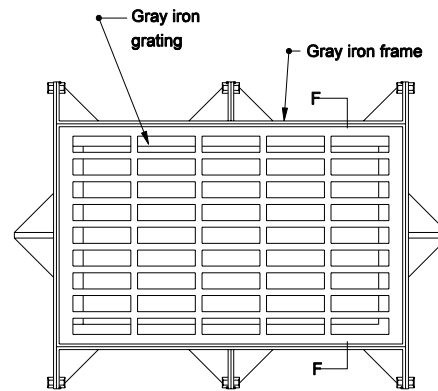


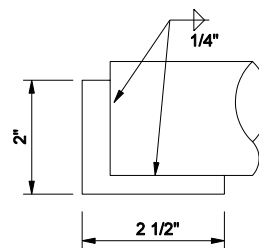
ALTERNATE STEEL GRATING
(To be used with steel frame type 12A)



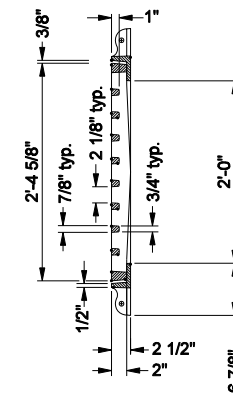
STEEL GRATING AND FRAME TYPE 12A



GRATE AND FRAME CASTING ALTERNATE TYPE 12A



SECTION E-E



SECTION F-F

GENERAL NOTES

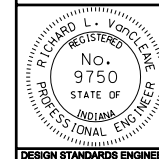
- 1 Spacing shall be $1 \frac{7}{8}$ " c. to c. min., and $2 \frac{3}{8}$ " c. to c. max.
- 2 The dimensions of the angle iron frame shall be as shown except that the A dimension may vary according to type of grating used.

INDIANA DEPARTMENT OF TRANSPORTATION

**STEEL GRATING TYPE 12A
FRAME AND GRATE**

SEPTEMBER 2005

STANDARD DRAWING NO. E 720-ICCA-12



/s/ Richard L. VanCleave 9-01-05
DESIGN STANDARDS ENGINEER DATE

/s/ Richard K. Smutzer 9-01-05
CHIEF HIGHWAY ENGINEER DATE

DESIGN STANDARDS ENGINEER