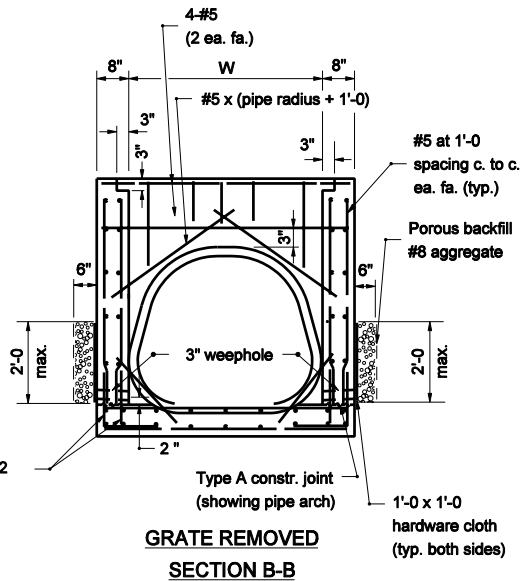
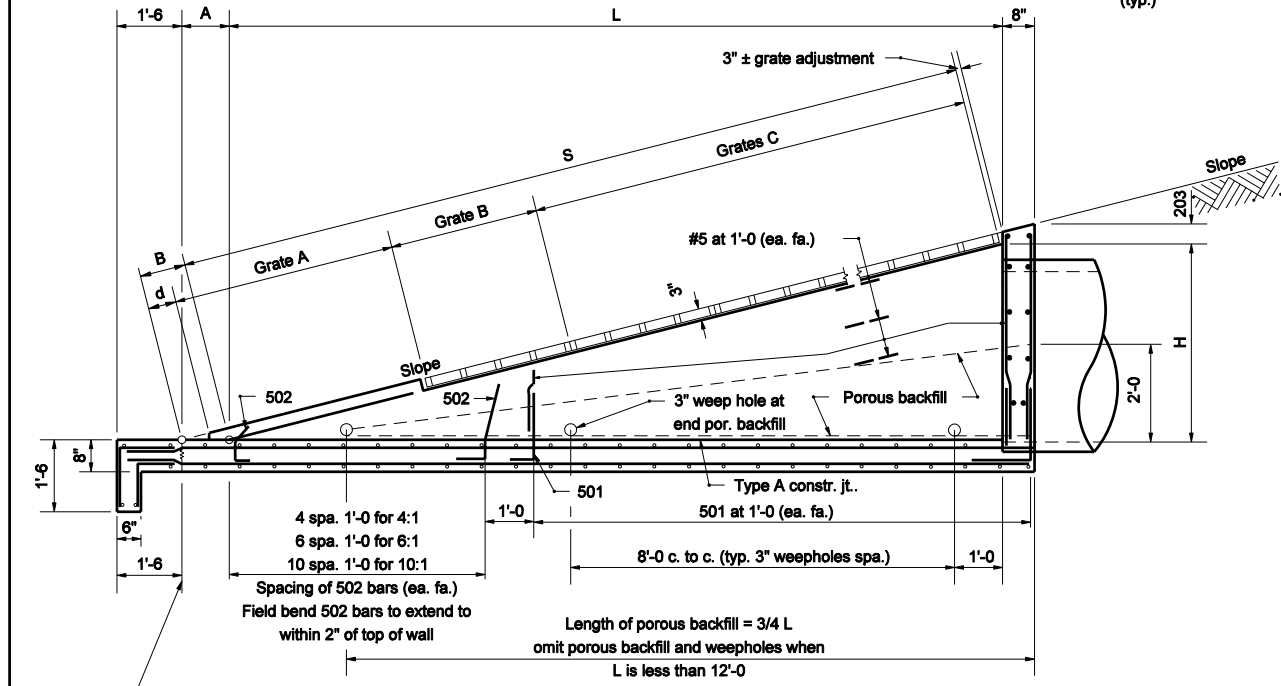


PLAN VIEW



GRATE REMOVED SECTION B-B



SECTION A-A

GENERAL NOTES

1. The invert grade of the grated box end section shall be the same as that of the pipe.
2. See Standard Drawings E 715-GBTT-05 and -06 for dimensions tables.
3. See Standard Drawing E 715-GBTT-02 for bending diagrams.
4. Type II grated box end sections shall be used for culverts parallel to the mainline within the clear zone.

INDIANA DEPARTMENT OF TRANSPORTATION	
GRATED BOX END SECTION TYPE II	
MARCH 2006	
STANDARD DRAWING NO. E 715-GBTT-03	
	/s/ Richard L. VanCleave 3-01-06 DESIGN STANDARDS ENGINEER DATE
	/s/ Richard K. Smutzer 3-01-06 CHIEF HIGHWAY ENGINEER DATE