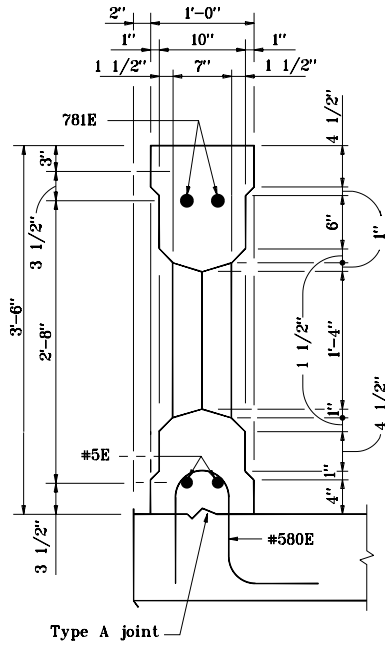
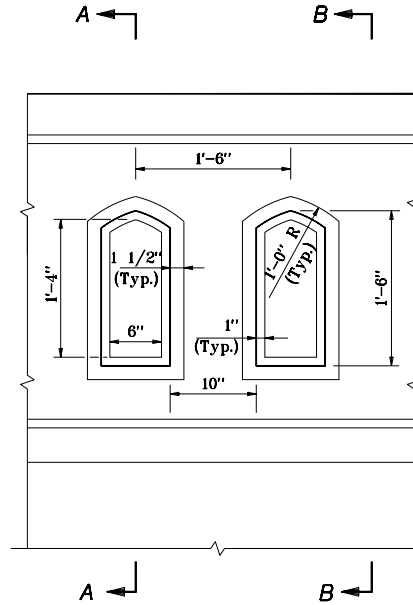


NOTES

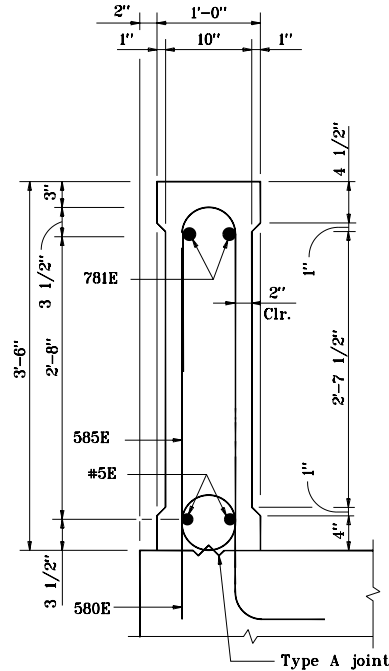
1. All reinforcing bars designated "E" shall be epoxy coated.



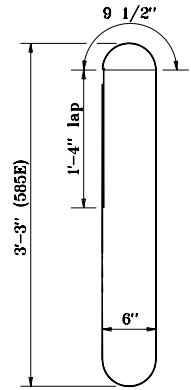
SECTION A-A



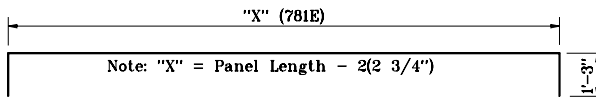
ELEVATION



SECTION B-B

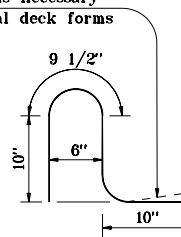


585E x 8'-5"



781E x "X" + 2'-6"

Bend as necessary
for metal deck forms



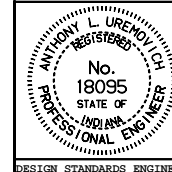
580E x 3'-2"

INDIANA DEPARTMENT OF TRANSPORTATION

RAILING, TX
(WINDOW DETAILS)

MAY 2000

STANDARD DRAWING NO E 706-BRTX-03



/s/ Anthony L. Uremovich 5-01-00
DESIGN STANDARDS ENGINEER DATE

/s/ Firooz Zandi 5-01-00
CHIEF HIGHWAY ENGINEER DATE

DESIGN STANDARDS ENGINEER