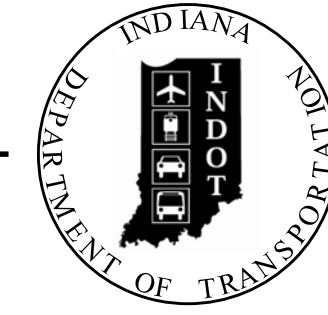


PROJECT	DESIGNATION
1800067	1800067
CONTRACT	BRIDGE FILE
R-41441	

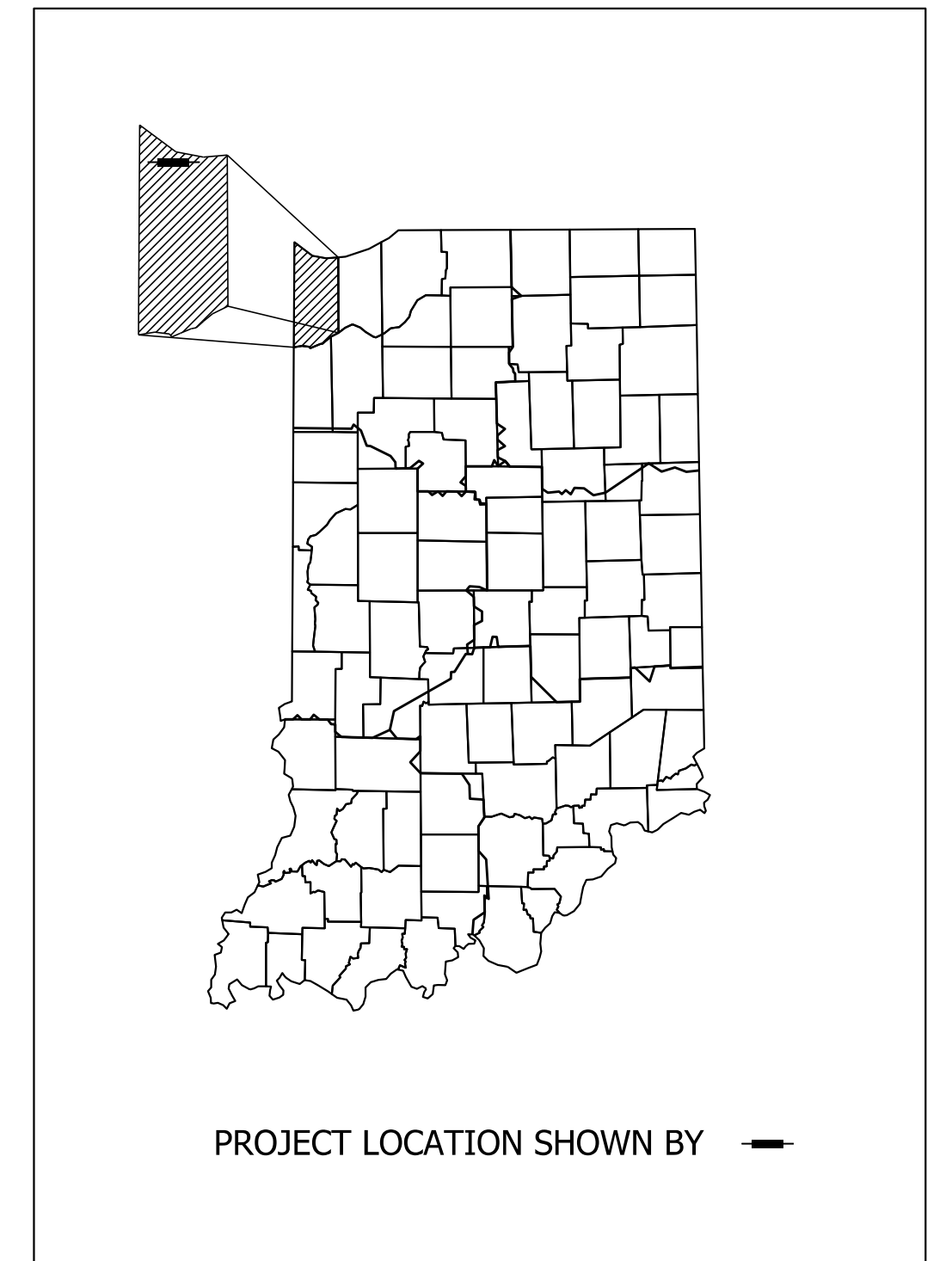
INDIANA DEPARTMENT OF TRANSPORTATION



ROAD PLANS

ROUTE: SR 912 FROM: RP 0+0.817 TO: RP 6+0.151
 PROJECT NO. 1800067 P.E.
 R/W CONST.

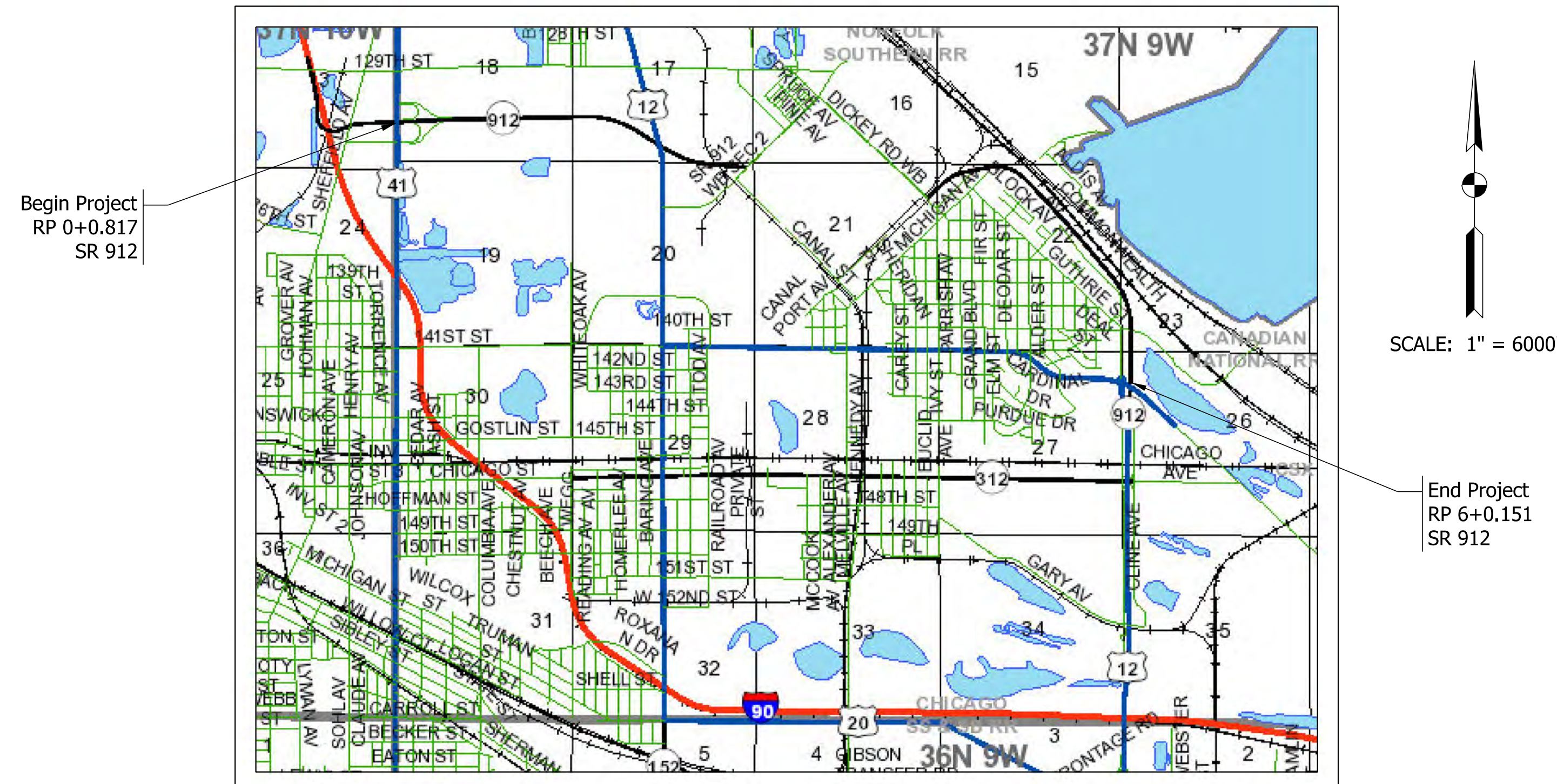
Concrete Pavement Replacement on SR 912 from US 41 to US 12
 Sections 18 and 19, T-37-N, R-10-W, and Sections 15,22,23,26,
 and 27, T-37-N, R-9-W, North and Calumet Townships, Lake County, Indiana



PROJECT LOCATION SHOWN BY —

LATITUDE: 41°39'08" LONGITUDE: 87°26'37"

GROSS LENGTH: 5.334 MI.
 NET LENGTH: 1.87 MI.
 MAX. GRADE: 4.725 %



LOCATION MAP
LAKE COUNTY

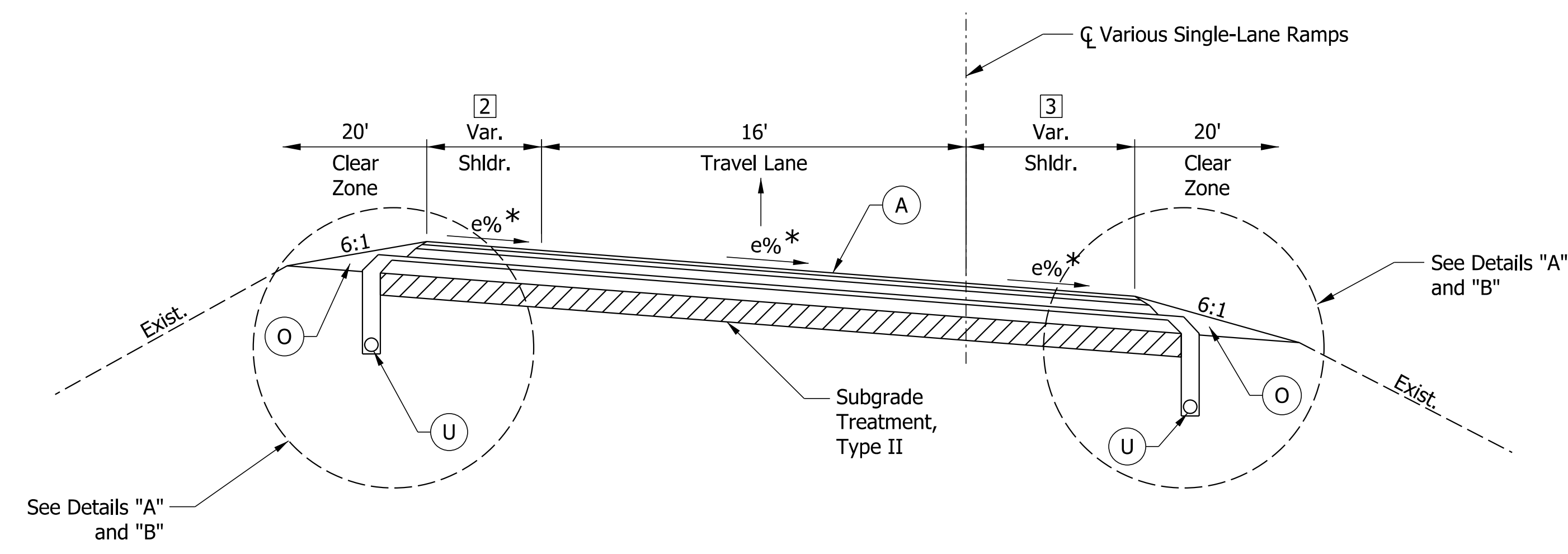
PARSONS
 101 W. Ohio St., Suite 2121
 Indianapolis, IN 46204
 Bus (317) 616-1000
 Fax (317) 616-1033

PLANS PREPARED BY: _____ PHONE NUMBER _____
 CERTIFIED BY: _____ DATE _____
 APPROVED FOR LETTING: _____ DATE _____
 INDIANA DEPARTMENT OF TRANSPORTATION

INDIANA DEPARTMENT OF TRANSPORTATION
 STANDARD SPECIFICATIONS DATED 2022
 TO BE USED WITH THESE PLANS

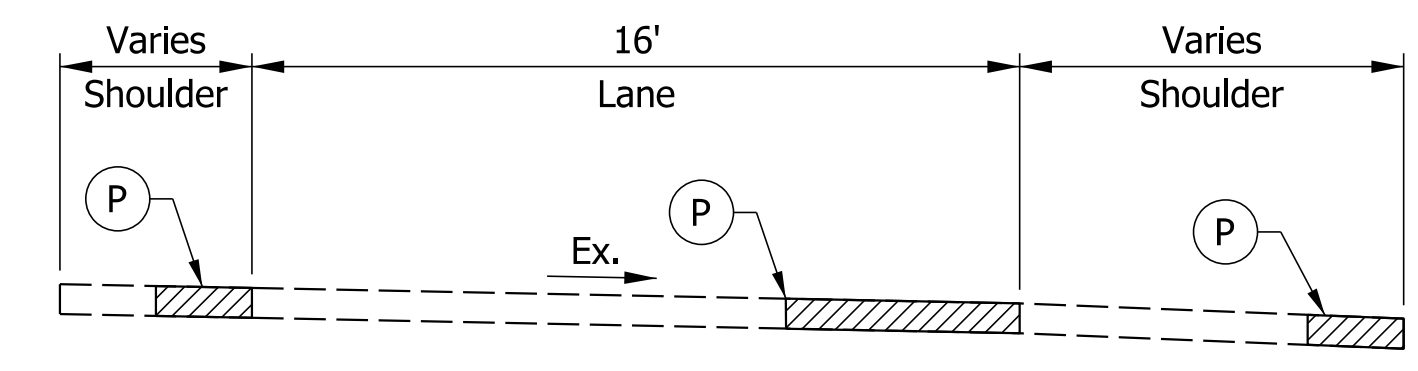
DESIGNATION	
1800067	
SURVEY BOOK	SHEETS
	1 of 1
CONTRACT	PROJECT
R-41441	1800067

PLOT: 3/31/2022 10:13 AM

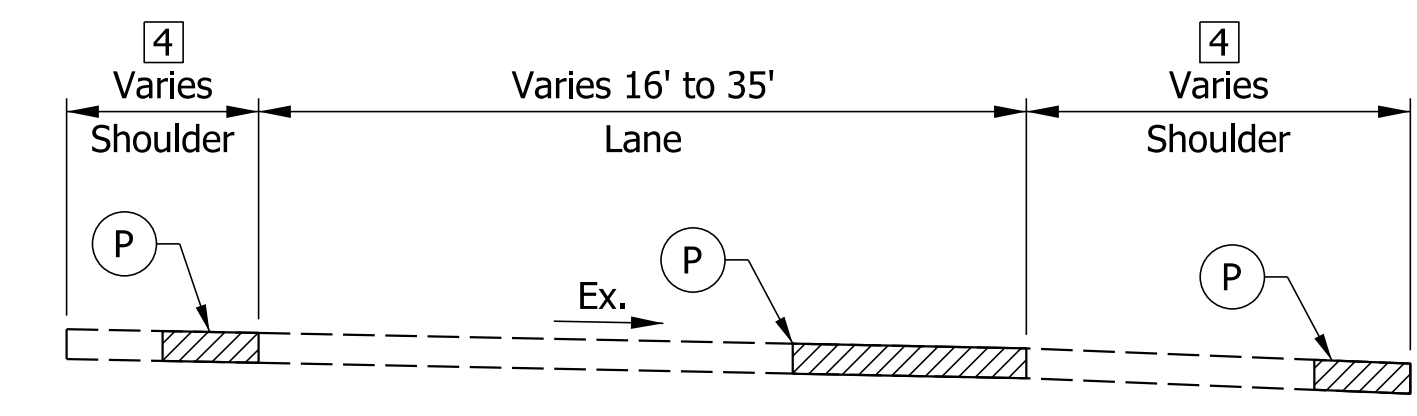


- 1 9'-0" From Sta. 248+42.80 to Sta. 254+00.00 "912_West"
 - 2 See Plans for Shoulder Widths
 - 3 See Plans for Shoulder Widths
 - 4 See Plans for Intersection Detail
- * Refer to Profile Sheets for Superelevation Details

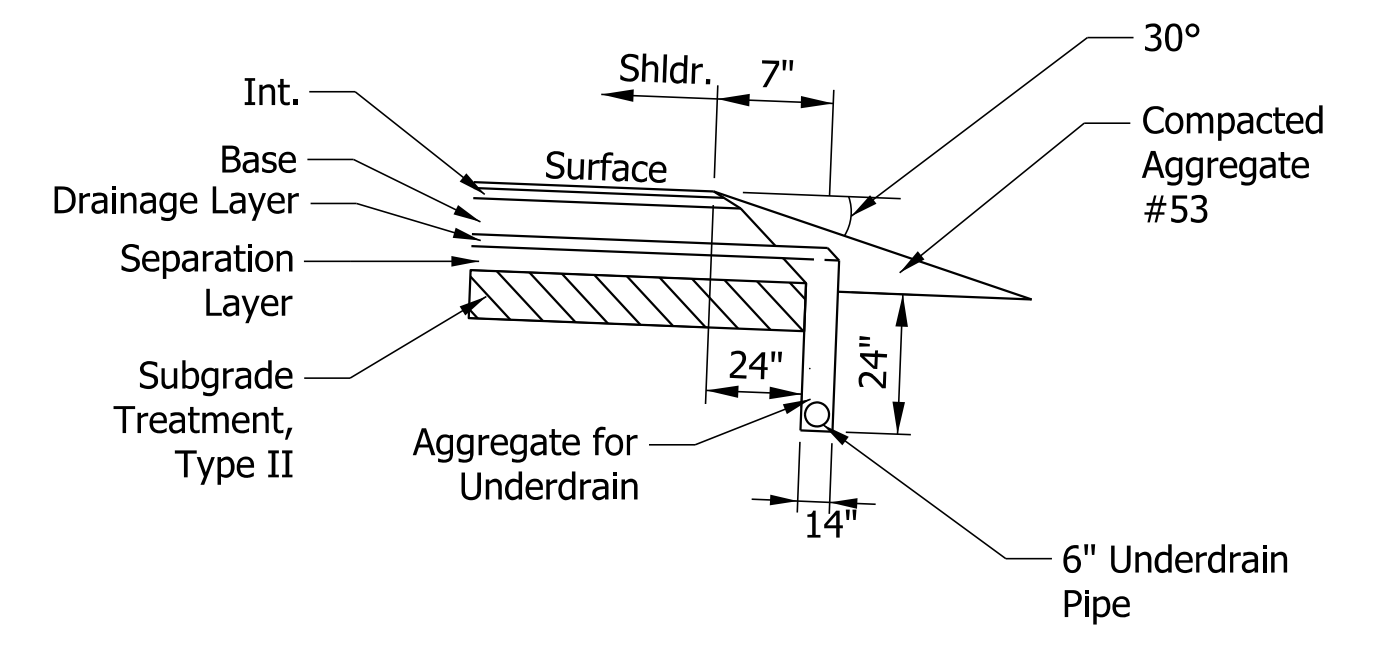
- Typical Ramp Section**
- From Sta. 1+70.40 to Sta. 17+09.63 Ramp "1B"
 - From Sta. 0+00.00 to Sta. 13+61.65 Ramp "1C"
 - From Sta. 1+69.35 to Sta. 5+48.47 Ramp "1G"
 - From Sta. 603+19.55 to Sta. 625+96.75 Ramp "4C"
 - From Sta. 3+20.14 to Sta. 9+48.94 Ramp "4N"
 - From Sta. 800+00.87 to Sta. 806+69.65 Ramp "4Y"
 - From Sta. 1+23.90 to Sta. 6+18.10 Ramp "5B"
 - From Sta. 81+59.32 to Sta. 84+18.09 Ramp "5C"
 - From Sta. 3010+35.70 to Sta. 3011+93.37 Ramp "5D"
 - From Sta. 59+10.62 to Sta. 64+50.63 Ramp "5V"
 - From Sta. 55+72.77 to Sta. 61+07.83 Ramp "8N"
 - From Sta. 61+41.91 to Sta. 67+26.27 Ramp "8N"
 - From Sta. 72+67.96 to Sta. 80+82.09 Ramp "8N"



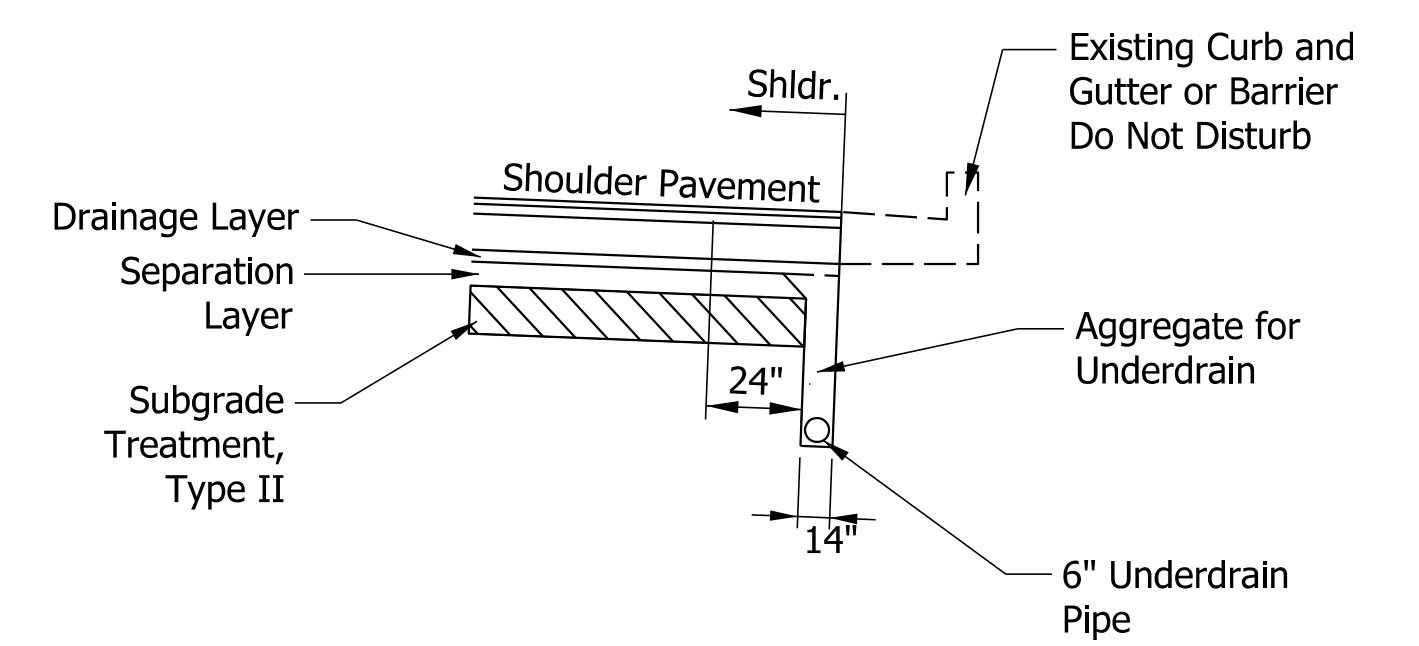
Typical Ramp Section - Concrete Pavement Restoration
(See Strip Maps and Patching Table for Locations)



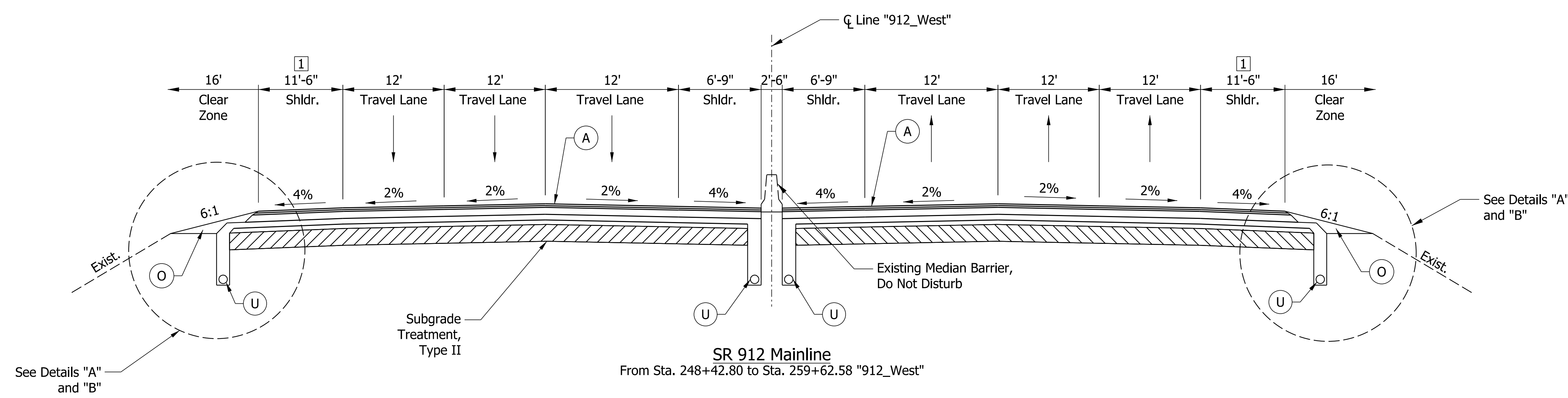
Typical Ramp Section - Concrete Pavement Restoration
Sta. 70+93.70 to Sta. 74+97.09 "5A RAMP"



Detail "A"
Underdrain with HMA Safety Edge



Detail "B"
Underdrain with Existing Curb or Concrete Barrier



SR 912 Mainline
From Sta. 248+42.80 to Sta. 259+62.58 "912_West"

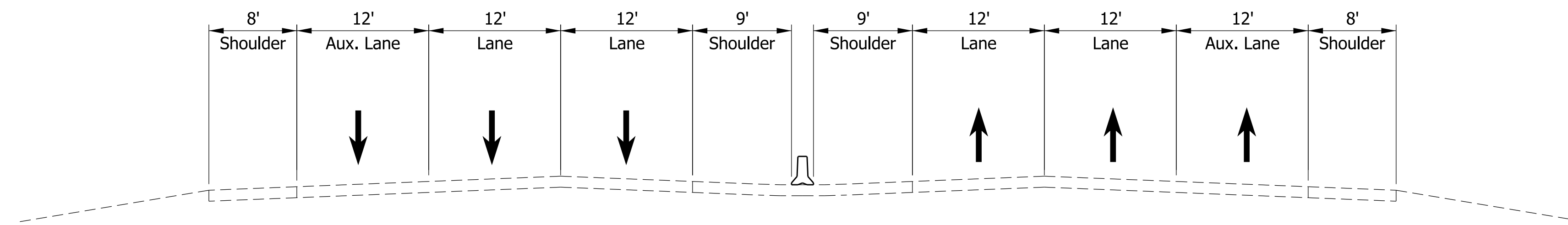
<p>A 165#/SYS QC/QA-HMA 3, 70, Surface, 9.5mm on 275#/SYS QC/QA-HMA 3, 70, Intermediate, 19.0mm on 660#/SYS QC/QA-HMA, 3, 64, Base, 25.0mm on 6" Compacted Aggregate, No. 53 (separation layer) on Subgrade Treatment, Type II (6" Coarse Aggregate, No. 53)</p>	<p>P PCCP Patching, Full Depth on Dense Graded Subbase on Subgrade Treatment, Type II or Concrete Pavement Restoration consisting of: PCCP Stitching Joint Repair, Partial Depth Joint Repair, Bottom Half</p>	<p>U Underdrain</p>	<p>P Compacted Aggregate, No. 53</p>
---	---	----------------------------	---

RECOMMENDED FOR APPROVAL _____	DESIGN ENGINEER _____	DATE _____
DESIGNED: _____ MA _____	DRAWN: _____ DH _____	
CHECKED: _____ TJK _____	CHECKED: _____ TJK _____	

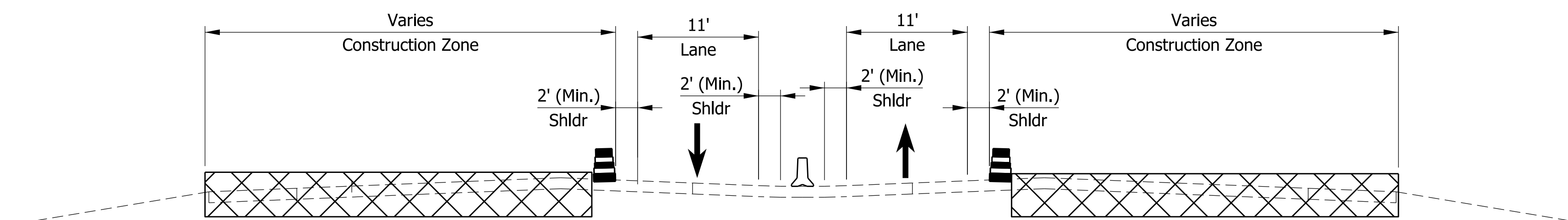
INDIANA DEPARTMENT OF TRANSPORTATION	
TYPICAL SECTIONS	

HORIZONTAL SCALE	BRIDGE FILE
1/4" = 1'-0"	N/A
VERTICAL SCALE	DESIGNATION
N/A	1800067
SURVEY BOOK	SHEETS
ELECTRONIC	1 of 1
CONTRACT	PROJECT
R-41441	1800067

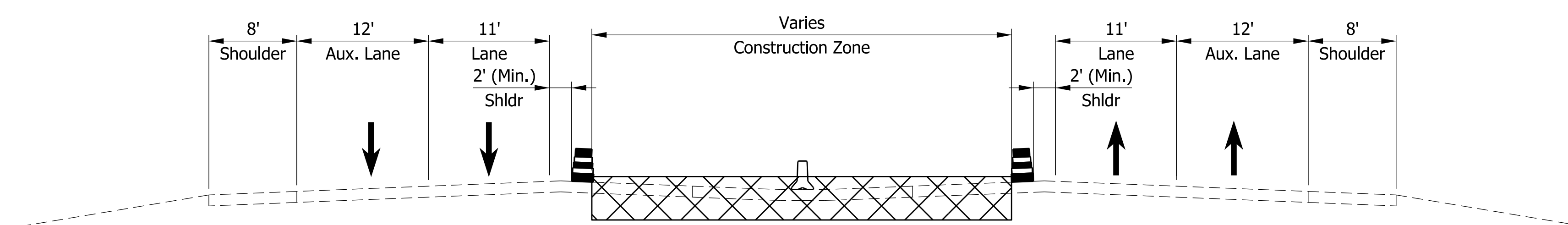
pwr://VANVA01PWINT01.parsons.com:Indiana State/Documents/LaPorte/649619 SR 912 Interchange/CPR/CADD/Roadway/Sheets/CPR_SR 912_Sht_Typ_01.dgn








SR 912 EXISTING TYPICAL SECTION



SR 912 MOT TYPICAL SECTION PHASE 1



SR 912 MOT TYPICAL SECTION PHASE 2

	Temporary Pavement, TBD		Direction of Traffic
	Proposed Construction Area		Construction Drum
			Temporary Traffic Barrier

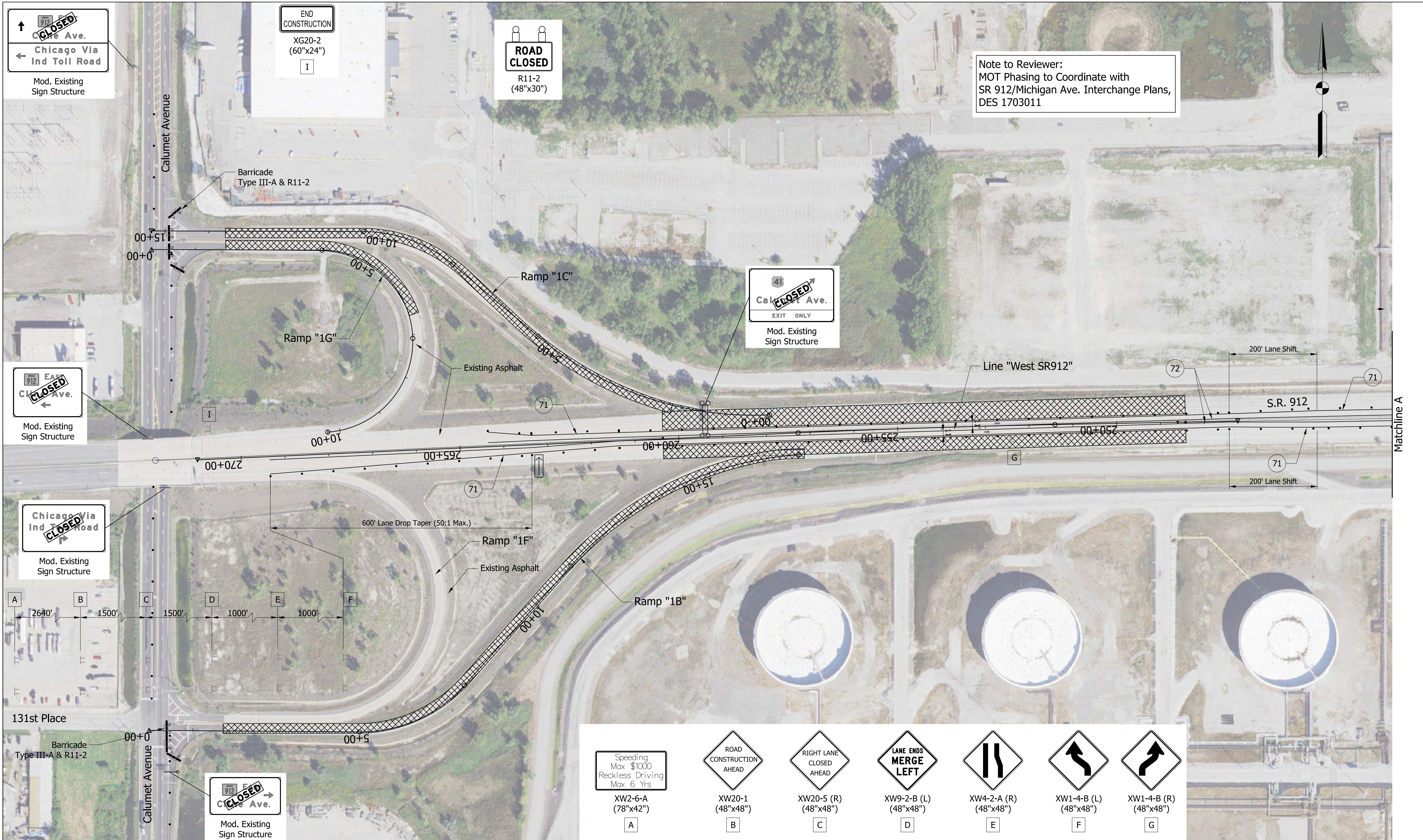
RECOMMENDED FOR APPROVAL _____	DESIGN ENGINEER _____	DATE _____
DESIGNED: EC	DRAWN: DH	
CHECKED: TJK	CHECKED: TJK	

**INDIANA
DEPARTMENT OF TRANSPORTATION**

MOT TYPICAL SECTIONS

HORIZONTAL SCALE	BRIDGE FILE
N/A	912-45-02815
VERTICAL SCALE	DESIGNATION
N/A	1800067
SURVEY BOOK	SHEETS
ELECTRONIC	10 of 53
CONTRACT	PROJECT
R-41441	1800067

IP_PWP:dms52408\CPR_SR_912_Sht_MOT_Typ_01.dgn



Note to Reviewer:
MOT Phasing to Coordinate with
SR 912/Michigan Ave. Interchange Plans,
DES 1703011

912 EAST
CLOSED
Chicago Ave.
Mod. Existing Sign Structure

Chicago Via
Ind Toll Road
CLOSED
Mod. Existing Sign Structure

912
CLOSED
Chicago Ave.
Mod. Existing Sign Structure

41
CLOSED
Calumet Ave.
EXIT ONLY
Mod. Existing Sign Structure

Speeding
Max \$1000
Reckless Driving
Max 6 Yrs
XW2-6-A
(78"x42")
A

ROAD
CONSTRUCTION
AHEAD
XW20-1
(48"x48")
B

RIGHT LANE
CLOSED
AHEAD
XW20-5 (R)
(48"x48")
C

LANE ENDS
MERGE
LEFT
XW9-2-B (L)
(48"x48")
D

XW4-2-A (R)
(48"x48")
E

XW1-4-B (L)
(48"x48")
F

XW1-4-B (R)
(48"x48")
G

← Direction of Traffic	↔ Flashing Arrow Sign	(32) Energy Absorbing Terminal, CZ TL-3	(75) Temporary Pavement Marking, Solid, White, 8"
● Standard Drum	— Temporary Traffic Barrier, Type as Noted	(71) Temporary Pavement Marking, Solid, White, 4"	(76) Temporary Pavement Marking, Solid, Yellow, 8"
— Type IIIA/B Barricade w/Type "B" Construction Warning Light	▒ Previously Constructed	(72) Temporary Pavement Marking, Solid, Yellow, 4"	(77) Temporary Pavement Marking, Solid, Yellow, 24"
⊠ Construction Sign	▨ Construction Area	(73) Temporary Pavement Marking, Broken, White, 5"	(78) Temporary Pavement Marking, Solid, White, 24"
PCMS Portable Changeable Message Sign	--- Line Remove	(74) Temporary Pavement Marking, Dotted, White, 5", (3' Dash, 9' Gap)	(79) Temporary Pavement Marking, Dotted, White, 5", (2' Dash, 6' Gap)

RECOMMENDED FOR APPROVAL	DESIGN ENGINEER	DATE
DESIGNED: EC	DRAWN: DH	
CHECKED: TJK	CHECKED: TJK	

INDIANA
DEPARTMENT OF TRANSPORTATION

MOT PHASE 1

HORIZONTAL SCALE	BRIDGE FILE
N/A	912-45-02815
VERTICAL SCALE	DESIGNATION
N/A	1800067
SURVEY BOOK	SHEETS
ELECTRONIC	11 of 53
CONTRACT	PROJECT
R-41441	1800067



XW4-2-A (R) (48"x48")	XW9-2-B (L) (48"x48")	XW20-5 (R) (48"x48")	XW20-1 (48"x48")	Speeding Max \$1000 Reckless Driving Max 6 Yrs XW2-6-A (78"x42")
E	D	C	B	A

CONSTRUCTION ZONE DESIGN SPEED IS 45 MPH

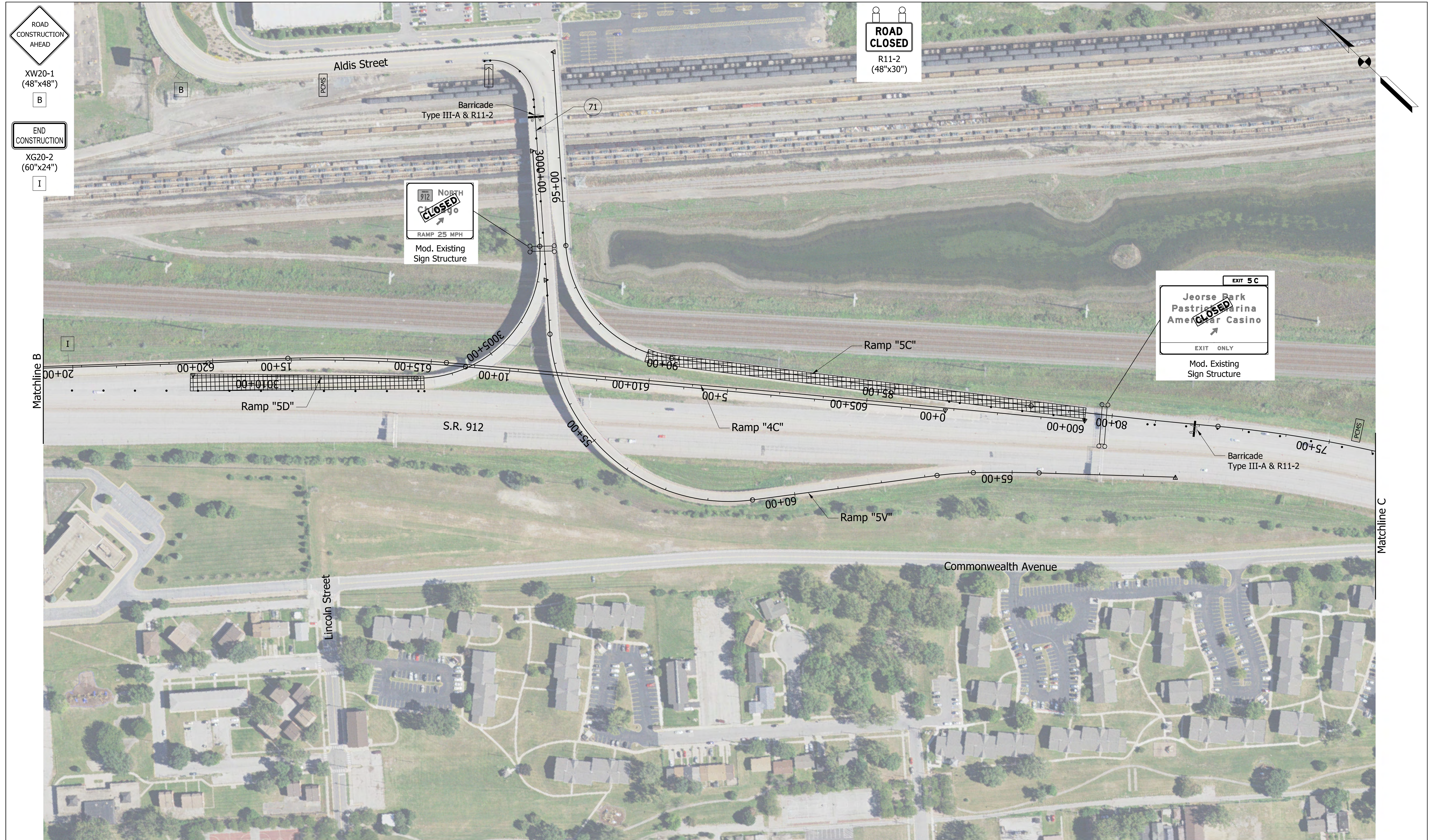
<ul style="list-style-type: none"> Direction of Traffic Standard Drum Type IIIA/B Barricade w/Type "B" Construction Warning Light Construction Sign PCMS Portable Changeable Message Sign 	<ul style="list-style-type: none"> Flashing Arrow Sign Temporary Traffic Barrier, Type as Noted Previously Constructed Construction Area Line Remove 	<ul style="list-style-type: none"> 32 Energy Absorbing Terminal, CZ TL-3 71 Temporary Pavement Marking, Solid, White, 4" 72 Temporary Pavement Marking, Solid, Yellow, 4" 73 Temporary Pavement Marking, Broken, White, 5" 74 Temporary Pavement Marking, Dotted, White, 5", (3' Dash, 9' Gap) 	<ul style="list-style-type: none"> 75 Temporary Pavement Marking, Solid, White, 8" 76 Temporary Pavement Marking, Solid, Yellow, 8" 77 Temporary Pavement Marking, Solid, Yellow, 24" 78 Temporary Pavement Marking, Solid, White, 24" 79 Temporary Pavement Marking, Dotted, White, 5", (2' Dash, 6' Gap) 	<p>RECOMMENDED FOR APPROVAL _____</p> <p>DESIGN ENGINEER _____ DATE _____</p> <p>DESIGNED: EC DRAWN: DH</p> <p>CHECKED: TJK CHECKED: TJK</p>	<p>INDIANA DEPARTMENT OF TRANSPORTATION</p> <p>MOT PHASE 1</p>	<table border="1"> <tr> <td>HORIZONTAL SCALE</td> <td>BRIDGE FILE</td> </tr> <tr> <td>N/A</td> <td>912-45-02815</td> </tr> <tr> <td>VERTICAL SCALE</td> <td>DESIGNATION</td> </tr> <tr> <td>N/A</td> <td>1800067</td> </tr> <tr> <td>SURVEY BOOK</td> <td>SHEETS</td> </tr> <tr> <td>ELECTRONIC</td> <td>12 of 53</td> </tr> <tr> <td>CONTRACT</td> <td>PROJECT</td> </tr> <tr> <td>R-41441</td> <td>1800067</td> </tr> </table>	HORIZONTAL SCALE	BRIDGE FILE	N/A	912-45-02815	VERTICAL SCALE	DESIGNATION	N/A	1800067	SURVEY BOOK	SHEETS	ELECTRONIC	12 of 53	CONTRACT	PROJECT	R-41441	1800067
HORIZONTAL SCALE	BRIDGE FILE																					
N/A	912-45-02815																					
VERTICAL SCALE	DESIGNATION																					
N/A	1800067																					
SURVEY BOOK	SHEETS																					
ELECTRONIC	12 of 53																					
CONTRACT	PROJECT																					
R-41441	1800067																					

IP_PWP:dms52408\CPR_SR 912 Sht_MOT_02.dgn



<ul style="list-style-type: none"> ← Direction of Traffic ● Standard Drum ▤ Type IIIA/B Barricade w/Type "B" Construction Warning Light ⊞ Construction Sign PCMS Portable Changeable Message Sign 	<ul style="list-style-type: none"> ↔ Flashing Arrow Sign ▬ Temporary Traffic Barrier, Type as Noted ▬ Previously Constructed ▨ Construction Area --- Line Remove 	<ul style="list-style-type: none"> (32) Energy Absorbing Terminal, CZ TL-3 (71) Temporary Pavement Marking, Solid, White, 4" (72) Temporary Pavement Marking, Solid, Yellow, 4" (73) Temporary Pavement Marking, Broken, White, 5" (74) Temporary Pavement Marking, Dotted, White, 5", (3' Dash, 9' Gap) 	<ul style="list-style-type: none"> (75) Temporary Pavement Marking, Solid, White, 8" (76) Temporary Pavement Marking, Solid, Yellow, 8" (77) Temporary Pavement Marking, Solid, Yellow, 24" (78) Temporary Pavement Marking, Solid, White, 24" (79) Temporary Pavement Marking, Dotted, White, 5", (2' Dash, 6' Gap) 	RECOMMENDED FOR APPROVAL _____ DESIGN ENGINEER _____ DATE _____ DESIGNED: EC DRAWN: DH CHECKED: TJK CHECKED: TJK	INDIANA DEPARTMENT OF TRANSPORTATION MOT PHASE 1	HORIZONTAL SCALE: N/A VERTICAL SCALE: N/A SURVEY BOOK: ELECTRONIC CONTRACT: R-41441	BRIDGE FILE: 912-45-02815 DESIGNATION: 1800067 SHEETS: 14 of 53 PROJECT: 1800067
--	---	---	---	---	---	--	---

IP_PWP:dms52408\CPR_SR 912 Sht_MOT_03.dgn



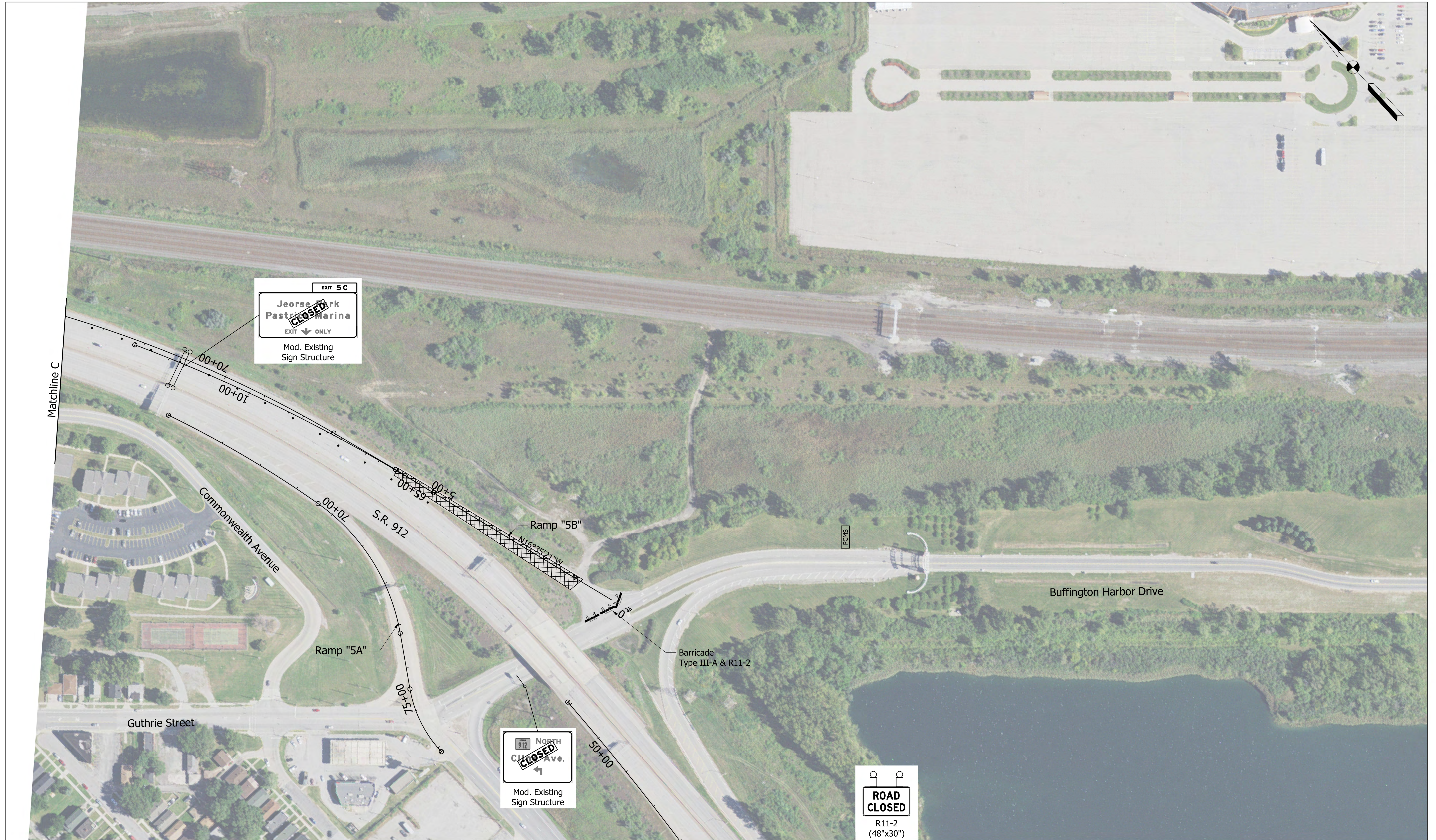
← Direction of Traffic	↔ Flashing Arrow Sign	(32) Energy Absorbing Terminal, CZ TL-3	(75) Temporary Pavement Marking, Solid, White, 8"
● Standard Drum	— Temporary Traffic Barrier, Type as Noted	(71) Temporary Pavement Marking, Solid, White, 4"	(76) Temporary Pavement Marking, Solid, Yellow, 8"
⚠ Type IIIA/B Barricade w/Type "B" Construction Warning Light	▒ Previously Constructed	(72) Temporary Pavement Marking, Solid, Yellow, 4"	(77) Temporary Pavement Marking, Solid, Yellow, 24"
⚠ Construction Sign	▨ Construction Area	(73) Temporary Pavement Marking, Broken, White, 5"	(78) Temporary Pavement Marking, Solid, White, 24"
PCMS Portable Changeable Message Sign	--- Line Remove	(74) Temporary Pavement Marking, Dotted, White, 5", (3' Dash, 9' Gap)	(79) Temporary Pavement Marking, Dotted, White, 5", (2' Dash, 6' Gap)

RECOMMENDED FOR APPROVAL	DESIGN ENGINEER	DATE
DESIGNED: EC	DRAWN: DH	
CHECKED: TJK	CHECKED: TJK	

INDIANA DEPARTMENT OF TRANSPORTATION	
MOT PHASE 1	

HORIZONTAL SCALE	BRIDGE FILE
N/A	912-45-02815
VERTICAL SCALE	DESIGNATION
N/A	1800067
SURVEY BOOK	SHEETS
ELECTRONIC	15 of 53
CONTRACT	PROJECT
R-41441	1800067

IP_PWP:dms52408\CPR_SR 912_Sht_MOT_04.dgn



<ul style="list-style-type: none"> ← Direction of Traffic ● Standard Drum ▬ Type IIIA/B Barricade w/Type "B" Construction Warning Light ⊞ Construction Sign PCMS Portable Changeable Message Sign → Flashing Arrow Sign ▬ Temporary Traffic Barrier, Type as Noted ▬ Previously Constructed ▨ Construction Area -x-x-x- Line Remove (32) Energy Absorbing Terminal, CZ TL-3 (71) Temporary Pavement Marking, Solid, White, 4" (72) Temporary Pavement Marking, Solid, Yellow, 4" (73) Temporary Pavement Marking, Broken, White, 5" (74) Temporary Pavement Marking, Dotted, White, 5", (3' Dash, 9' Gap) (75) Temporary Pavement Marking, Solid, White, 8" (76) Temporary Pavement Marking, Solid, Yellow, 8" (77) Temporary Pavement Marking, Solid, Yellow, 24" (78) Temporary Pavement Marking, Solid, White, 24" (79) Temporary Pavement Marking, Dotted, White, 5", (2' Dash, 6' Gap) 	<p>RECOMMENDED FOR APPROVAL _____</p> <p>DESIGNED: EC DRAWN: DH</p> <p>CHECKED: TJK CHECKED: TJK</p>	<p style="text-align: center;">INDIANA DEPARTMENT OF TRANSPORTATION</p> <p style="text-align: center;">MOT PHASE 1</p>	<table border="1"> <tr> <td>HORIZONTAL SCALE</td> <td>BRIDGE FILE</td> </tr> <tr> <td>N/A</td> <td>912-45-02815</td> </tr> <tr> <td>VERTICAL SCALE</td> <td>DESIGNATION</td> </tr> <tr> <td>N/A</td> <td>1800067</td> </tr> <tr> <td>SURVEY BOOK</td> <td>SHEETS</td> </tr> <tr> <td>ELECTRONIC</td> <td>16 of 53</td> </tr> <tr> <td>CONTRACT</td> <td>PROJECT</td> </tr> <tr> <td>R-41441</td> <td>1800067</td> </tr> </table>	HORIZONTAL SCALE	BRIDGE FILE	N/A	912-45-02815	VERTICAL SCALE	DESIGNATION	N/A	1800067	SURVEY BOOK	SHEETS	ELECTRONIC	16 of 53	CONTRACT	PROJECT	R-41441	1800067
HORIZONTAL SCALE	BRIDGE FILE																		
N/A	912-45-02815																		
VERTICAL SCALE	DESIGNATION																		
N/A	1800067																		
SURVEY BOOK	SHEETS																		
ELECTRONIC	16 of 53																		
CONTRACT	PROJECT																		
R-41441	1800067																		

IP_PWP:dms52408\CPR_SR 912 SHI_MOT_05.dgn



Note to Reviewer:
Ramps Closed by DES 1703011
in this Phase

<ul style="list-style-type: none"> ← Direction of Traffic ● Standard Drum ▤ Type IIIA/B Barricade w/Type "B" Construction Warning Light ⊠ Construction Sign PCMS Portable Changeable Message Sign 	<ul style="list-style-type: none"> ↔ Flashing Arrow Sign ▬ Temporary Traffic Barrier, Type as Noted ▬ Previously Constructed ▨ Construction Area --- Line Remove 	<ul style="list-style-type: none"> (32) Energy Absorbing Terminal, CZ TL-3 (71) Temporary Pavement Marking, Solid, White, 4" (72) Temporary Pavement Marking, Solid, Yellow, 4" (73) Temporary Pavement Marking, Broken, White, 5" (74) Temporary Pavement Marking, Dotted, White, 5", (3' Dash, 9' Gap) 	<ul style="list-style-type: none"> (75) Temporary Pavement Marking, Solid, White, 8" (76) Temporary Pavement Marking, Solid, Yellow, 8" (77) Temporary Pavement Marking, Solid, Yellow, 24" (78) Temporary Pavement Marking, Solid, White, 24" (79) Temporary Pavement Marking, Dotted, White, 5", (2' Dash, 6' Gap)
--	---	---	---

RECOMMENDED FOR APPROVAL	DESIGN ENGINEER	DATE
DESIGNED: EC	DRAWN: DH	
CHECKED: TJK	CHECKED: TJK	

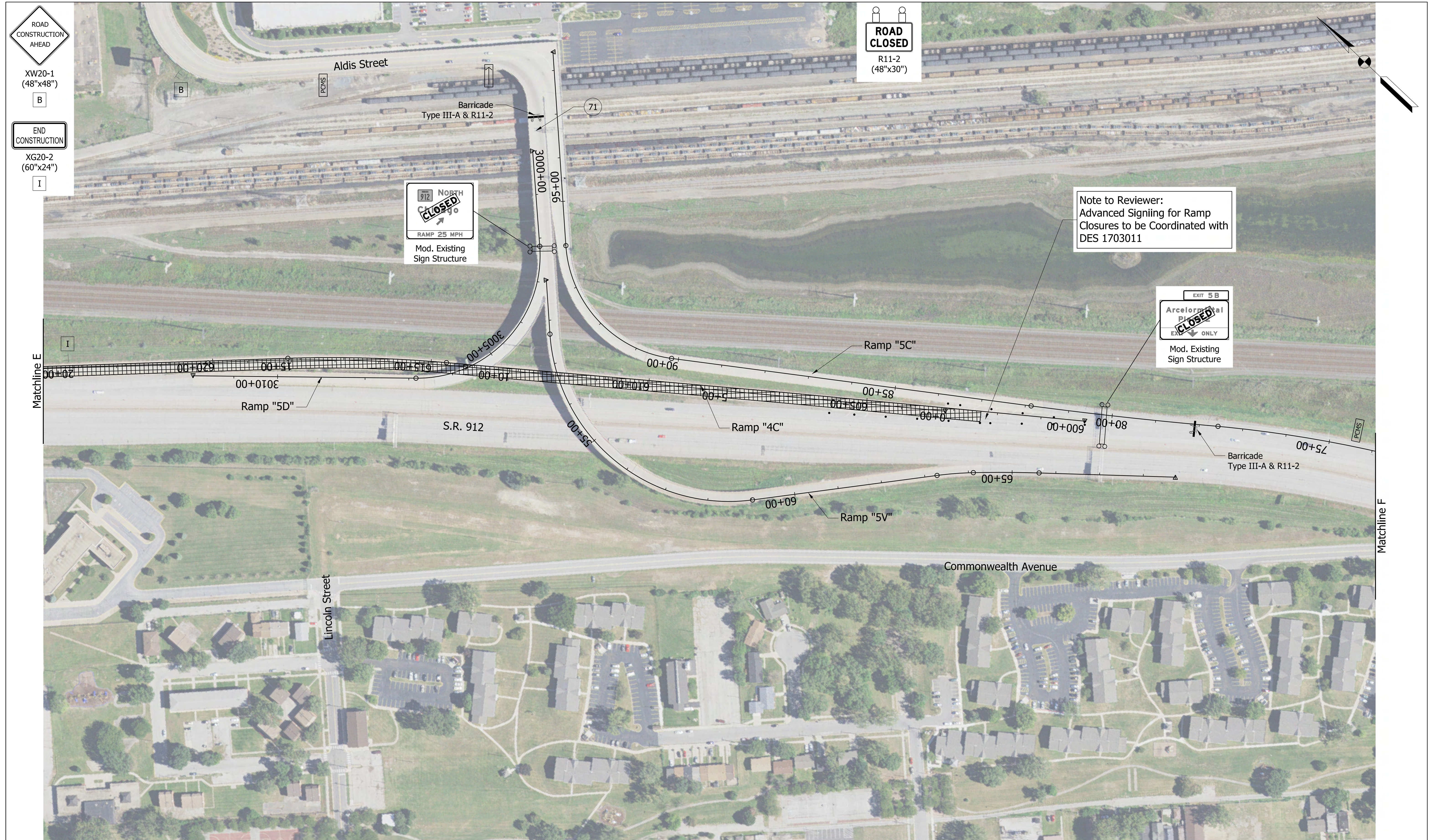
INDIANA
DEPARTMENT OF TRANSPORTATION

MOT PHASE 2

HORIZONTAL SCALE	BRIDGE FILE
N/A	912-45-02815
VERTICAL SCALE	DESIGNATION
N/A	1800067
SURVEY BOOK	SHEETS
ELECTRONIC	20 of 53
CONTRACT	PROJECT
R-41441	1800067

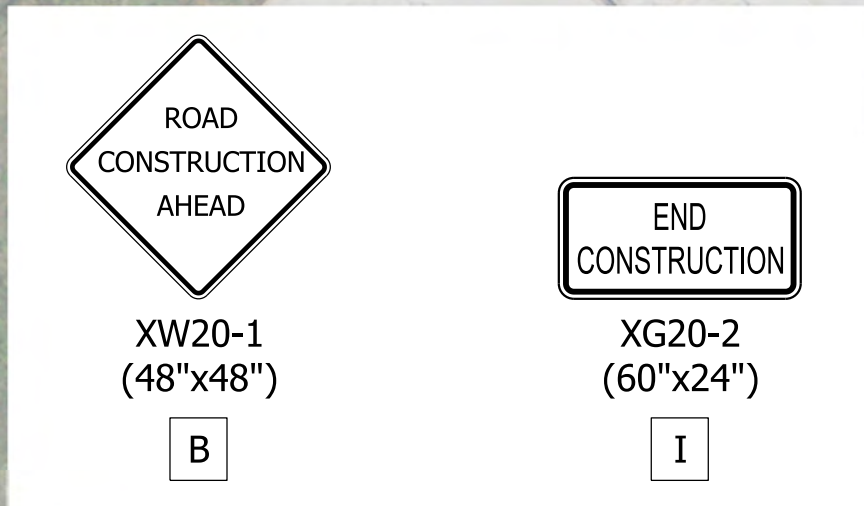
IP_PWP:dms2408\CPR_SR 912 Sht_MOT_08.dgn

Matchline E



<ul style="list-style-type: none"> ← Direction of Traffic ● Standard Drum Type IIIA/B Barricade w/Type "B" Construction Warning Light Construction Sign PCMS Portable Changeable Message Sign 	<ul style="list-style-type: none"> Flashing Arrow Sign Temporary Traffic Barrier, Type as Noted Previously Constructed Construction Area Line Remove 	<ul style="list-style-type: none"> (32) Energy Absorbing Terminal, CZ TL-3 (71) Temporary Pavement Marking, Solid, White, 4" (72) Temporary Pavement Marking, Solid, Yellow, 4" (73) Temporary Pavement Marking, Broken, White, 5" (74) Temporary Pavement Marking, Dotted, White, 5", (3' Dash, 9' Gap) 	<ul style="list-style-type: none"> (75) Temporary Pavement Marking, Solid, White, 8" (76) Temporary Pavement Marking, Solid, Yellow, 8" (77) Temporary Pavement Marking, Solid, Yellow, 24" (78) Temporary Pavement Marking, Solid, White, 24" (79) Temporary Pavement Marking, Dotted, White, 5", (2' Dash, 6' Gap) 	<p>RECOMMENDED FOR APPROVAL _____</p> <p>DESIGN ENGINEER _____ DATE _____</p> <p>DESIGNED: EC DRAWN: DH</p> <p>CHECKED: TJK CHECKED: TJK</p>	<p style="text-align: center;">INDIANA DEPARTMENT OF TRANSPORTATION</p> <p style="text-align: center;">MOT PHASE 2</p>	<table border="1"> <tr> <td>HORIZONTAL SCALE</td> <td>BRIDGE FILE</td> </tr> <tr> <td>N/A</td> <td>912-45-02815</td> </tr> <tr> <td>VERTICAL SCALE</td> <td>DESIGNATION</td> </tr> <tr> <td>N/A</td> <td>1800067</td> </tr> <tr> <td>SURVEY BOOK</td> <td>SHEETS</td> </tr> <tr> <td>ELECTRONIC</td> <td>21 of 53</td> </tr> <tr> <td>CONTRACT</td> <td>PROJECT</td> </tr> <tr> <td>R-41441</td> <td>1800067</td> </tr> </table>	HORIZONTAL SCALE	BRIDGE FILE	N/A	912-45-02815	VERTICAL SCALE	DESIGNATION	N/A	1800067	SURVEY BOOK	SHEETS	ELECTRONIC	21 of 53	CONTRACT	PROJECT	R-41441	1800067
HORIZONTAL SCALE	BRIDGE FILE																					
N/A	912-45-02815																					
VERTICAL SCALE	DESIGNATION																					
N/A	1800067																					
SURVEY BOOK	SHEETS																					
ELECTRONIC	21 of 53																					
CONTRACT	PROJECT																					
R-41441	1800067																					

IP_PWP:dms52408\CPR_SR 912 Sht_MOT_09.dgn



<ul style="list-style-type: none"> ← Direction of Traffic ● Standard Drum Type IIIA/B Barricade w/Type "B" Construction Warning Light Construction Sign PCMS Portable Changeable Message Sign 	<ul style="list-style-type: none"> Flashing Arrow Sign Temporary Traffic Barrier, Type as Noted Previously Constructed Construction Area Line Remove 	<ul style="list-style-type: none"> (32) Energy Absorbing Terminal, CZ TL-3 (71) Temporary Pavement Marking, Solid, White, 4" (72) Temporary Pavement Marking, Solid, Yellow, 4" (73) Temporary Pavement Marking, Broken, White, 5" (74) Temporary Pavement Marking, Dotted, White, 5", (3' Dash, 9' Gap) 	<ul style="list-style-type: none"> (75) Temporary Pavement Marking, Solid, White, 8" (76) Temporary Pavement Marking, Solid, Yellow, 8" (77) Temporary Pavement Marking, Solid, Yellow, 24" (78) Temporary Pavement Marking, Solid, White, 24" (79) Temporary Pavement Marking, Dotted, White, 5", (2' Dash, 6' Gap)
--	---	---	---

RECOMMENDED FOR APPROVAL	DESIGN ENGINEER	DATE
DESIGNED: EC	DRAWN: DH	
CHECKED: TJK	CHECKED: TJK	

INDIANA
DEPARTMENT OF TRANSPORTATION

MOT PHASE 2

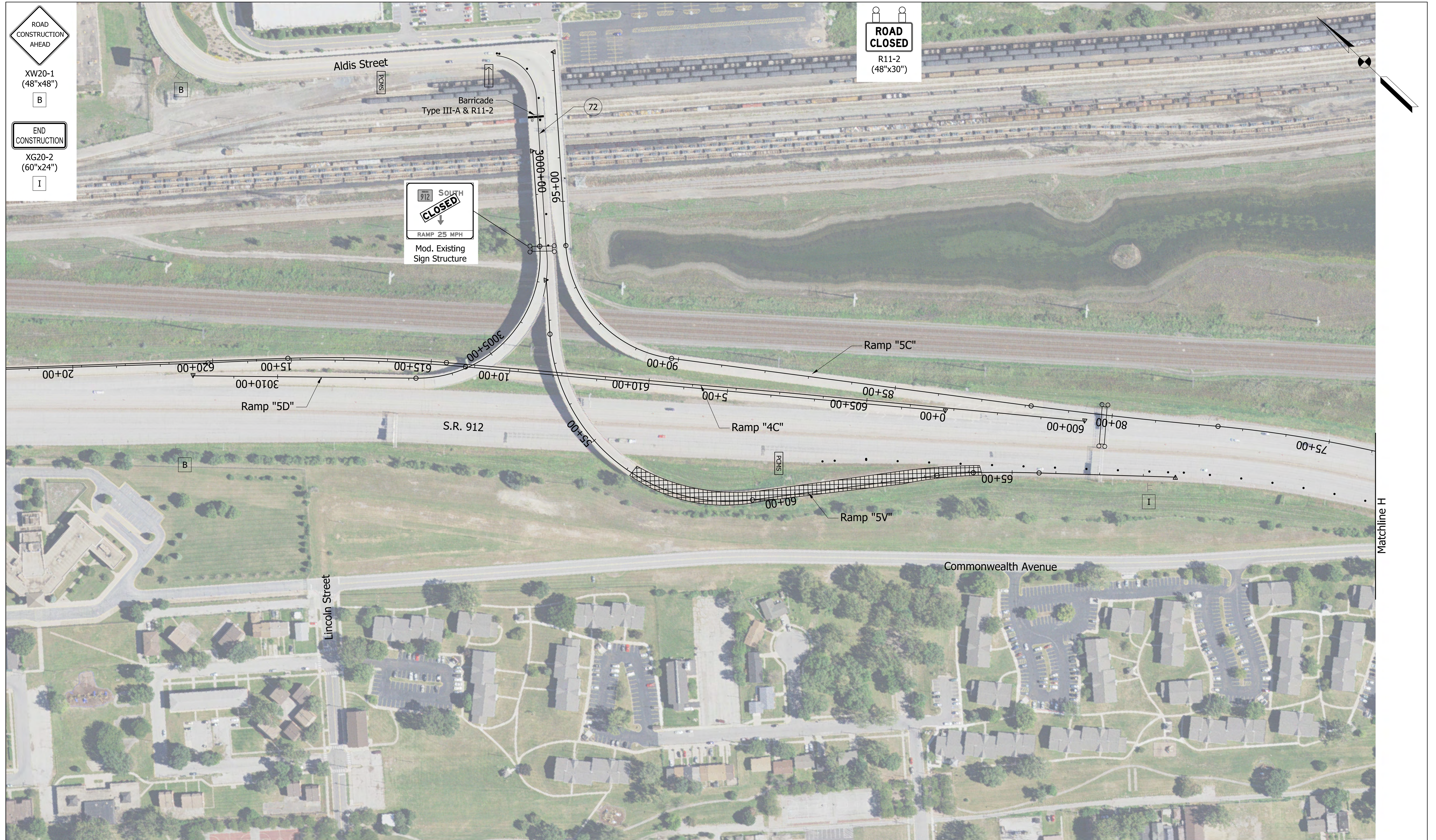
HORIZONTAL SCALE	BRIDGE FILE
N/A	912-45-02815
VERTICAL SCALE	DESIGNATION
N/A	1800067
SURVEY BOOK	SHEETS
ELECTRONIC	23 of 53
CONTRACT	PROJECT
R-41441	1800067

IP_PWP:dms52408\CPR_SR 912 Sht_MOT_11.dgn



<ul style="list-style-type: none"> ← Direction of Traffic ● Standard Drum ▬ Type IIIA/B Barricade w/Type "B" Construction Warning Light ⊠ Construction Sign PCMS Portable Changeable Message Sign 	<ul style="list-style-type: none"> ↔ Flashing Arrow Sign ▬ Temporary Traffic Barrier, Type as Noted ▬ Previously Constructed ▨ Construction Area --- Line Remove 	<ul style="list-style-type: none"> (32) Energy Absorbing Terminal, CZ TL-3 (71) Temporary Pavement Marking, Solid, White, 4" (72) Temporary Pavement Marking, Solid, Yellow, 4" (73) Temporary Pavement Marking, Broken, White, 5" (74) Temporary Pavement Marking, Dotted, White, 5", (3' Dash, 9' Gap) 	<ul style="list-style-type: none"> (75) Temporary Pavement Marking, Solid, White, 8" (76) Temporary Pavement Marking, Solid, Yellow, 8" (77) Temporary Pavement Marking, Solid, Yellow, 24" (78) Temporary Pavement Marking, Solid, White, 24" (79) Temporary Pavement Marking, Dotted, White, 5", (2' Dash, 6' Gap) 	RECOMMENDED FOR APPROVAL _____ DESIGN ENGINEER _____ DATE _____	DESIGNED: EC DRAWN: DH CHECKED: TJK CHECKED: TJK	INDIANA DEPARTMENT OF TRANSPORTATION MOT PHASE 3	HORIZONTAL SCALE: N/A VERTICAL SCALE: N/A SURVEY BOOK: R-41441 ELECTRONIC: 24 CONTRACT: 1800067	BRIDGE FILE: 912-45-02815 DESIGNATION: 1800067 SHEETS: 24 of 53 PROJECT: 1800067
--	---	---	---	--	---	---	---	---

IP_PWP:dms52408\CPR_SR 912 Sht_MOT_12.dgn



<ul style="list-style-type: none"> ← Direction of Traffic ● Standard Drum Type IIIA/B Barricade w/Type "B" Construction Warning Light Construction Sign PCMS Portable Changeable Message Sign 	<ul style="list-style-type: none"> Flashing Arrow Sign Temporary Traffic Barrier, Type as Noted Previously Constructed Construction Area Line Remove 	<ul style="list-style-type: none"> (32) Energy Absorbing Terminal, CZ TL-3 (71) Temporary Pavement Marking, Solid, White, 4" (72) Temporary Pavement Marking, Solid, Yellow, 4" (73) Temporary Pavement Marking, Broken, White, 5" (74) Temporary Pavement Marking, Dotted, White, 5", (3' Dash, 9' Gap) 	<ul style="list-style-type: none"> (75) Temporary Pavement Marking, Solid, White, 8" (76) Temporary Pavement Marking, Solid, Yellow, 8" (77) Temporary Pavement Marking, Solid, Yellow, 24" (78) Temporary Pavement Marking, Solid, White, 24" (79) Temporary Pavement Marking, Dotted, White, 5", (2' Dash, 6' Gap)
--	---	---	---

RECOMMENDED FOR APPROVAL	DESIGN ENGINEER	DATE
DESIGNED: EC	DRAWN: DH	
CHECKED: TJK	CHECKED: TJK	

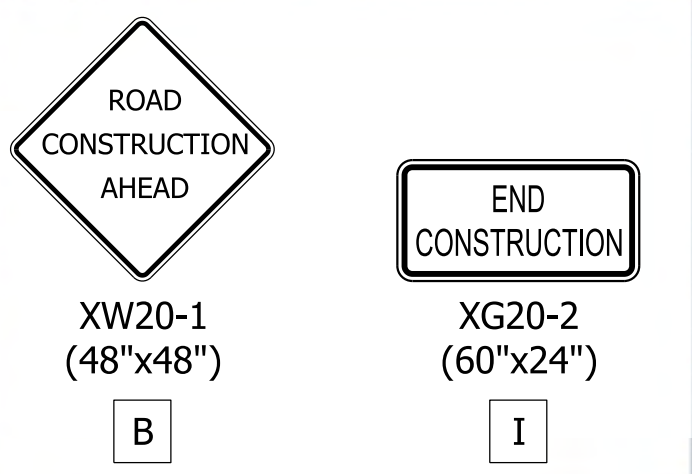
INDIANA
DEPARTMENT OF TRANSPORTATION

MOT PHASE 3

HORIZONTAL SCALE	BRIDGE FILE
N/A	912-45-02815
VERTICAL SCALE	DESIGNATION
N/A	1800067
SURVEY BOOK	SHEETS
ELECTRONIC	25 of 53
CONTRACT	PROJECT
R-41441	1800067

IP_PWP:dms52408\CPR_SR 912_Sht_MOT_13.dgn

Matchline H



<ul style="list-style-type: none"> ← Direction of Traffic ● Standard Drum ⊞ Type IIIA/B Barricade w/Type "B" Construction Warning Light ⊞ Construction Sign PCMS Portable Changeable Message Sign → Flashing Arrow Sign — Temporary Traffic Barrier, Type as Noted ▒ Previously Constructed ▨ Construction Area - - - - - Line Remove (32) Energy Absorbing Terminal, CZ TL-3 (71) Temporary Pavement Marking, Solid, White, 4" (72) Temporary Pavement Marking, Solid, Yellow, 4" (73) Temporary Pavement Marking, Broken, White, 5" (74) Temporary Pavement Marking, Dotted, White, 5", (3' Dash, 9' Gap) (75) Temporary Pavement Marking, Solid, White, 8" (76) Temporary Pavement Marking, Solid, Yellow, 8" (77) Temporary Pavement Marking, Solid, Yellow, 24" (78) Temporary Pavement Marking, Solid, White, 24" (79) Temporary Pavement Marking, Dotted, White, 5", (2' Dash, 6' Gap)

RECOMMENDED FOR APPROVAL _____	DESIGN ENGINEER _____	DATE _____
DESIGNED: EC	DRAWN: DH	
CHECKED: TJK	CHECKED: TJK	

INDIANA
DEPARTMENT OF TRANSPORTATION

MOT PHASE 3

HORIZONTAL SCALE	BRIDGE FILE
N/A	912-45-02815
VERTICAL SCALE	DESIGNATION
N/A	1800067
SURVEY BOOK	SHEETS
ELECTRONIC	26 of 53
CONTRACT	PROJECT
R-41441	1800067

IP_PWP:dms52408\CPR_SR 912 Sht_MOT_14.dgn