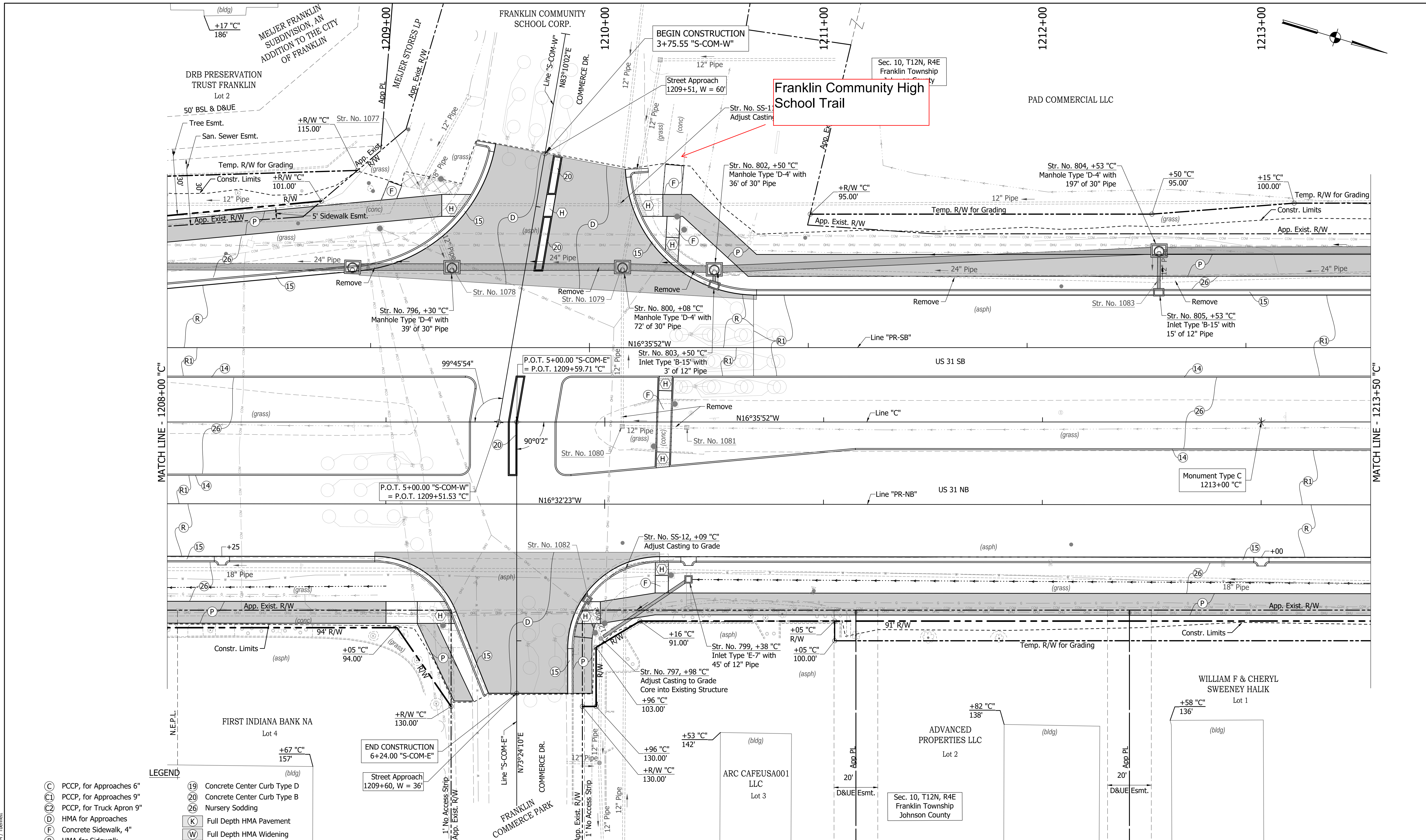


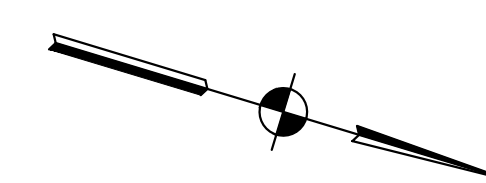
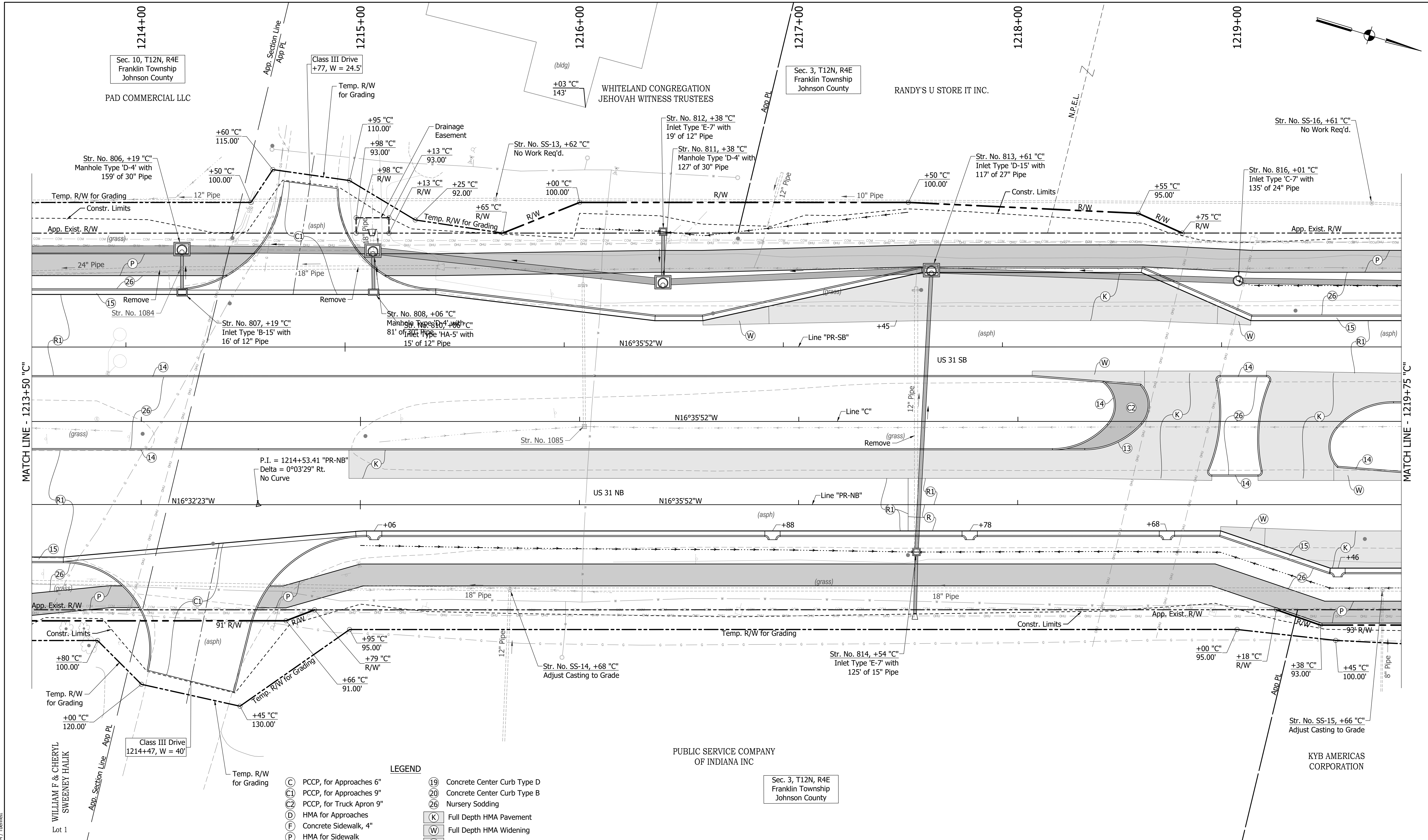
3/17/2022 4:38 PM / TheStreet

- LEGEND**
- (C) PCCP, for Approaches 6"
  - (9) PCCP, for Approaches 9"
  - (2) PCCP, for Truck Apron 9"
  - (K) HMA for Approaches
  - (F) Concrete Sidewalk, 4"
  - (P) HMA for Sidewalk
  - (H) Concrete Curb Ramp
  - (13) Concrete Curb Type B
  - (14) Concrete Curb
  - (15) Combined Conc. Curb & Gutter
  - (16) Combined Conc. Curb & Gutter (Dry)
  - (17) Curb and Gutter, Roll Curb
  - (19) Concrete Center Curb Type D
  - (20) Concrete Center Curb Type B
  - (26) Nursery Sodding
  - (K) Full Depth HMA Pavement
  - (W) Full Depth HMA Widening
  - (P1) Full Depth HMA Patching
  - (R) Mill & Overlay
  - (R1) Mill & Overlay w/Wedge & Level
  - (GP) Grass Pavers
  - (X) Removal

(See Typical Sheet for Additional Details)



RECOMMENDED FOR APPROVAL		DESIGN ENGINEER		DATE		INDIANA DEPARTMENT OF TRANSPORTATION		HORIZONTAL SCALE		BRIDGE FILE	
						CONSTRUCTION DETAILS		1" = 20'			
DESIGNED: MAM		DRAWN: RTB						VERTICAL SCALE		DESIGNATION	
CHECKED: MAB		CHECKED: MAM						N/A		1800082	
								SURVEY BOOK		SHEETS	
								121		of 440	
								CONTRACT		PROJECT	
								R-41481		1800082	



MATCH LINE - 1213+50 "C"

MATCH LINE - 1219+75 "C"

- LEGEND**
- (C) PCCP, for Approaches 6"
  - (C1) PCCP, for Approaches 9"
  - (C2) PCCP, for Truck Apron 9"
  - (D) HMA for Approaches
  - (F) Concrete Sidewalk, 4"
  - (P) HMA for Sidewalk
  - (H) Concrete Curb Ramp
  - (13) Concrete Curb Type B
  - (14) Concrete Curb
  - (15) Combined Conc. Curb & Gutter
  - (16) Combined Conc. Curb & Gutter (Dry)
  - (17) Curb and Gutter, Roll Curb
  - (19) Concrete Center Curb Type D
  - (20) Concrete Center Curb Type B
  - (26) Nursery Sodding
  - (K) Full Depth HMA Pavement
  - (W) Full Depth HMA Widening
  - (P1) Full Depth HMA Patching
  - (R) Mill & Overlay
  - (R1) Mill & Overlay w/Wedge & Level
  - (GP) Grass Pavers
  - (X) Removal
- (See Typical Sheet for Additional Details)

DIRECTORY PATH : R:\Active\Franklin, OH\105 31\Design\CAD\Plans  
 FILENAME : CD-NORTH.dwg  
 DATE/TIME : 3/17/2022 4:38 PM / Theanet  
 USER : DANIELDORR

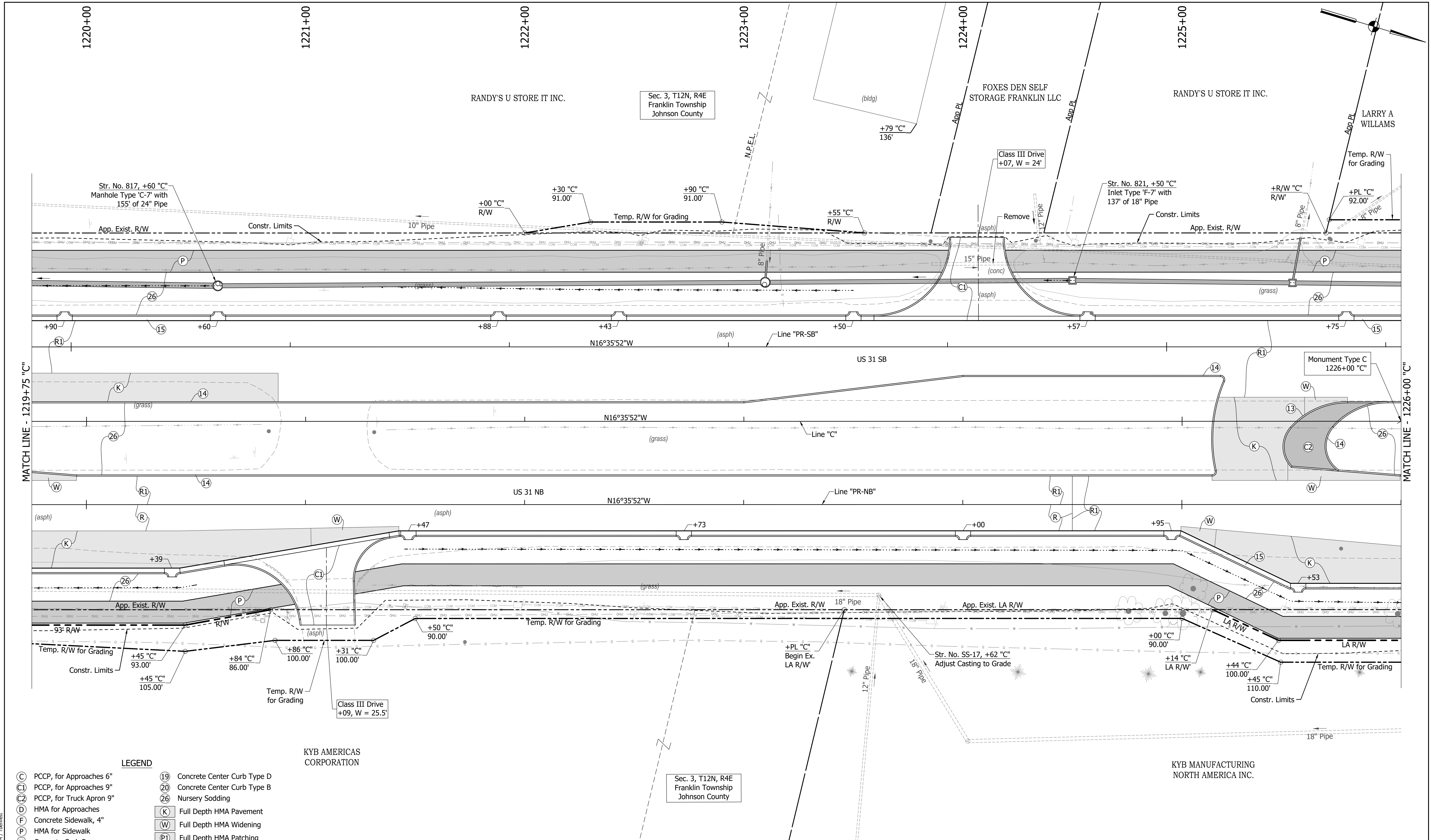
Sec. 3, T12N, R4E  
Franklin Township  
Johnson County

RECOMMENDED FOR APPROVAL	DESIGN ENGINEER	DATE
DESIGNED: MAM	DRAWN: RTB	
CHECKED: MAB	CHECKED: MAM	

INDIANA  
DEPARTMENT OF TRANSPORTATION

**CONSTRUCTION  
DETAILS**

HORIZONTAL SCALE	BRIDGE FILE
1"=20'	
VERTICAL SCALE	DESIGNATION
N/A	1800082
SURVEY BOOK	SHEETS
	122 of 440
CONTRACT	PROJECT
R-41481	1800082



MATCH LINE - 1219+75 "C"

MATCH LINE - 1226+00 "C"

**LEGEND**

- |      |                                    |      |                                |
|------|------------------------------------|------|--------------------------------|
| (C)  | PCCP, for Approaches 6"            | (19) | Concrete Center Curb Type D    |
| (C1) | PCCP, for Approaches 9"            | (20) | Concrete Center Curb Type B    |
| (C2) | PCCP, for Truck Apron 9"           | (26) | Nursery Sodding                |
| (D)  | HMA for Approaches                 | (K)  | Full Depth HMA Pavement        |
| (F)  | Concrete Sidewalk, 4"              | (W)  | Full Depth HMA Widening        |
| (P)  | HMA for Sidewalk                   | (P1) | Full Depth HMA Patching        |
| (H)  | Concrete Curb Ramp                 | (R)  | Mill & Overlay                 |
| (13) | Concrete Curb Type B               | (R1) | Mill & Overlay w/Wedge & Level |
| (14) | Concrete Curb                      | (GP) | Grass Pavers                   |
| (15) | Combined Conc. Curb & Gutter       | (X)  | Removal                        |
| (16) | Combined Conc. Curb & Gutter (Dry) |      |                                |
| (17) | Curb and Gutter, Roll Curb         |      |                                |
- (See Typical Sheet for Additional Details)

KYB AMERICAS CORPORATION

KYB MANUFACTURING NORTH AMERICA INC.

RECOMMENDED FOR APPROVAL	DESIGN ENGINEER	DATE
DESIGNED: MAM	DRAWN: RTB	
CHECKED: MAB	CHECKED: MAM	

**INDIANA  
DEPARTMENT OF TRANSPORTATION**

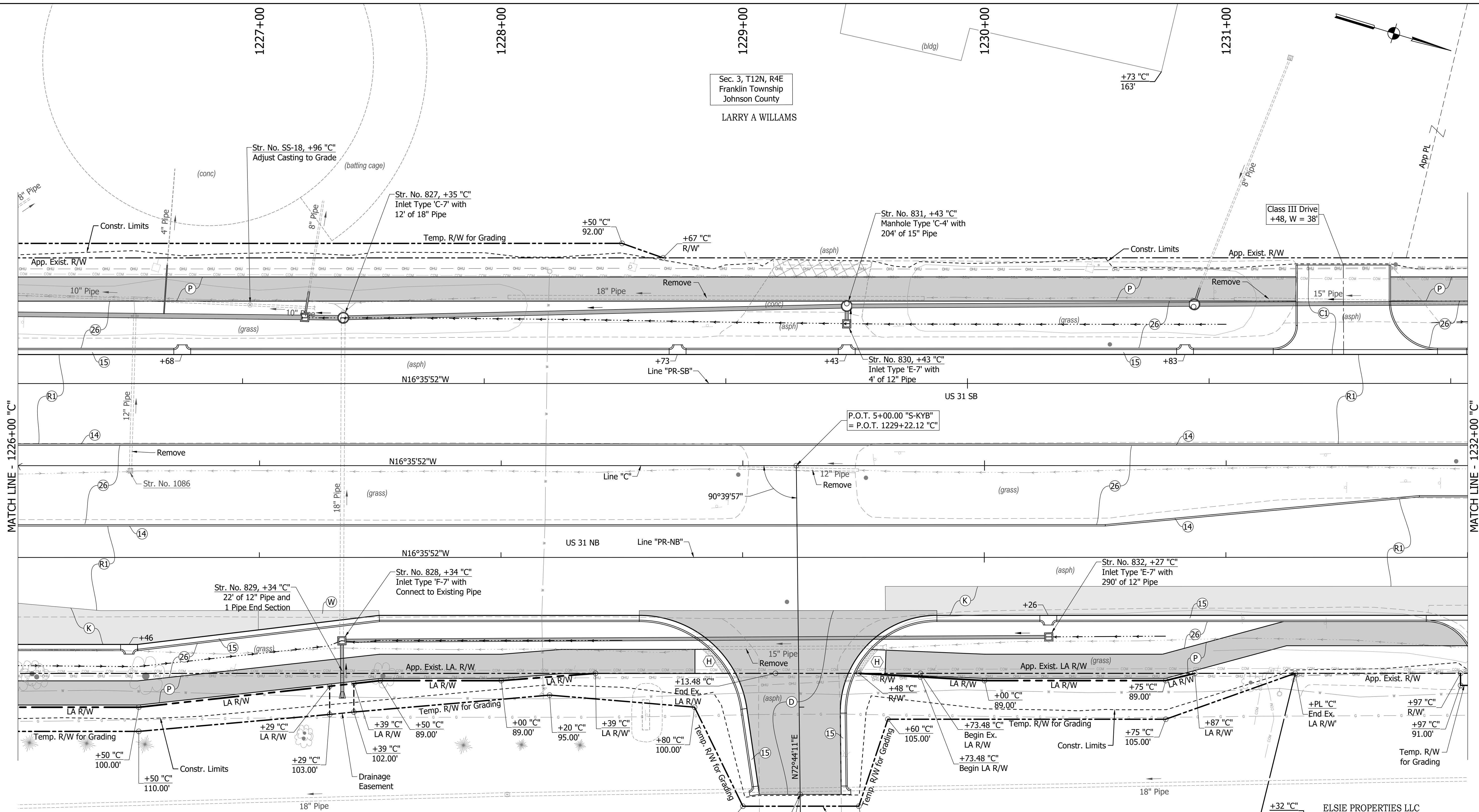
**CONSTRUCTION  
DETAILS**

HORIZONTAL SCALE	BRIDGE FILE
1"=20'	
VERTICAL SCALE	DESIGNATION
N/A	1800082
SURVEY BOOK	SHEETS
	123 of 440
CONTRACT	PROJECT
R-41481	1800082

DIRECTORY PATH : R:\Active\Franklin\_Civil\US 31\Design\CAD\Plans  
 FILENAME : CD-NORTH.dwg  
 DATE/TIME : 3/17/2022 4:38 PM / Theomet

Sec. 3, T12N, R4E  
Franklin Township  
Johnson County

LARRY A WILLIAMS



MATCH LINE - 1226+00 'C'

MATCH LINE - 1232+00 'C'

**LEGEND**

- |      |                                    |      |                                |
|------|------------------------------------|------|--------------------------------|
| (C)  | PCCP, for Approaches 6"            | (19) | Concrete Center Curb Type D    |
| (C)  | PCCP, for Approaches 9"            | (20) | Concrete Center Curb Type B    |
| (2)  | PCCP, for Truck Apron 9"           | (26) | Nursery Sodding                |
| (D)  | HMA for Approaches                 | (K)  | Full Depth HMA Pavement        |
| (F)  | Concrete Sidewalk, 4"              | (W)  | Full Depth HMA Widening        |
| (P)  | HMA for Sidewalk                   | (P1) | Full Depth HMA Patching        |
| (H)  | Concrete Curb Ramp                 | (R)  | Mill & Overlay                 |
| (13) | Concrete Curb Type B               | (R1) | Mill & Overlay w/Wedge & Level |
| (14) | Concrete Curb                      | (GP) | Grass Pavers                   |
| (15) | Combined Conc. Curb & Gutter       | (X)  | Removal                        |
| (16) | Combined Conc. Curb & Gutter (Dry) |      |                                |
| (17) | Curb and Gutter, Roll Curb         |      |                                |

(See Typical Sheet for Additional Details)

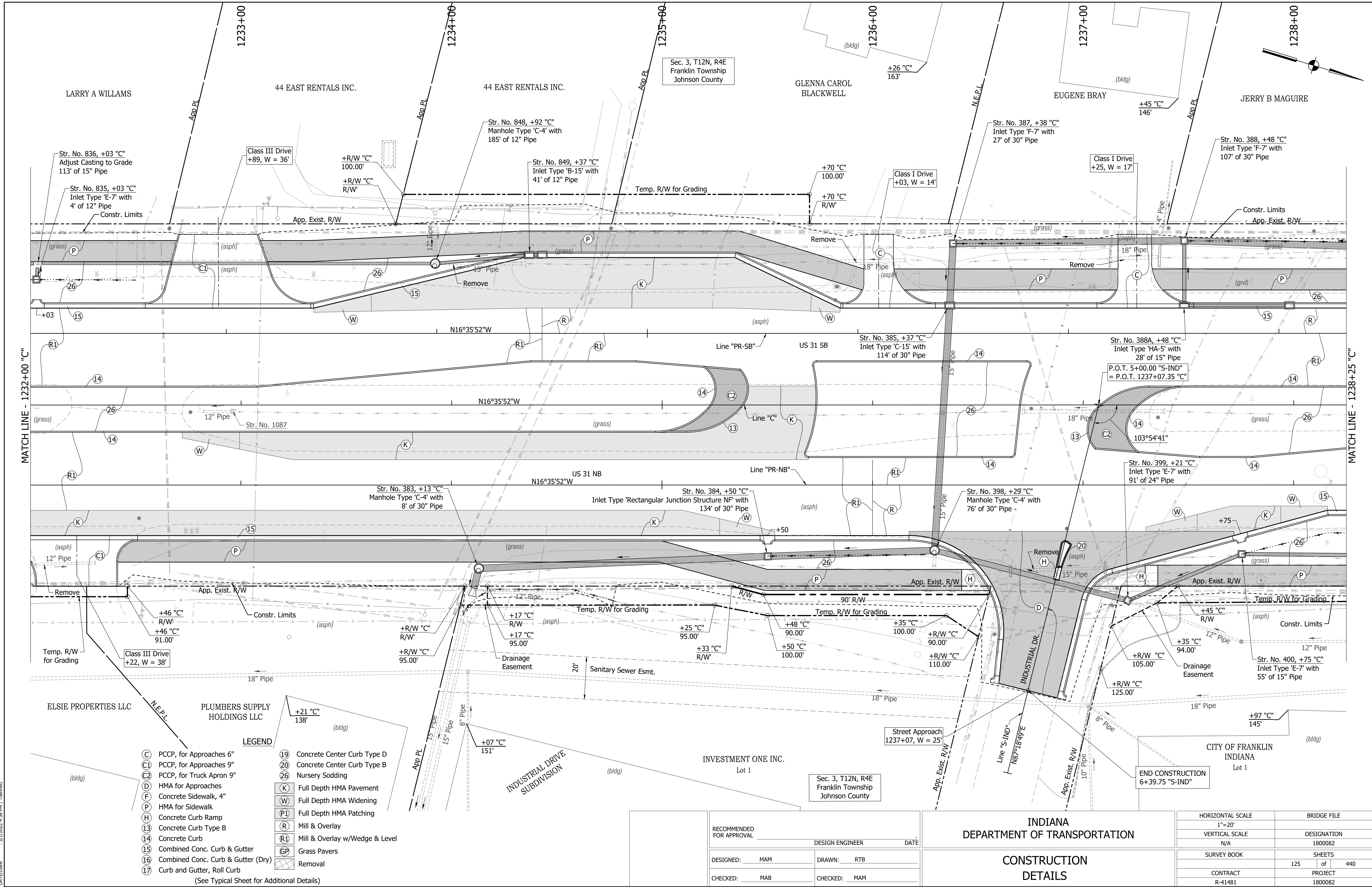
DIRECTORY PATH : R:\Active\Franklin\_Civil\US 31\Design\CAD\Plans  
 FILENAME : CD-NORTH.dwg  
 DATE/TIME : 3/17/2022 4:38 PM / Theomet

RECOMMENDED FOR APPROVAL	DESIGN ENGINEER	DATE
DESIGNED: MAM	DRAWN: RTB	
CHECKED: MAB	CHECKED: MAM	

**INDIANA  
DEPARTMENT OF TRANSPORTATION**

**CONSTRUCTION  
DETAILS**

HORIZONTAL SCALE	BRIDGE FILE
1"=20'	
VERTICAL SCALE	DESIGNATION
N/A	1800082
SURVEY BOOK	SHEETS
	124 of 440
CONTRACT	PROJECT
R-41481	1800082



MATCH LINE - 1232+00 'C'

MATCH LINE - 1238+25 'C'

- |      |                                    |      |                                |
|------|------------------------------------|------|--------------------------------|
| (C)  | PCCP, for Approaches 6"            | (19) | Concrete Center Curb Type D    |
| (C1) | PCCP, for Approaches 9"            | (20) | Concrete Center Curb Type B    |
| (C2) | PCCP, for Truck Apron 9"           | (26) | Nursery Sodding                |
| (D)  | HMA for Approaches                 | (K)  | Full Depth HMA Pavement        |
| (F)  | Concrete Sidewalk, 4"              | (W)  | Full Depth HMA Widening        |
| (P)  | HMA for Sidewalk                   | (P1) | Full Depth HMA Patching        |
| (H)  | Concrete Curb Ramp                 | (R)  | Mill & Overlay                 |
| (13) | Concrete Curb Type B               | (R1) | Mill & Overlay w/Wedge & Level |
| (14) | Concrete Curb                      | (GP) | Grass Pavers                   |
| (15) | Combined Conc. Curb & Gutter       | (X)  | Removal                        |
| (16) | Combined Conc. Curb & Gutter (Dry) |      |                                |
| (17) | Curb and Gutter, Roll Curb         |      |                                |

(See Typical Sheet for Additional Details)

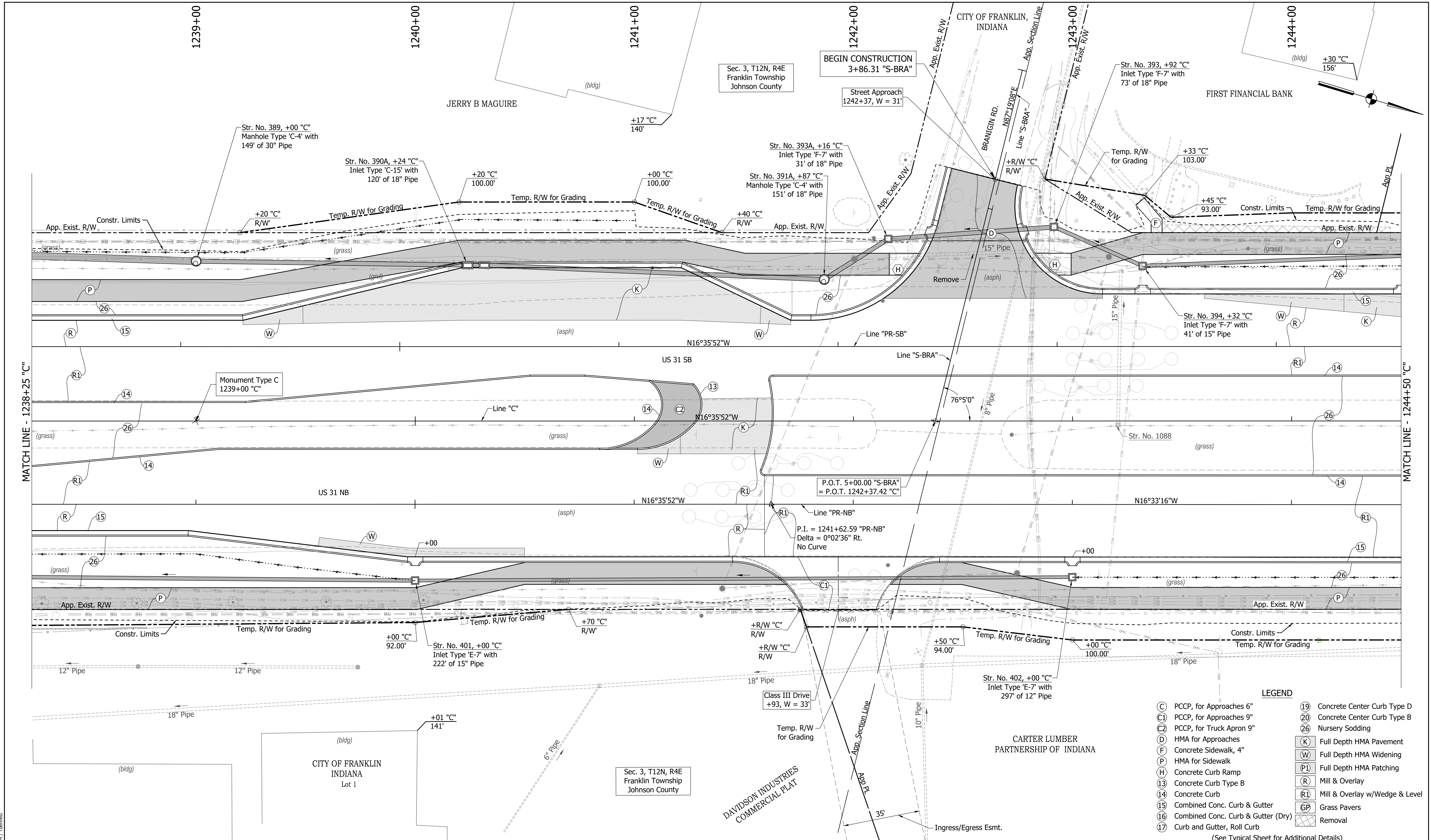
RECOMMENDED FOR APPROVAL	DESIGN ENGINEER	DATE
DESIGNED: MAM	DRAWN: RTB	
CHECKED: MAB	CHECKED: MAM	

**INDIANA DEPARTMENT OF TRANSPORTATION**

**CONSTRUCTION DETAILS**

HORIZONTAL SCALE	BRIDGE FILE
1"=20'	
VERTICAL SCALE	DESIGNATION
N/A	1800082
SURVEY BOOK	SHEETS
	125 of 440
CONTRACT	PROJECT
R-41481	1800082

DIRECTORY PATH : R:\Active\Franklin, CIVIL\3\Design\CAD\Plans  
 FILENAME : CD-NORTH\1.dwg  
 DATE/TIME : 3/17/2022 4:38 PM / Theomet



**LEGEND**

(C)	PCCP, for Approaches 6"	(19)	Concrete Center Curb Type D
(C1)	PCCP, for Approaches 9"	(20)	Concrete Center Curb Type B
(C2)	PCCP, for Truck Apron 9"	(26)	Nursery Sodding
(D)	HMA for Approaches	(K)	Full Depth HMA Pavement
(F)	Concrete Sidewalk, 4"	(W)	Full Depth HMA Widening
(H)	HMA for Sidewalk	(P1)	Full Depth HMA Patching
(R)	Concrete Curb Ramp	(R)	Mill & Overlay
(13)	Concrete Curb Type B	(R1)	Mill & Overlay w/Wedge & Level
(14)	Concrete Curb	(GP)	Grass Pavers
(15)	Combined Conc. Curb & Gutter	(GP)	Removal
(16)	Combined Conc. Curb & Gutter (Dry)		
(17)	Curb and Gutter, Roll Curb		

(See Typical Sheet for Additional Details)

RECOMMENDED FOR APPROVAL	DESIGN ENGINEER	DATE
DESIGNED: MAM	DRAWN: RTB	
CHECKED: MAB	CHECKED: MAM	

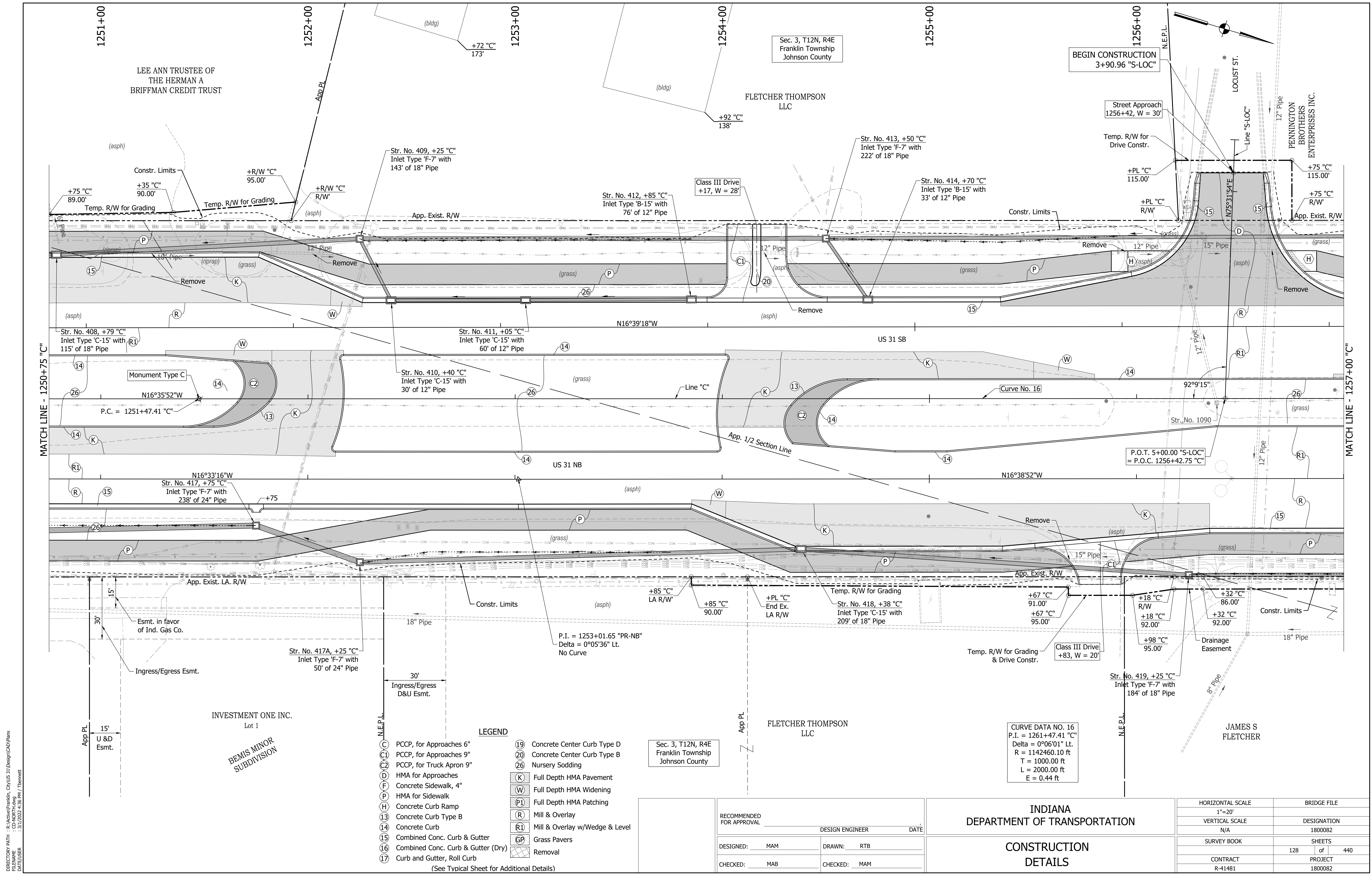
**INDIANA  
DEPARTMENT OF TRANSPORTATION**

**CONSTRUCTION  
DETAILS**

HORIZONTAL SCALE	BRIDGE FILE
1"=20'	
VERTICAL SCALE	DESIGNATION
N/A	1800082
SURVEY BOOK	SHEETS
	126 of 440
CONTRACT	PROJECT
R-41481	1800082

DIRECTORY PATH : R:\Active\Franklin, CIVIUS 3\Design\CAD\Plans  
 FILENAME : CD-NORTH\I.dwg  
 DATE/TIME : 3/17/2022 4:38 PM / Theomet





MATCH LINE - 1250+75 "C"

MATCH LINE - 1257+00 "C"

- LEGEND**
- (C) PCCP, for Approaches 6"
  - (C1) PCCP, for Approaches 9"
  - (C2) PCCP, for Truck Apron 9"
  - (D) HMA for Approaches
  - (F) Concrete Sidewalk, 4"
  - (P) HMA for Sidewalk
  - (H) Concrete Curb Ramp
  - (13) Concrete Curb Type B
  - (14) Concrete Curb
  - (15) Combined Conc. Curb & Gutter
  - (16) Combined Conc. Curb & Gutter (Dry)
  - (17) Curb and Gutter, Roll Curb
  - (19) Concrete Center Curb Type D
  - (20) Concrete Center Curb Type B
  - (26) Nursery Sodding
  - (K) Full Depth HMA Pavement
  - (W) Full Depth HMA Widening
  - (P1) Full Depth HMA Patching
  - (R) Mill & Overlay
  - (R1) Mill & Overlay w/Wedge & Level
  - (GP) Grass Pavers
  - (Remove) Removal
- (See Typical Sheet for Additional Details)

**CURVE DATA NO. 16**  
 P.I. = 1261+47.41 "C"  
 Delta = 0°06'01" Lt.  
 R = 1142460.10 ft  
 T = 1000.00 ft  
 L = 2000.00 ft  
 E = 0.44 ft

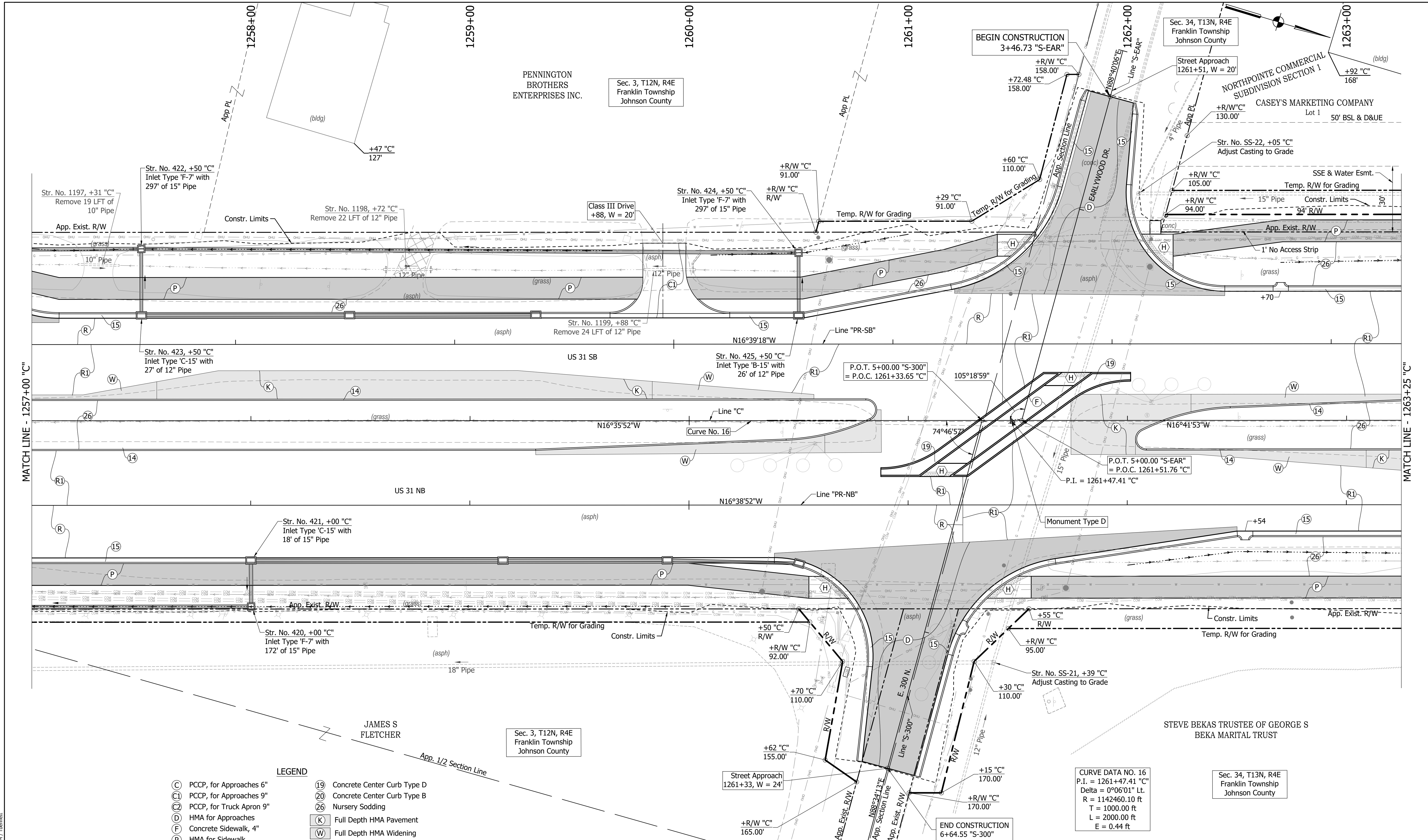
DIRECTORY PATH : R:\Active\Franklin, CIVIL\3\Design\CAD\Plans  
 FILENAME : CD-NORTH.dwg  
 DATE/TIME : 3/17/2022 4:38 PM / Thebmet  
 USER : DANIEL USER

RECOMMENDED FOR APPROVAL	DESIGN ENGINEER	DATE
DESIGNED: MAM	DRAWN: RTB	
CHECKED: MAB	CHECKED: MAM	

**INDIANA**  
**DEPARTMENT OF TRANSPORTATION**  
  
**CONSTRUCTION**  
**DETAILS**

HORIZONTAL SCALE	BRIDGE FILE
1"=20'	
VERTICAL SCALE	DESIGNATION
N/A	1800082
SURVEY BOOK	SHEETS
	128 of 440
CONTRACT	PROJECT
R-41481	1800082





MATCH LINE - 1257+00 "C"

MATCH LINE - 1263+25 "C"

- LEGEND**
- (C) PCCP, for Approaches 6"
  - (C1) PCCP, for Approaches 9"
  - (C2) PCCP, for Truck Apron 9"
  - (D) HMA for Approaches
  - (F) Concrete Sidewalk, 4"
  - (H) HMA for Sidewalk
  - (P) Concrete Curb Ramp
  - (13) Concrete Curb Type B
  - (14) Concrete Curb
  - (15) Combined Conc. Curb & Gutter
  - (16) Combined Conc. Curb & Gutter (Dry)
  - (17) Curb and Gutter, Roll Curb
  - (19) Concrete Center Curb Type D
  - (20) Concrete Center Curb Type B
  - (26) Nursery Sodding
  - (K) Full Depth HMA Pavement
  - (W) Full Depth HMA Widening
  - (P1) Full Depth HMA Patching
  - (R) Mill & Overlay
  - (R1) Mill & Overlay w/Wedge & Level
  - (GP) Grass Pavers
  - (X) Removal
- (See Typical Sheet for Additional Details)

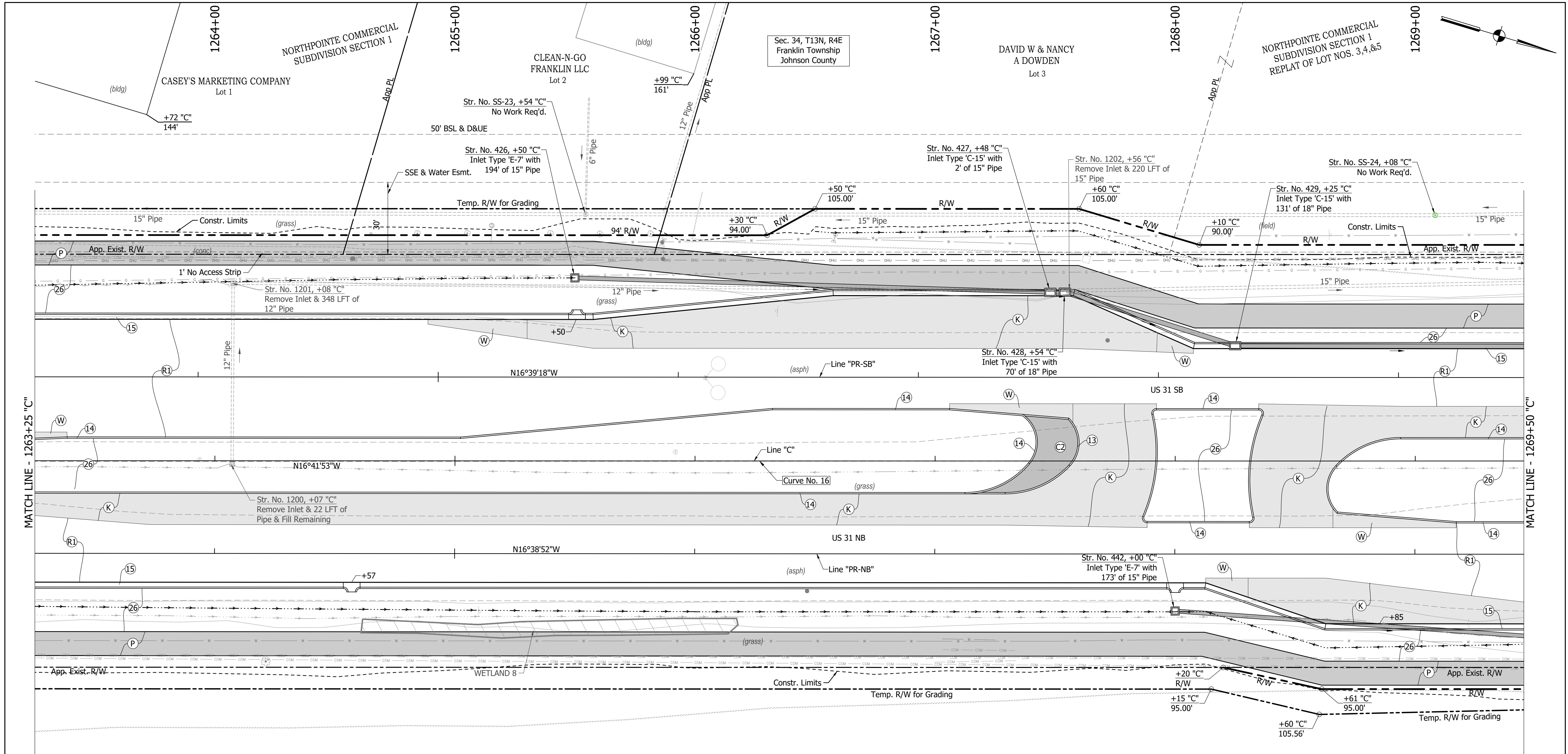
RECOMMENDED FOR APPROVAL	DESIGN ENGINEER	DATE
DESIGNED: MAM	DRAWN: RTB	
CHECKED: MAB	CHECKED: MAM	

**INDIANA  
DEPARTMENT OF TRANSPORTATION**

**CONSTRUCTION  
DETAILS**

HORIZONTAL SCALE	BRIDGE FILE
1"=20'	
VERTICAL SCALE	DESIGNATION
N/A	1800082
SURVEY BOOK	SHEETS
	129 of 440
CONTRACT	PROJECT
R-41481	1800082

DIRECTORY PATH : R:\Active\Franklin, OH\105 31\Design\CAD\Plans  
 FILENAME : CD-NORTH\105  
 DATE/TIME : 3/17/2022 4:38 PM / Theanet



MATCH LINE - 1263+25 'C'

MATCH LINE - 1269+50 'C'

STEVE BEKAS TRUSTEE OF GEORGE S BEKA MARITAL TRUST

Sec. 34, T13N, R4E  
Franklin Township  
Johnson County

CURVE DATA NO. 16  
P.I. = 1261+47.41 'C'  
Delta = 0°06'01" Lt.  
R = 1142460.10 ft  
T = 1000.00 ft  
L = 2000.00 ft  
E = 0.44 ft

**LEGEND**

(C) PCCP, for Approaches 6"	(19) Concrete Center Curb Type D
(C1) PCCP, for Approaches 9"	(20) Concrete Center Curb Type B
(C2) PCCP, for Truck Apron 9"	(26) Nursery Sodding
(D) HMA for Approaches	(K) Full Depth HMA Pavement
(F) Concrete Sidewalk, 4"	(W) Full Depth HMA Widening
(P) HMA for Sidewalk	(P1) Full Depth HMA Patching
(H) Concrete Curb Ramp	(R) Mill & Overlay
(13) Concrete Curb Type B	(R1) Mill & Overlay w/Wedge & Level
(14) Concrete Curb	(GP) Grass Pavers
(15) Combined Conc. Curb & Gutter	(GP) Removal
(16) Combined Conc. Curb & Gutter (Dry)	
(17) Curb and Gutter, Roll Curb	

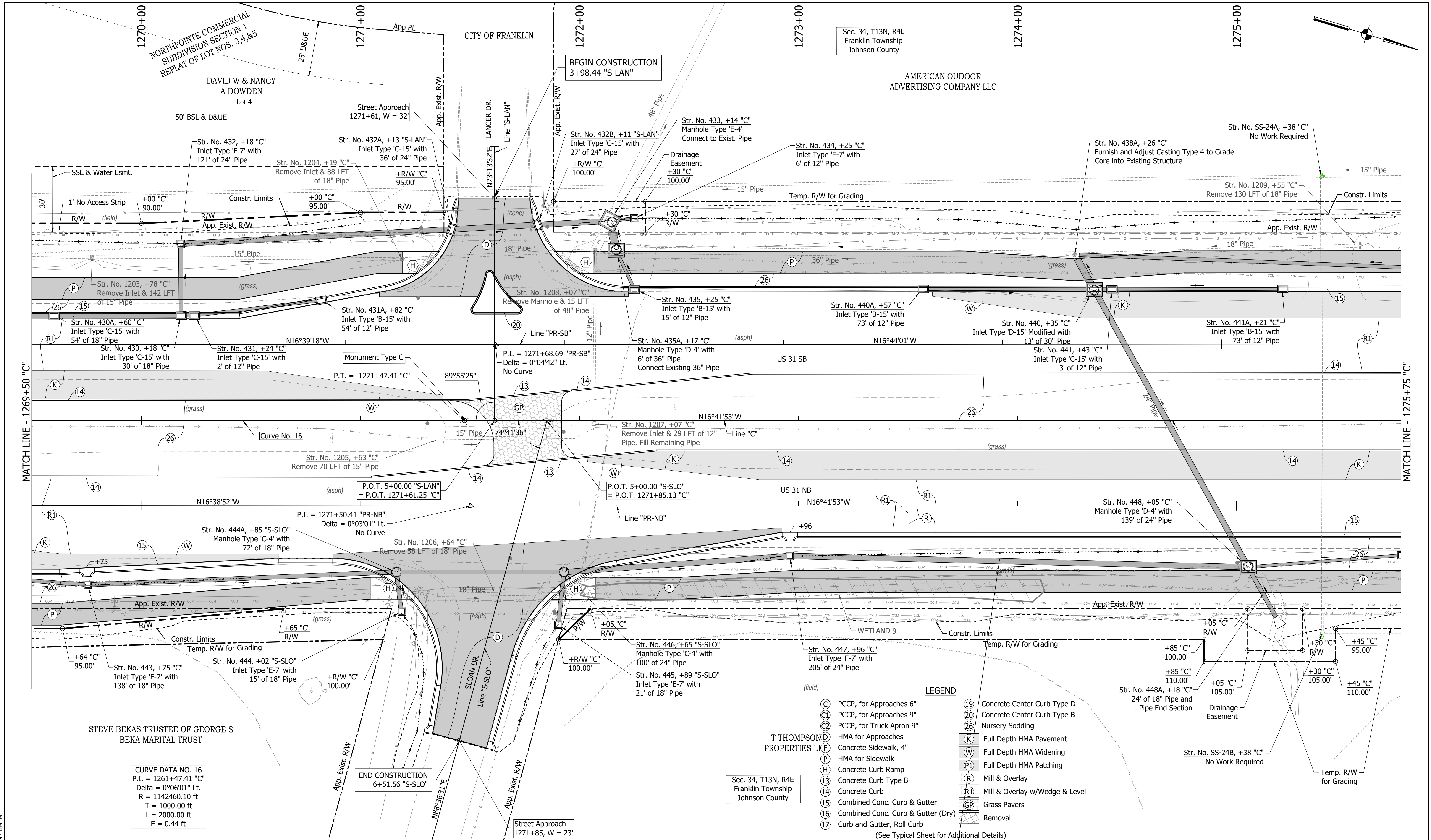
(See Typical Sheet for Additional Details)

RECOMMENDED FOR APPROVAL	DESIGN ENGINEER	DATE
DESIGNED: MAM	DRAWN: RTB	
CHECKED: MAB	CHECKED: MAM	

INDIANA  
DEPARTMENT OF TRANSPORTATION  
  
CONSTRUCTION  
DETAILS

HORIZONTAL SCALE	BRIDGE FILE
1"=20'	
VERTICAL SCALE	DESIGNATION
N/A	1800082
SURVEY BOOK	SHEETS
	130 of 440
CONTRACT	PROJECT
R-41481	1800082

DIRECTORY PATH : R:\Active\Franklin\_City\US 31\Design\CAD\Plans  
 FILENAME : CD-NORTH.dwg  
 DATE/TIME : 3/7/2022 4:38 PM / Theomet



**CURVE DATA NO. 16**  
 P.I. = 1261+47.41 "C"  
 Delta = 0°06'01" Lt.  
 R = 1142460.10 ft  
 T = 1000.00 ft  
 L = 2000.00 ft  
 E = 0.44 ft

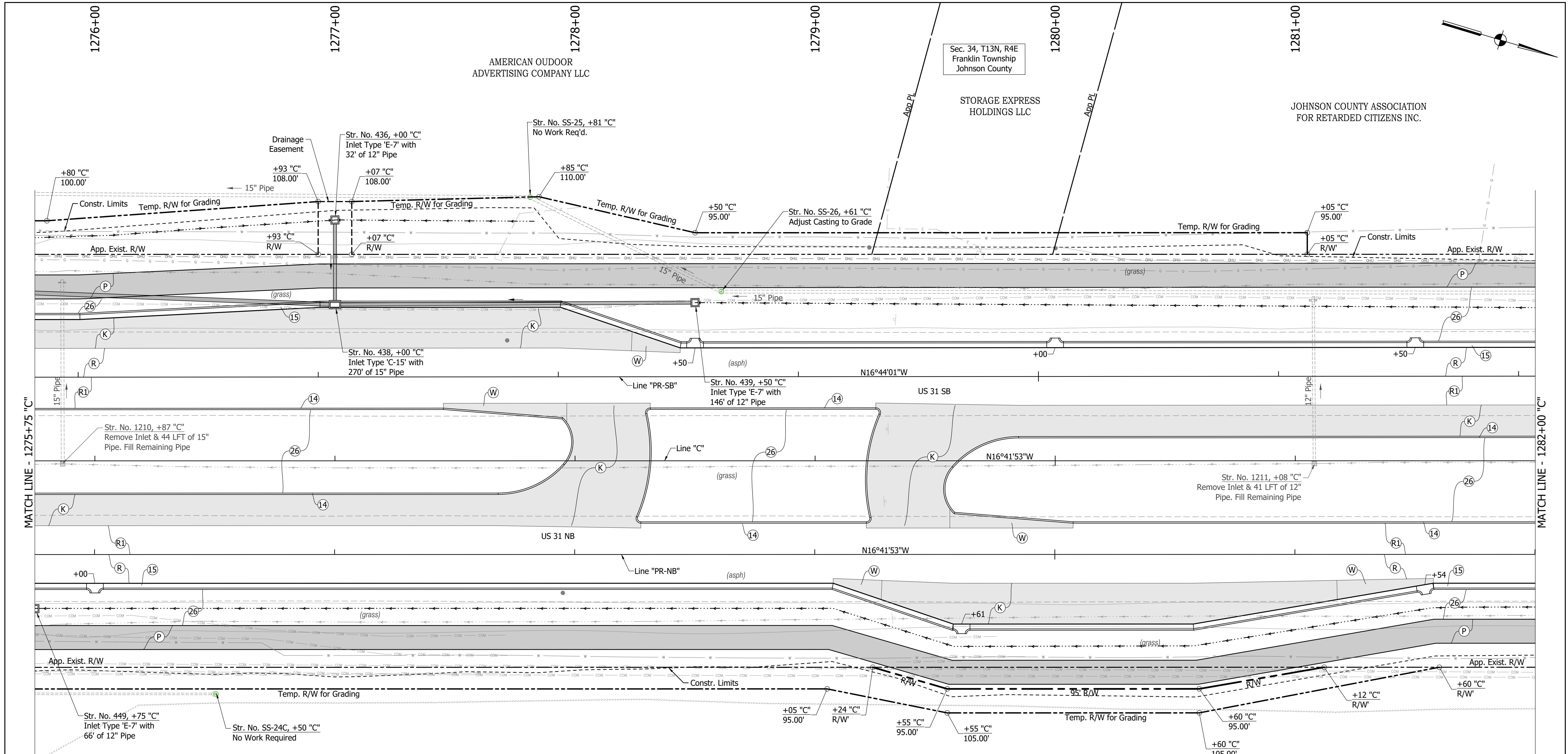
Sec. 34, T13N, R4E  
 Franklin Township  
 Johnson County

RECOMMENDED FOR APPROVAL	DESIGN ENGINEER	DATE
DESIGNED: MAM	DRAWN: RTB	
CHECKED: MAB	CHECKED: MAM	

INDIANA  
 DEPARTMENT OF TRANSPORTATION  
 CONSTRUCTION  
 DETAILS

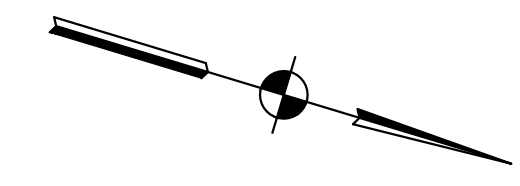
HORIZONTAL SCALE	BRIDGE FILE
1"=20'	
VERTICAL SCALE	DESIGNATION
N/A	1800082
SURVEY BOOK	SHEETS
	131 of 440
CONTRACT	PROJECT
R-41481	1800082

DIRECTORY PATH : R:\Active\Franklin, CIVIUS 3\Design\CAD\Plans  
 FILENAME : CD-NORTH.dwg  
 DATE/TIME : 3/17/2022 4:38 PM / Theomet



MATCH LINE - 1275+75 "C"

MATCH LINE - 1282+00 "C"



- LEGEND**
- (C) PCCP, for Approaches 6"
  - (C1) PCCP, for Approaches 9"
  - (C2) PCCP, for Truck Apron 9"
  - (D) HMA for Approaches
  - (F) Concrete Sidewalk, 4"
  - (P) HMA for Sidewalk
  - (H) Concrete Curb Ramp
  - (13) Concrete Curb Type B
  - (14) Concrete Curb
  - (15) Combined Conc. Curb & Gutter
  - (16) Combined Conc. Curb & Gutter (Dry)
  - (17) Curb and Gutter, Roll Curb
  - (19) Concrete Center Curb Type D
  - (20) Concrete Center Curb Type B
  - (26) Nursery Sodding
  - (K) Full Depth HMA Pavement
  - (W) Full Depth HMA Widening
  - (P1) Full Depth HMA Patching
  - (R) Mill & Overlay
  - (R1) Mill & Overlay w/Wedge & Level
  - (GP) Grass Pavers
  - (X) Removal

(See Typical Sheet for Additional Details)

T THOMPSON  
PROPERTIES LLC

Sec. 34, T13N, R4E  
Franklin Township  
Johnson County

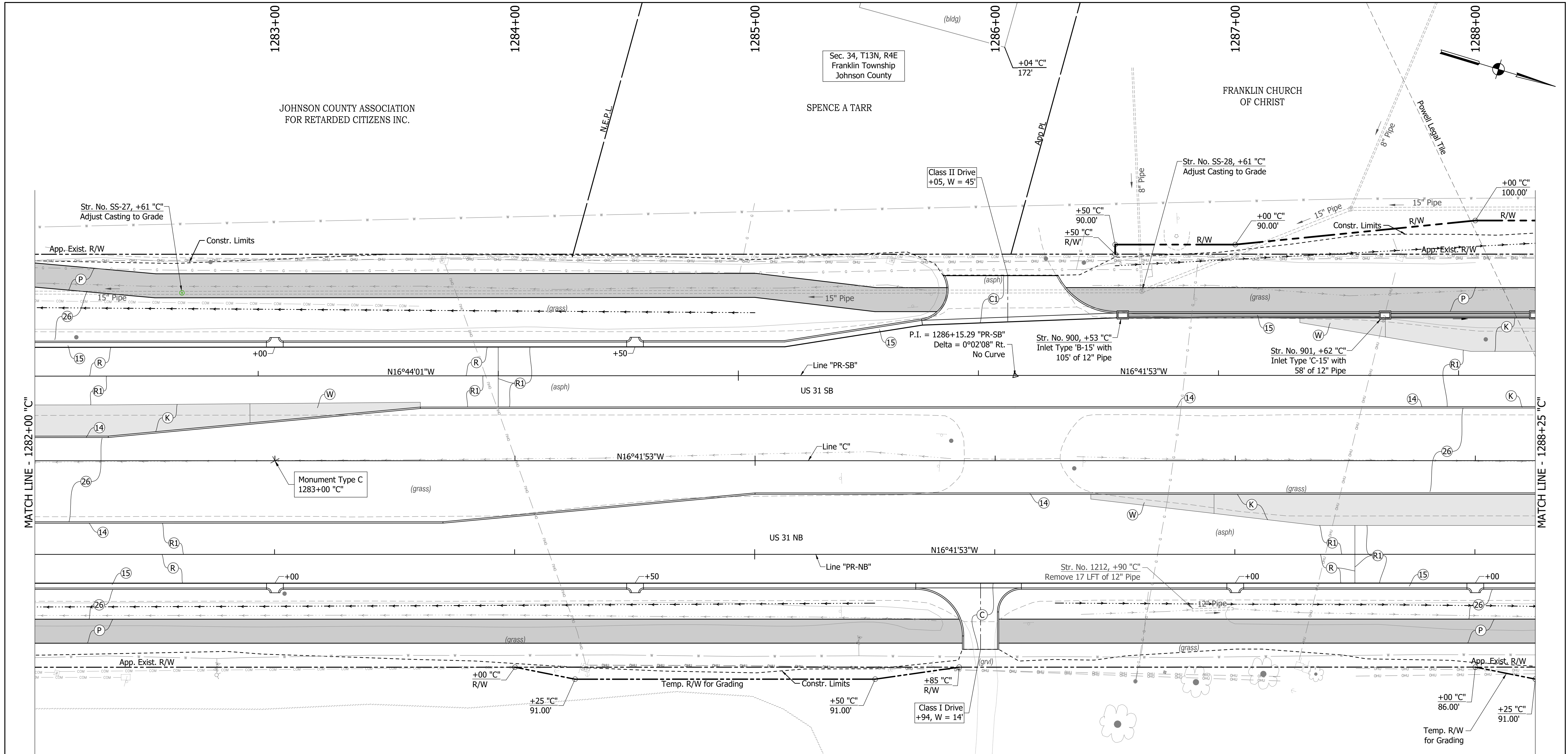
RECOMMENDED FOR APPROVAL	DESIGN ENGINEER	DATE
DESIGNED: MAM	DRAWN: RTB	
CHECKED: MAB	CHECKED: MAM	

INDIANA  
DEPARTMENT OF TRANSPORTATION

CONSTRUCTION  
DETAILS

HORIZONTAL SCALE	BRIDGE FILE
1"=20'	
VERTICAL SCALE	DESIGNATION
N/A	1800082
SURVEY BOOK	SHEETS
	132 of 440
CONTRACT	PROJECT
R-41481	1800082

DIRECTORY PATH : R:\Active\Franklin\_City\US 31\Design\CAD\Plans  
 FILENAME : CD-NORTH.dwg  
 DATE/TIME : 3/7/2022 4:38 PM / Theimet



MATCH LINE - 1282+00 \"C\"

MATCH LINE - 1288+25 \"C\"

T THOMPSON  
PROPERTIES LLC

**LEGEND**

(C)	PCCP, for Approaches 6"	(19)	Concrete Center Curb Type D
(C1)	PCCP, for Approaches 9"	(20)	Concrete Center Curb Type B
(C2)	PCCP, for Truck Apron 9"	(26)	Nursery Sodding
(D)	HMA for Approaches	(K)	Full Depth HMA Pavement
(F)	Concrete Sidewalk, 4"	(W)	Full Depth HMA Widening
(P)	HMA for Sidewalk	(P1)	Full Depth HMA Patching
(H)	Concrete Curb Ramp	(R)	Mill & Overlay
(13)	Concrete Curb Type B	(R1)	Mill & Overlay w/Wedge & Level
(14)	Concrete Curb	(GP)	Grass Pavers
(15)	Combined Conc. Curb & Gutter	(X)	Removal
(16)	Combined Conc. Curb & Gutter (Dry)		
(17)	Curb and Gutter, Roll Curb		

(See Tynical Sheet for Additional Details)

Sec. 34, T13N, R4E  
Franklin Township  
Johnson County

RECOMMENDED FOR APPROVAL	DESIGN ENGINEER	DATE
DESIGNED: MAM	DRAWN: RTB	
CHECKED: MAB	CHECKED: MAM	

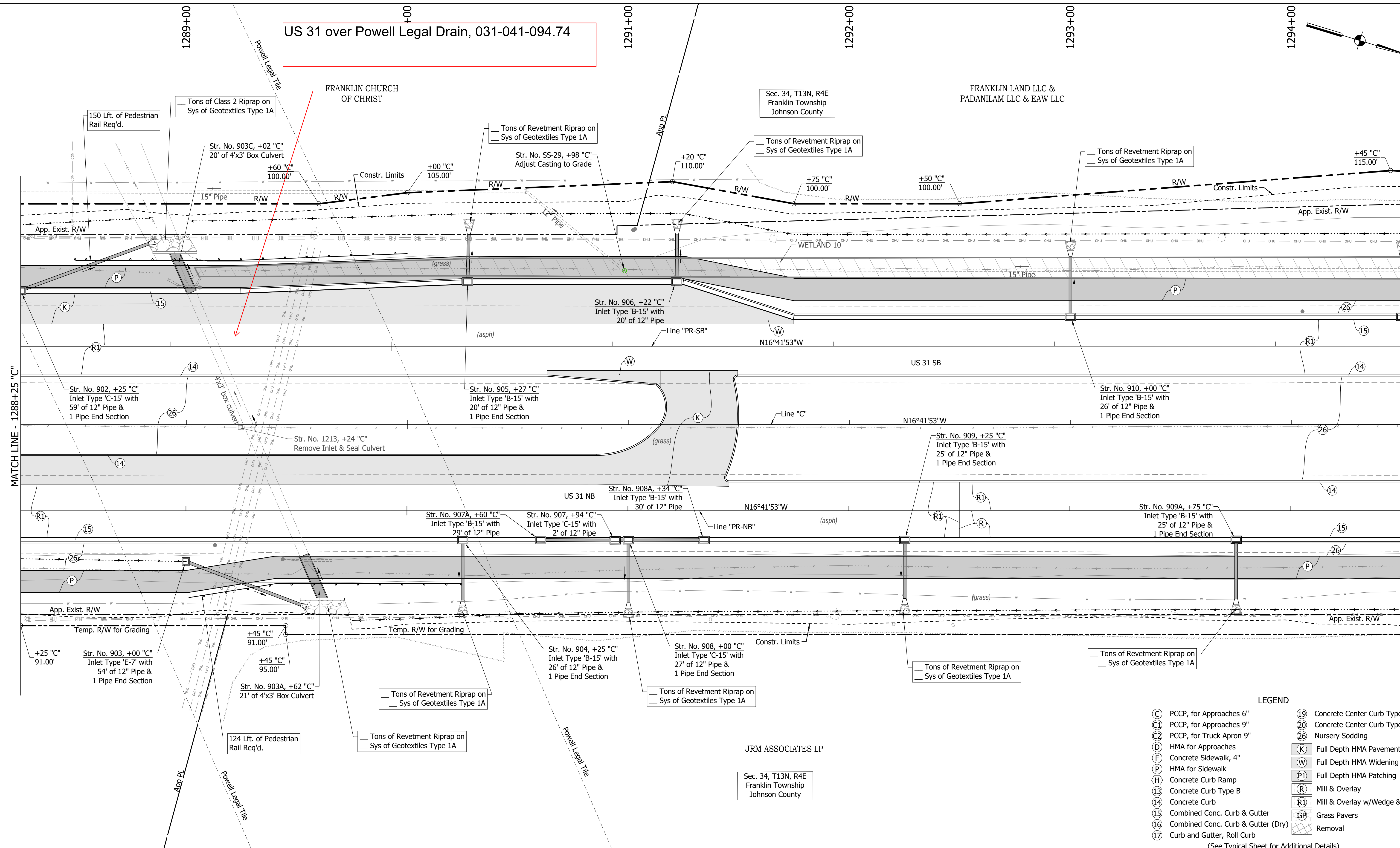
INDIANA  
DEPARTMENT OF TRANSPORTATION

CONSTRUCTION  
DETAILS

HORIZONTAL SCALE	BRIDGE FILE
1"=20'	
VERTICAL SCALE	DESIGNATION
N/A	1800082
SURVEY BOOK	SHEETS
	133 of 440
CONTRACT	PROJECT
R-41481	1800082

DIRECTORY PATH : R:\Active\Franklin\_City\US 31\Design\CAD\Plans  
FILENAME : CD-NORTH.dwg  
DATE/USER : 3/7/2022 4:38 PM / Tthommet

US 31 over Powell Legal Drain, 031-041-094.74



**LEGEND**

(C)	PCCP, for Approaches 6"	(19)	Concrete Center Curb Type D
(C1)	PCCP, for Approaches 9"	(20)	Concrete Center Curb Type B
(C2)	PCCP, for Truck Apron 9"	(26)	Nursery Sodding
(D)	HMA for Approaches	(K)	Full Depth HMA Pavement
(F)	Concrete Sidewalk, 4"	(W)	Full Depth HMA Widening
(P)	HMA for Sidewalk	(P1)	Full Depth HMA Patching
(H)	Concrete Curb Ramp	(R)	Mill & Overlay
(13)	Concrete Curb Type B	(R1)	Mill & Overlay w/Wedge & Level
(14)	Concrete Curb	(GP)	Grass Pavers
(15)	Combined Conc. Curb & Gutter	(GP)	Removal
(16)	Combined Conc. Curb & Gutter (Dry)		
(17)	Curb and Gutter, Roll Curb		

(See Typical Sheet for Additional Details)

DIRECTORY PATH : R:\Active\Franklin, OH\US 31 Design\CAD\Plans  
 FILENAME : 031-NORTH.dwg  
 DATE/TIME : 3/17/2022 4:38 PM / Theomet

JRM ASSOCIATES LP  
 Sec. 34, T13N, R4E  
 Franklin Township  
 Johnson County

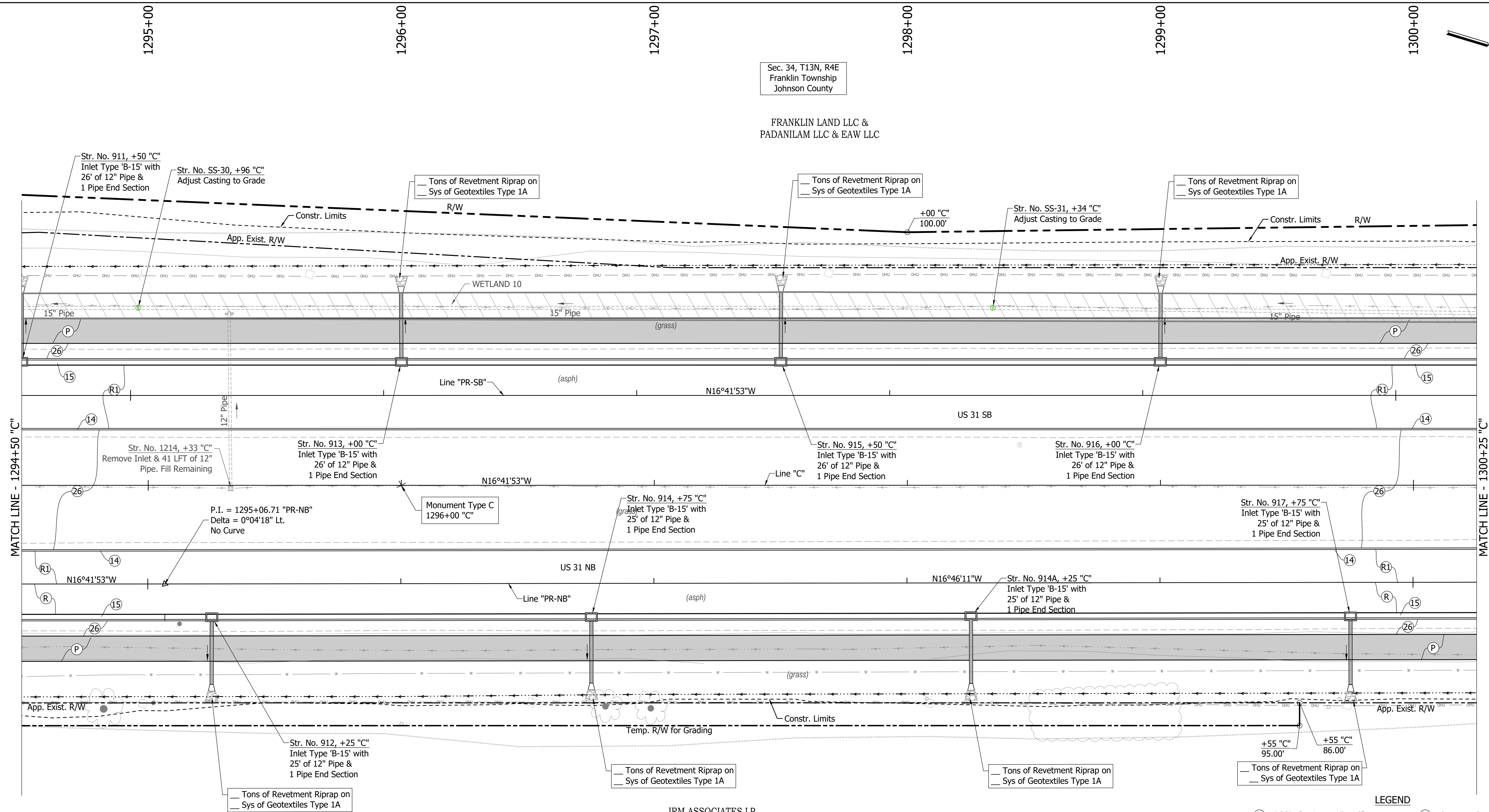
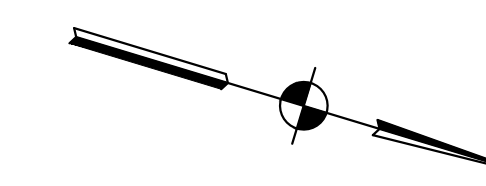
RECOMMENDED FOR APPROVAL	DESIGN ENGINEER	DATE
DESIGNED: MAM	DRAWN: RTB	
CHECKED: MAB	CHECKED: MAM	

INDIANA  
 DEPARTMENT OF TRANSPORTATION  
 CONSTRUCTION  
 DETAILS

HORIZONTAL SCALE	BRIDGE FILE
1"=20'	
VERTICAL SCALE	DESIGNATION
N/A	1800082
SURVEY BOOK	SHEETS
	134 of 440
CONTRACT	PROJECT
R-41481	1800082

Sec. 34, T13N, R4E  
Franklin Township  
Johnson County

FRANKLIN LAND LLC &  
PADANILAM LLC & EAW LLC



MATCH LINE - 1294+50 "C"

MATCH LINE - 1300+25 "C"

JRM ASSOCIATES LP

Sec. 34, T13N, R4E  
Franklin Township  
Johnson County

**LEGEND**

(C) PCCP, for Approaches 6"	(19) Concrete Center Curb Type D
(C1) PCCP, for Approaches 9"	(20) Concrete Center Curb Type B
(C2) PCCP, for Truck Apron 9"	(26) Nursery Sodding
(D) HMA for Approaches	(K) Full Depth HMA Pavement
(F) Concrete Sidewalk, 4"	(W) Full Depth HMA Widening
(P) HMA for Sidewalk	(P1) Full Depth HMA Patching
(H) Concrete Curb Ramp	(R) Mill & Overlay
(13) Concrete Curb Type B	(R1) Mill & Overlay w/Wedge & Level
(14) Concrete Curb	(GP) Grass Pavers
(15) Combined Conc. Curb & Gutter	(17) Removal
(16) Combined Conc. Curb & Gutter (Dry)	
(17) Curb and Gutter, Roll Curb	

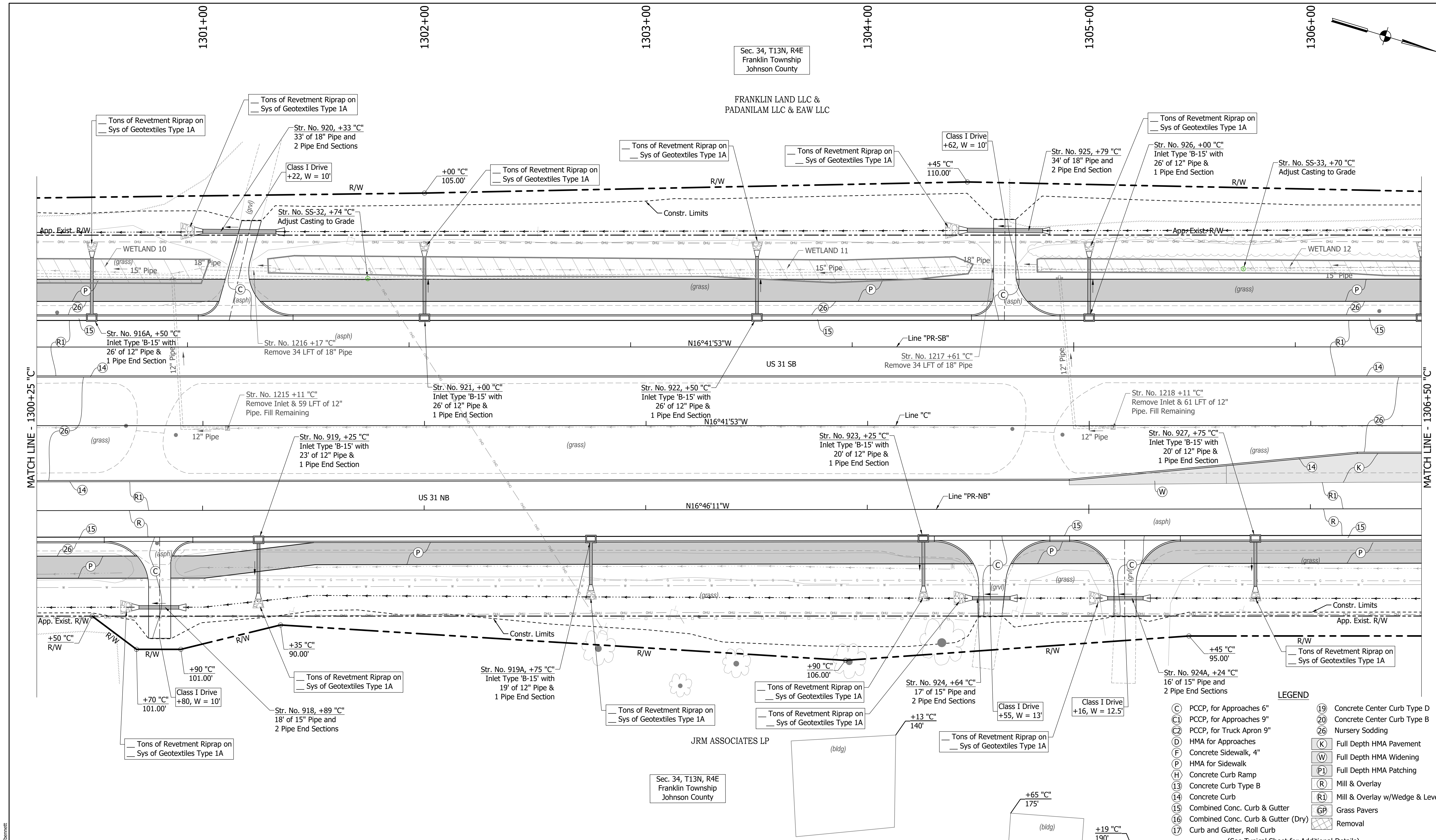
(See Typical Sheet for Additional Details)

Directory Path: R:\Active\Franklin\_City\US 31\Design\CAD\Plans  
Filename: 3172022\_438\_P17\_1Sheet.dwg  
Date/Time: 3/17/2022 4:38 PM / JThornet

RECOMMENDED FOR APPROVAL	DESIGN ENGINEER	DATE
DESIGNED: MAM	DRAWN: RTB	
CHECKED: MAB	CHECKED: MAM	

INDIANA  
DEPARTMENT OF TRANSPORTATION  
  
CONSTRUCTION  
DETAILS

HORIZONTAL SCALE	BRIDGE FILE
1"=20'	
VERTICAL SCALE	DESIGNATION
N/A	1800082
SURVEY BOOK	SHEETS
	135 of 440
CONTRACT	PROJECT
R-41481	1800082



**LEGEND**

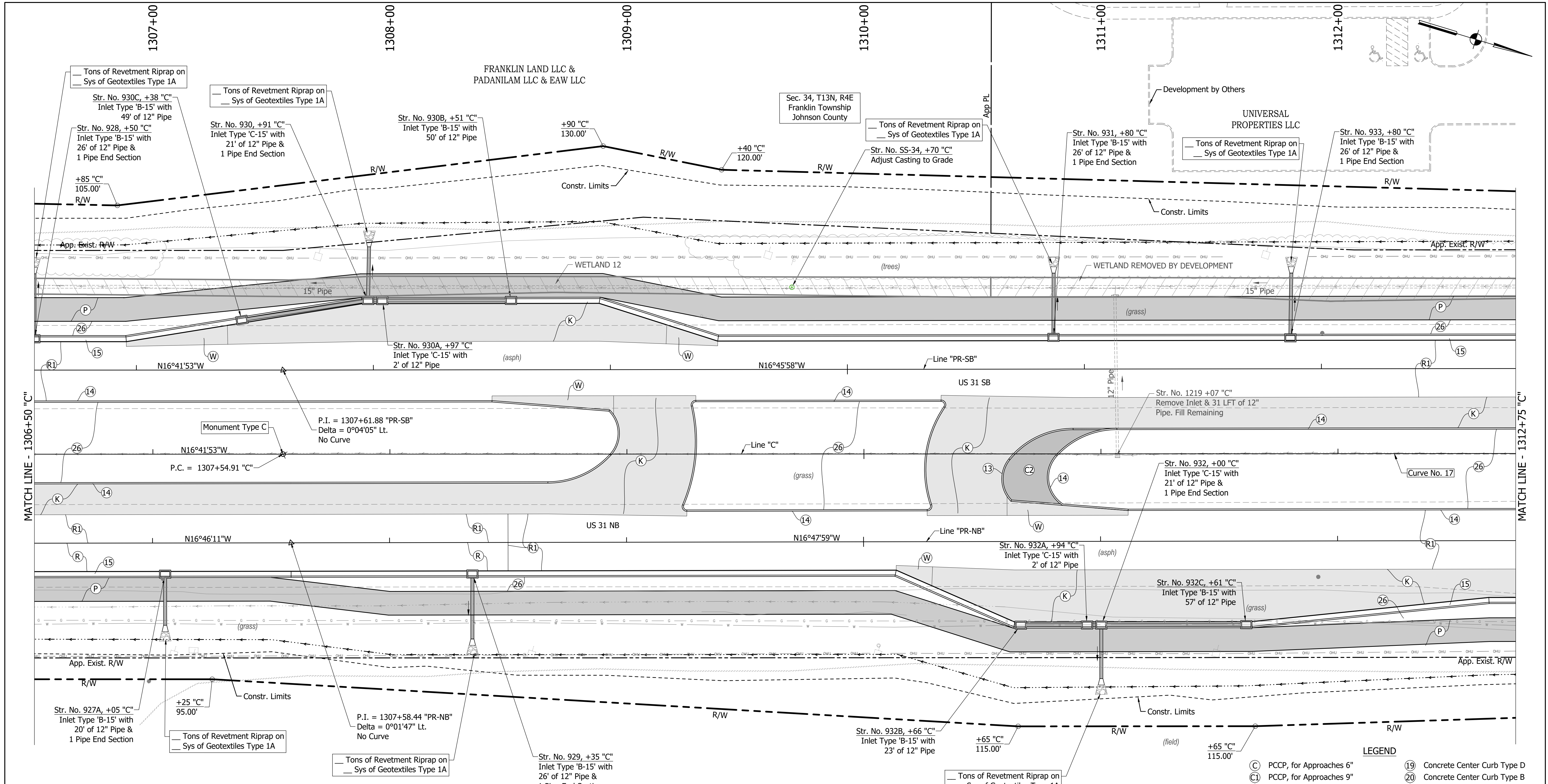
(C)	PCCP, for Approaches 6"	(19)	Concrete Center Curb Type D
(C1)	PCCP, for Approaches 9"	(20)	Concrete Center Curb Type B
(C2)	PCCP, for Truck Apron 9"	(26)	Nursery Sodding
(D)	HMA for Approaches	(K)	Full Depth HMA Pavement
(F)	Concrete Sidewalk, 4"	(W)	Full Depth HMA Widening
(H)	HMA for Sidewalk	(P)	Full Depth HMA Patching
(R)	Concrete Curb Ramp	(R1)	Mill & Overlay
(13)	Concrete Curb Type B	(14)	Concrete Curb
(14)	Concrete Curb	(15)	Combined Conc. Curb & Gutter
(15)	Combined Conc. Curb & Gutter (Dry)	(16)	Combined Conc. Curb & Gutter (Dry)
(16)	Combined Conc. Curb & Gutter (Dry)	(17)	Curb and Gutter, Roll Curb
(17)	Curb and Gutter, Roll Curb	(GP)	Grass Pavers
		(X)	Removal

(See Typical Sheet for Additional Details)

DIRECTORY PATH : R:\Active\Franklin, Ohio\31\Design\CAD\Plans  
 FILENAME : 31-NORTH-IND-31-17-2022-4-30-PM / 17sheet  
 DATE/TIME : 3/17/2022 4:30 PM / 17sheet

RECOMMENDED FOR APPROVAL		DESIGN ENGINEER		DATE	<b>INDIANA DEPARTMENT OF TRANSPORTATION</b>  <b>CONSTRUCTION DETAILS</b>		HORIZONTAL SCALE		BRIDGE FILE	
							1"=20'		DESIGNATION	
DESIGNED: MAM		DRAWN: RTB					N/A		1800082	
CHECKED: MAM		CHECKED: MAM			SURVEY BOOK		SHEETS			
					136		of 440			
					CONTRACT		PROJECT			
					R-41481		1800082			





**LEGEND**

(C)	PCCP, for Approaches 6"	(19)	Concrete Center Curb Type D
(C1)	PCCP, for Approaches 9"	(20)	Concrete Center Curb Type B
(C2)	PCCP, for Truck Apron 9"	(26)	Nursery Sodding
(D)	HMA for Approaches	(K)	Full Depth HMA Pavement
(F)	Concrete Sidewalk, 4"	(W)	Full Depth HMA Widening
(P)	HMA for Sidewalk	(P1)	Full Depth HMA Patching
(H)	Concrete Curb Ramp	(R)	Mill & Overlay
(13)	Concrete Curb Type B	(R1)	Mill & Overlay w/Wedge & Level
(14)	Concrete Curb	(15)	Combined Conc. Curb & Gutter
(15)	Combined Conc. Curb & Gutter	(16)	Combined Conc. Curb & Gutter (Dry)
(16)	Combined Conc. Curb & Gutter (Dry)	(GP)	Grass Pavers
(17)	Curb and Gutter, Roll Curb	(GP)	Removal

**CURVE DATA NO. 17**  
 P.I. = 1317+54.91 "C"  
 Delta = 0°12'00" Lt.  
 R = 572959.62 ft  
 T = 1000.00 ft  
 L = 2000.00 ft  
 E = 0.87 ft

JRM ASSOCIATES LP  
 Sec. 34, T13N, R4E  
 Franklin Township  
 Johnson County

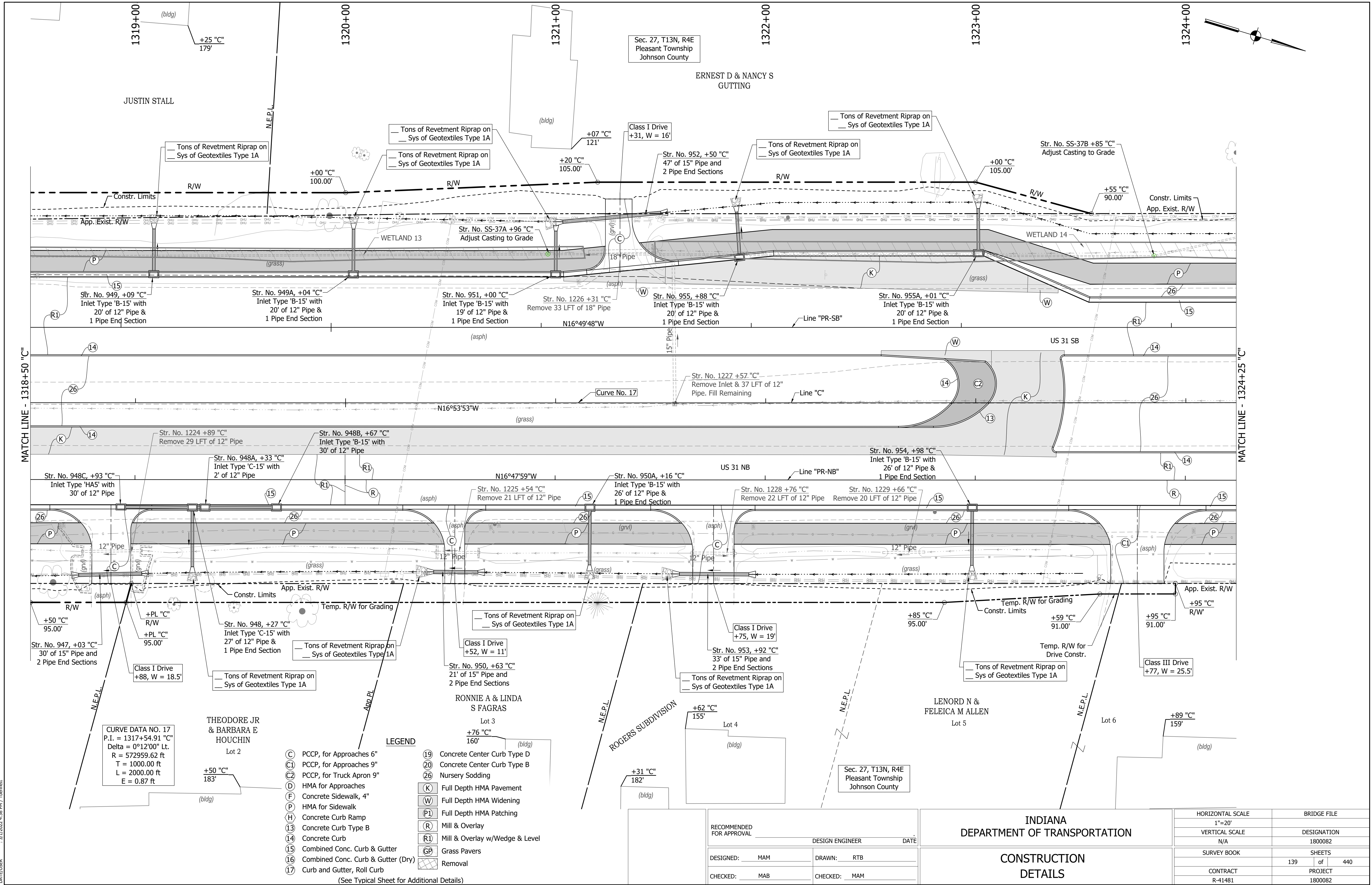
RECOMMENDED FOR APPROVAL	DESIGN ENGINEER	DATE
DESIGNED: MAM	DRAWN: RTB	
CHECKED: MAB	CHECKED: MAM	

INDIANA  
 DEPARTMENT OF TRANSPORTATION  
 CONSTRUCTION  
 DETAILS

HORIZONTAL SCALE	BRIDGE FILE
1"=20'	
VERTICAL SCALE	DESIGNATION
N/A	1800082
SURVEY BOOK	SHEETS
	137 of 440
CONTRACT	PROJECT
R-41481	1800082

DIRECTORY PATH : R:\Active\Franklin\_CIVIL\3\Design\CAD\Plans  
 FILENAME : CD-NORTH.dwg  
 DATE/TIME : 3/17/2022 4:38 PM / Theomet





Sec. 27, T13N, R4E  
Pleasant Township  
Johnson County

ERNEST D & NANCY S  
GUTTING

JUSTIN STALL

LENORD N &  
FELEICA M ALLEN

RONNIE A & LINDA  
S PAGRAS

THEODORE JR  
& BARBARA E  
HOUCHIN

ROGERS SUBDIVISION

CURVE DATA NO. 17  
P.I. = 1317+54.91 "C"  
Delta = 0°12'00" Lt.  
R = 572959.62 ft  
T = 1000.00 ft  
L = 2000.00 ft  
E = 0.87 ft

- LEGEND**
- (C) PCCP, for Approaches 6"
  - (C1) PCCP, for Approaches 9"
  - (C2) PCCP, for Truck Apron 9"
  - (D) HMA for Approaches
  - (F) Concrete Sidewalk, 4"
  - (H) HMA for Sidewalk
  - (H) Concrete Curb Ramp
  - (13) Concrete Curb Type B
  - (14) Concrete Curb
  - (15) Combined Conc. Curb & Gutter
  - (16) Combined Conc. Curb & Gutter (Dry)
  - (17) Curb and Gutter, Roll Curb
  - (19) Concrete Center Curb Type D
  - (20) Concrete Center Curb Type B
  - (26) Nursery Sodding
  - (K) Full Depth HMA Pavement
  - (W) Full Depth HMA Widening
  - (P1) Full Depth HMA Patching
  - (R) Mill & Overlay
  - (R1) Mill & Overlay w/Wedge & Level
  - (GP) Grass Pavers
  - (X) Removal
- (See Typical Sheet for Additional Details)

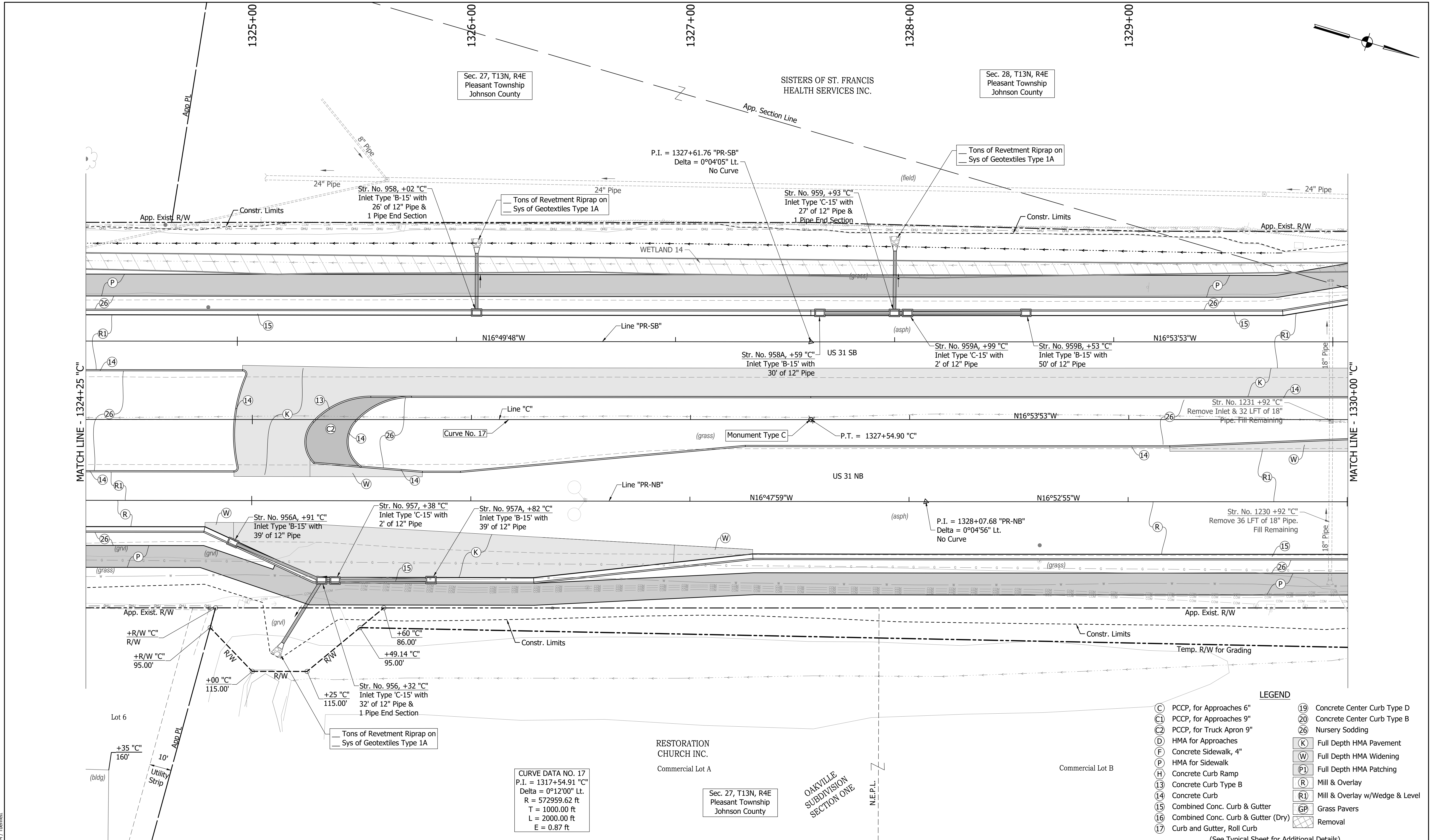
RECOMMENDED FOR APPROVAL	DESIGN ENGINEER	DATE
DESIGNED: MAM	DRAWN: RTB	
CHECKED: MAB	CHECKED: MAM	

INDIANA  
DEPARTMENT OF TRANSPORTATION

**CONSTRUCTION  
DETAILS**

HORIZONTAL SCALE	BRIDGE FILE
1"=20'	
VERTICAL SCALE	DESIGNATION
N/A	1800082
SURVEY BOOK	SHEETS
	139 of 440
CONTRACT	PROJECT
R-41481	1800082

DIRECTORY PATH: R:\Active\Franklin\_CIVIL\3\Design\CAD\Plans  
 FILENAME: 3-17-2022\_4-30 PM / Theomet  
 DATE/TIME: 3/17/2022 4:30 PM / Theomet



**LEGEND**

(C)	PCCP, for Approaches 6"	(19)	Concrete Center Curb Type D
(C1)	PCCP, for Approaches 9"	(20)	Concrete Center Curb Type B
(C2)	PCCP, for Truck Apron 9"	(26)	Nursery Sodding
(D)	HMA for Approaches	(K)	Full Depth HMA Pavement
(F)	Concrete Sidewalk, 4"	(W)	Full Depth HMA Widening
(P)	HMA for Sidewalk	(P1)	Full Depth HMA Patching
(H)	Concrete Curb Ramp	(R)	Mill & Overlay
(13)	Concrete Curb Type B	(R1)	Mill & Overlay w/Wedge & Level
(14)	Concrete Curb	(GP)	Grass Pavers
(15)	Combined Conc. Curb & Gutter	(X)	Removal
(16)	Combined Conc. Curb & Gutter (Dry)		
(17)	Curb and Gutter, Roll Curb		

**CURVE DATA NO. 17**  
 P.I. = 1317+54.91 "C"  
 Delta = 0°12'00" Lt.  
 R = 572959.62 ft  
 T = 1000.00 ft  
 L = 2000.00 ft  
 E = 0.87 ft

RESTORATION CHURCH INC.  
 Commercial Lot A

Sec. 27, T13N, R4E  
 Pleasant Township  
 Johnson County

OKAYVILLE SUBDIVISION SECTION ONE

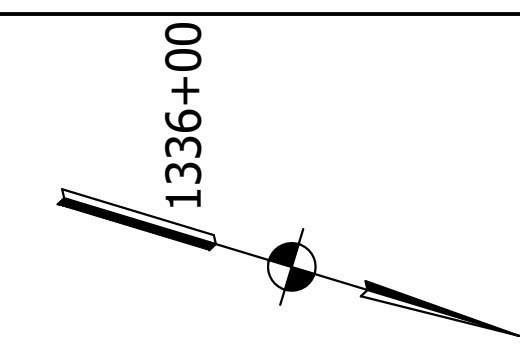
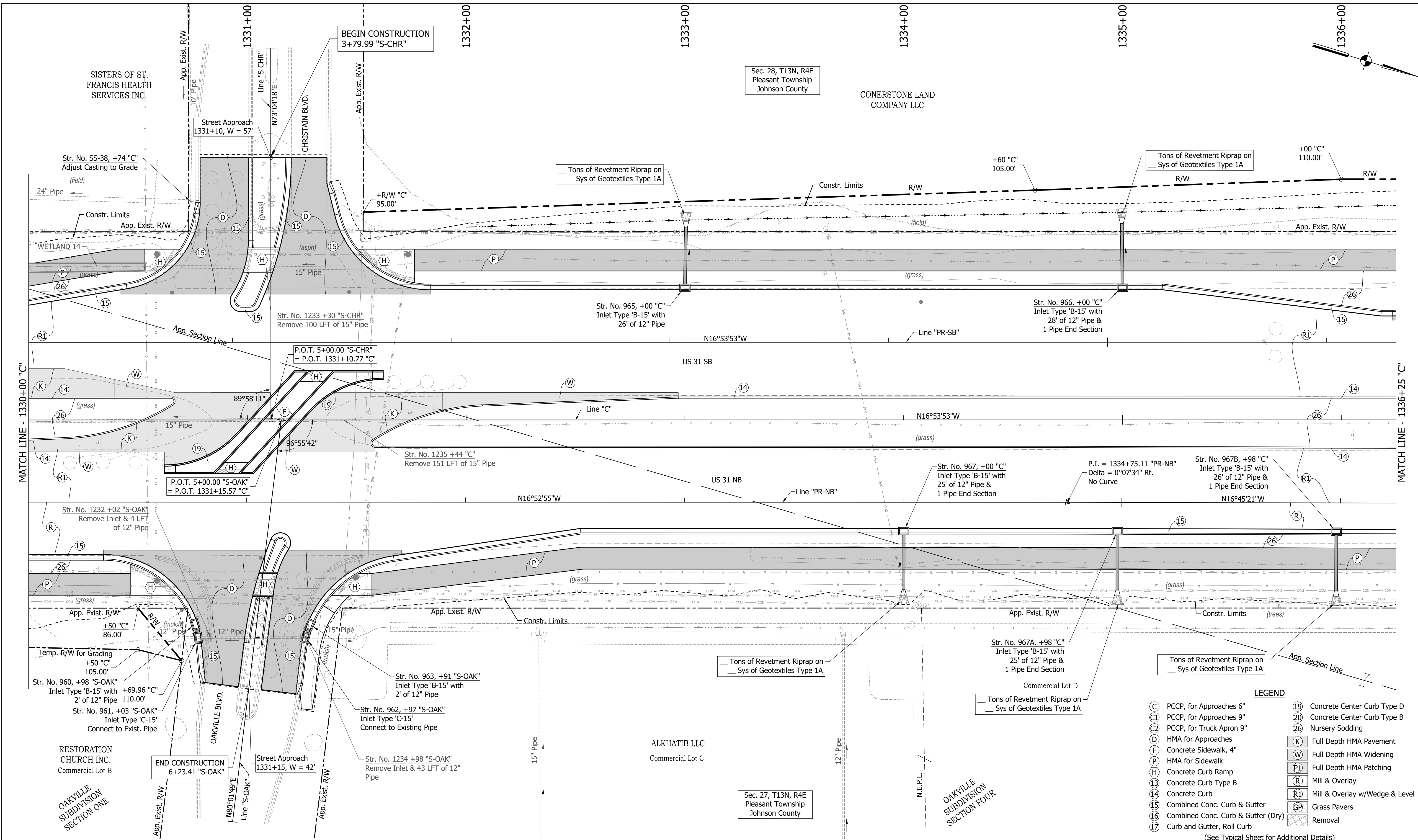
Commercial Lot B

RECOMMENDED FOR APPROVAL	DESIGN ENGINEER	DATE
DESIGNED: MAM	DRAWN: RTB	
CHECKED: MAB	CHECKED: MAM	

INDIANA DEPARTMENT OF TRANSPORTATION  
**CONSTRUCTION DETAILS**

HORIZONTAL SCALE	BRIDGE FILE
1"=20'	
VERTICAL SCALE	DESIGNATION
N/A	1800082
SURVEY BOOK	SHEETS
	140 of 440
CONTRACT	PROJECT
R-41481	1800082

DIRECTORY PATH : R:\Active\Franklin\_Orylus\_3\Design\CAD\Plans  
 FILENAME : CD-NORTH.dwg  
 DATE/TIME : 3/17/2022 4:38 PM / Theomet



MATCH LINE - 1330+00 "C"

MATCH LINE - 1336+25 "C"

**LEGEND**

(C)	PCCP, for Approaches 6"	(19)	Concrete Center Curb Type D
(C1)	PCCP, for Approaches 9"	(20)	Concrete Center Curb Type B
(C2)	PCCP, for Truck Apron 9"	(26)	Nursery Sodding
(D)	HMA for Approaches	(K)	Full Depth HMA Pavement
(F)	Concrete Sidewalk, 4"	(W)	Full Depth HMA Widening
(P)	HMA for Sidewalk	(P1)	Full Depth HMA Patching
(H)	Concrete Curb Ramp	(R)	Mill & Overlay
(13)	Concrete Curb Type B	(R1)	Mill & Overlay w/Wedge & Level
(14)	Concrete Curb	(GP)	Grass Pavers
(15)	Combined Conc. Curb & Gutter	(GP)	Removal
(16)	Combined Conc. Curb & Gutter (Dry)		
(17)	Curb and Gutter, Roll Curb		

(See Typical Sheet for Additional Details)

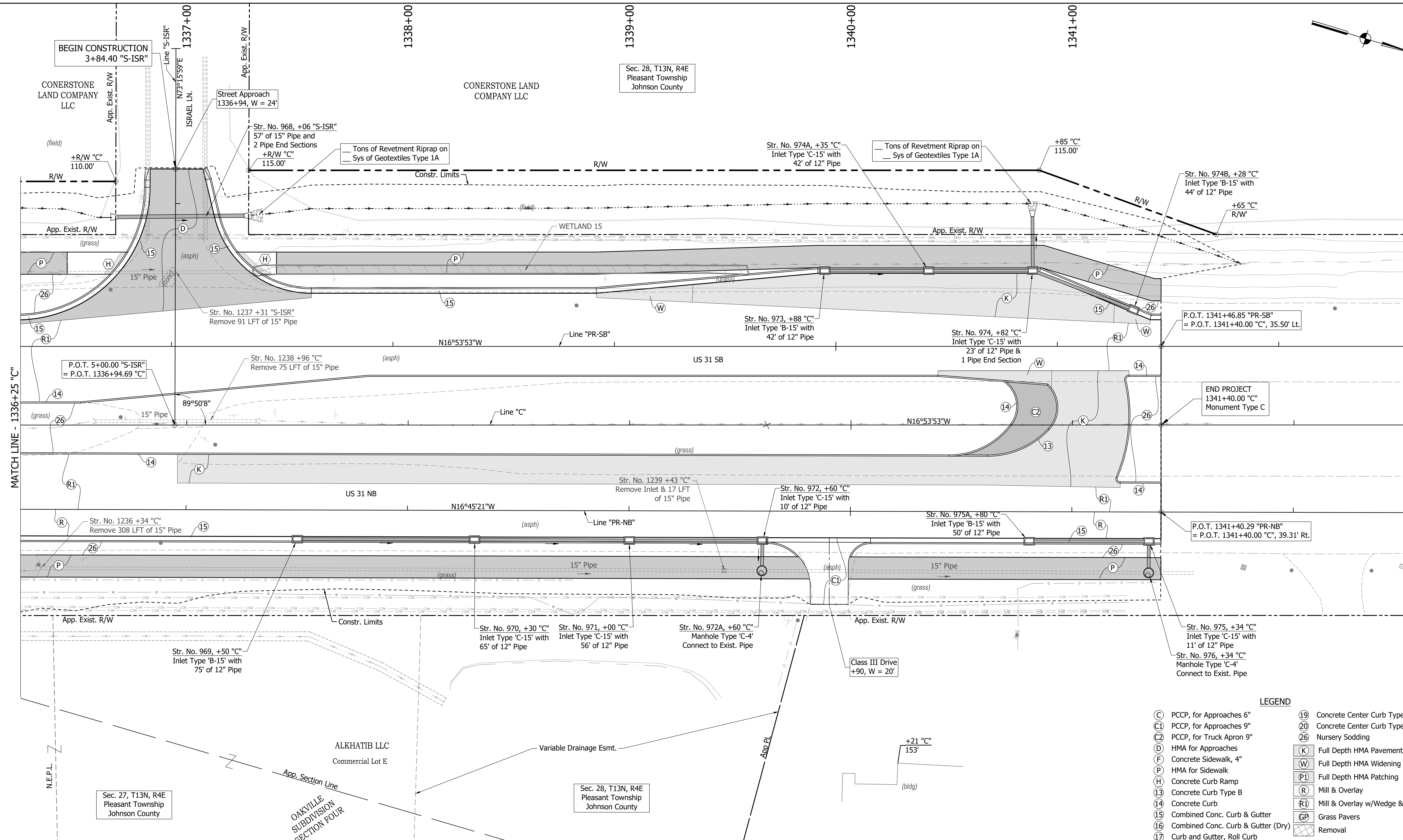
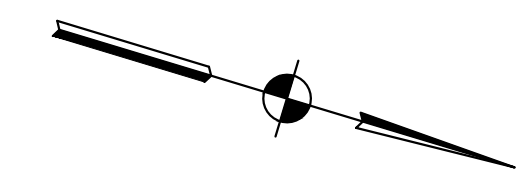
RECOMMENDED FOR APPROVAL	DESIGN ENGINEER	DATE
DESIGNED: MAM	DRAWN: RTB	
CHECKED: MAB	CHECKED: MAM	

INDIANA  
DEPARTMENT OF TRANSPORTATION

**CONSTRUCTION  
DETAILS**

HORIZONTAL SCALE	BRIDGE FILE
1"=20'	
VERTICAL SCALE	DESIGNATION
N/A	1800082
SURVEY BOOK	SHEETS
	141 of 440
CONTRACT	PROJECT
R-41481	1800082

DIRECTORY PATH : R:\Active\Franklin, CHYUS 3\Design\CAD\Plans  
 FILENAME : CD-NORTH.dwg  
 DATE/TIME : 3/17/2022 4:38 PM / Theamnet  
 USER : DANIEL



MATCH LINE - 1336+25 "C"

**LEGEND**

(C)	PCCP, for Approaches 6"	(19)	Concrete Center Curb Type D
(C1)	PCCP, for Approaches 9"	(20)	Concrete Center Curb Type B
(C2)	PCCP, for Truck Apron 9"	(26)	Nursery Sodding
(D)	HMA for Approaches	(K)	Full Depth HMA Pavement
(F)	Concrete Sidewalk, 4"	(W)	Full Depth HMA Widening
(P)	HMA for Sidewalk	(P1)	Full Depth HMA Patching
(H)	Concrete Curb Ramp	(R)	Mill & Overlay
(13)	Concrete Curb Type B	(R1)	Mill & Overlay w/Wedge & Level
(14)	Concrete Curb	(GP)	Grass Pavers
(15)	Combined Conc. Curb & Gutter	(X)	Removal
(16)	Combined Conc. Curb & Gutter (Dry)		
(17)	Curb and Gutter, Roll Curb		

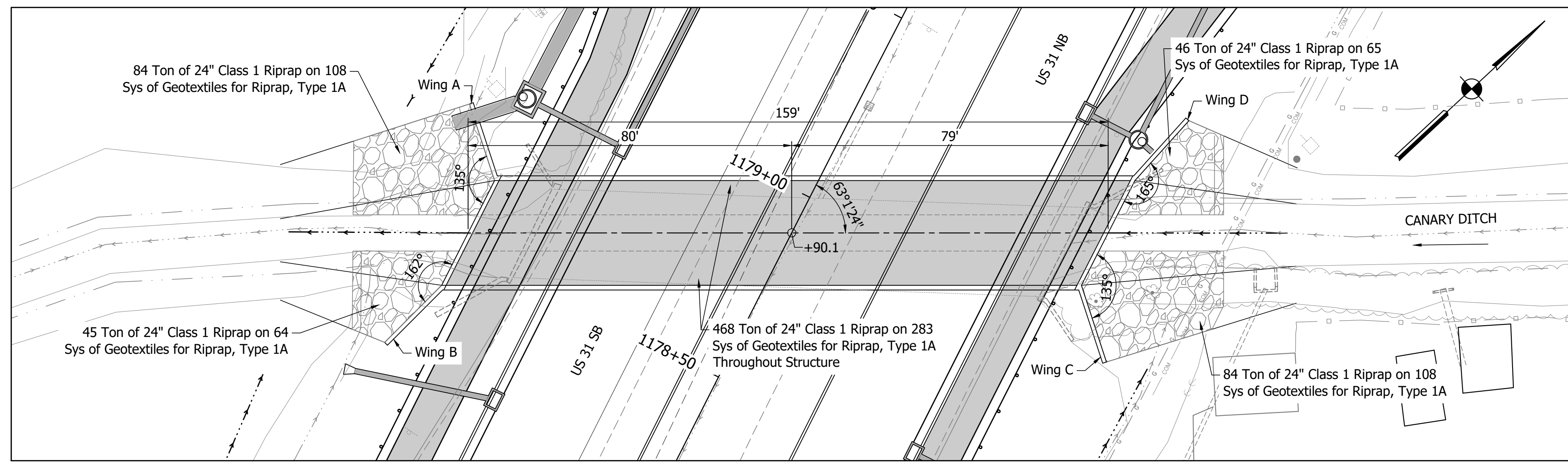
(See Typical Sheet for Additional Details)

DIRECTORY PATH : R:\Active\Franklin, ChyVUS 3\Design\CAD\Plans  
 FILENAME : CD-NORTH\1.dwg  
 DATE/TIME : 3/17/2022 4:38 PM / Theomet

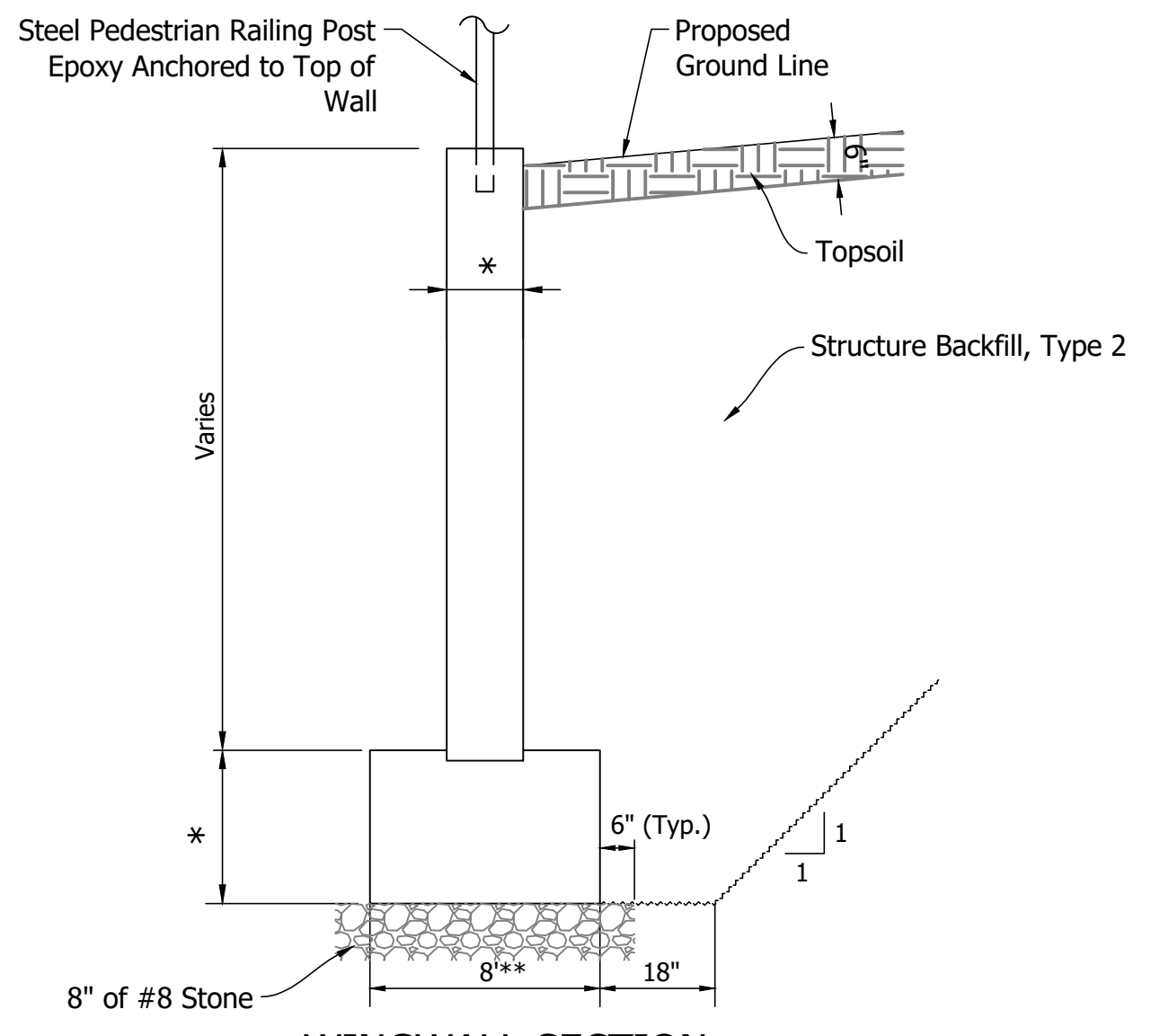
RECOMMENDED FOR APPROVAL	DESIGN ENGINEER	DATE
DESIGNED: MAM	DRAWN: RTB	
CHECKED: MAB	CHECKED: MAM	

**INDIANA**  
**DEPARTMENT OF TRANSPORTATION**  
  
**CONSTRUCTION**  
**DETAILS**

HORIZONTAL SCALE	BRIDGE FILE
1"=20'	
VERTICAL SCALE	DESIGNATION
N/A	1800082
SURVEY BOOK	SHEETS
	142 of 440
CONTRACT	PROJECT
R-41481	1800082



PLAN  
Scale: 1"=20'



WINGWALL SECTION  
No Scale

Typical for Flat Top or Arch Top Options

- \* Dimensions to be determined by Unit Manufacturer.
- \*\* Foundation Requirements on this sheet assume footing width of 8', placed 4' below flow line elevation.

**GENERAL NOTES**

Headwalls and wingwalls may be precast or cast in place.  
An alternate structure type with a 24-ft perpendicular span and a 16-ft rise may be substituted for the structure shown on this sheet.

**DESIGN DATA**

**Live Load**  
The Structure shall be designed for HL-93 loading in accordance with AASHTO LRFD Bridge Design Specifications, 9th Edition, and all subsequent interim specifications.

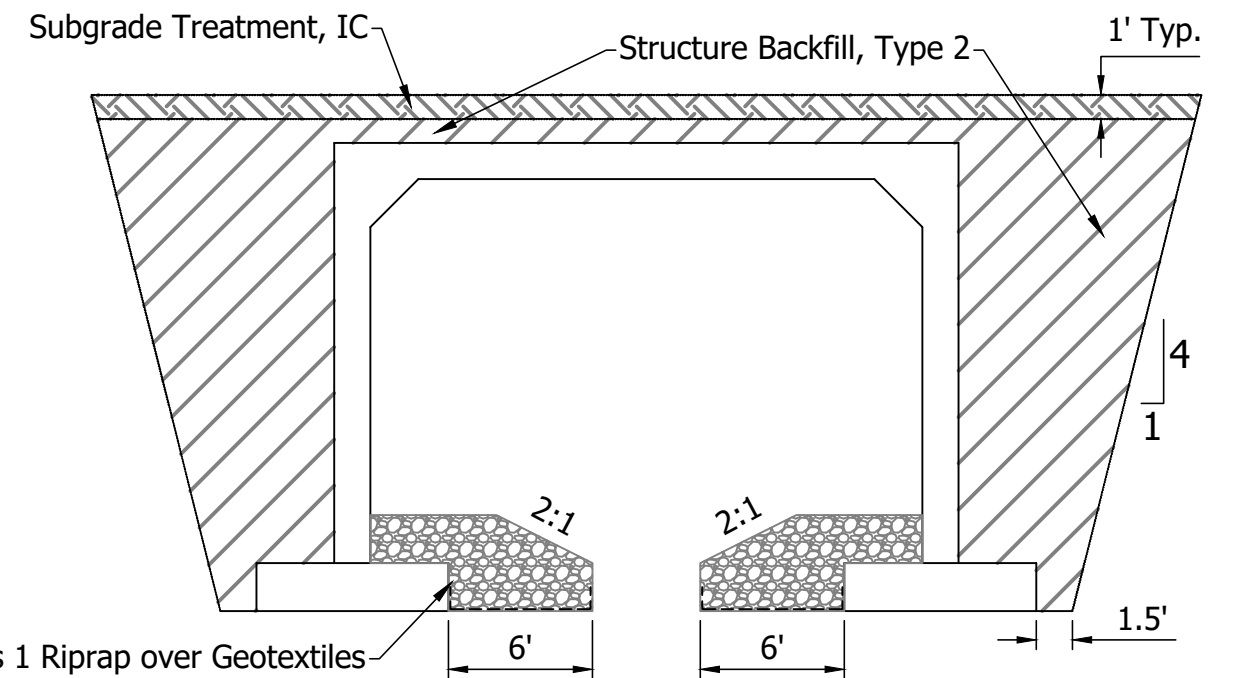
**Dead Load**  
Designed for self-weight, backfill, pavement section and 35 psf for future wearing surface.

**HYDRAULIC DATA**

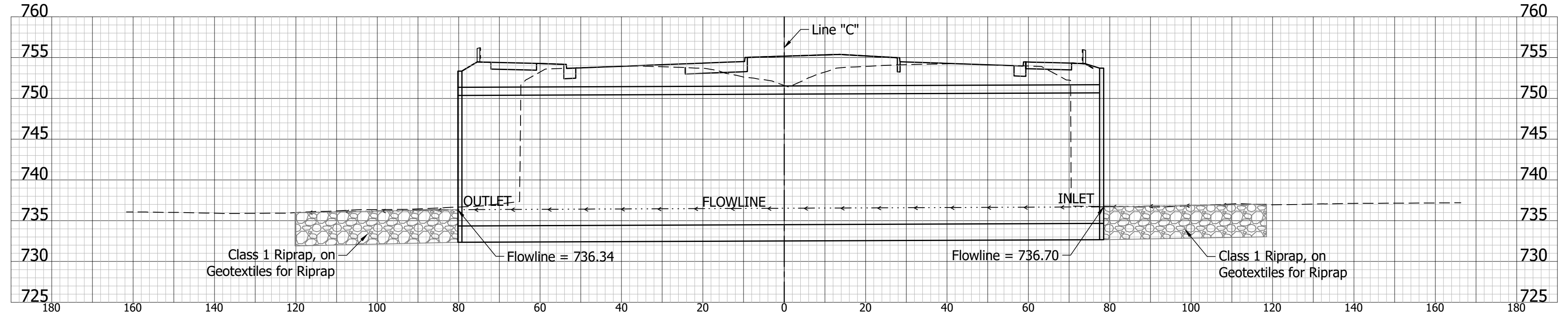
Drainage Area	5.39 sq. mi.
Q100	2400 cfs
Proposed Q100 Elevation (Headwater)	748.47
Proposed Backwater	-0.40 ft
Q100 Outlet Velocity	7.55 ft/s
Proposed Waterway Opening Below Q100	268.41 sft
Roadway Overflow Waterway Area	0 ft
Proposed Culvert Slope	0.16%
Proposed Flowline Slope	0.16%
Existing Waterway Opening Below Q100	238.49 sft
Existing Q100 Elevation (Headwater)	748.99
Existing Outlet Velocity at Q100	8.63 ft/s
Existing Culvert Slope	0.0%
Existing Flowline Slope	0.16%

**Recommended Parameters for Wingwall Footing Design**

Parameter	Estimated Value
Resistance Factor	.
Nominal Bearing Resistance (psf)	.
Factored Bearing Resistance (psf)	.
Ultimate Adhesion Between Footings and Foundation Soil (Ca) (psf)	.
Total Unit Weight of Backfill Material (pcf)	.
Cohesion of Backfill Material (psf)	.

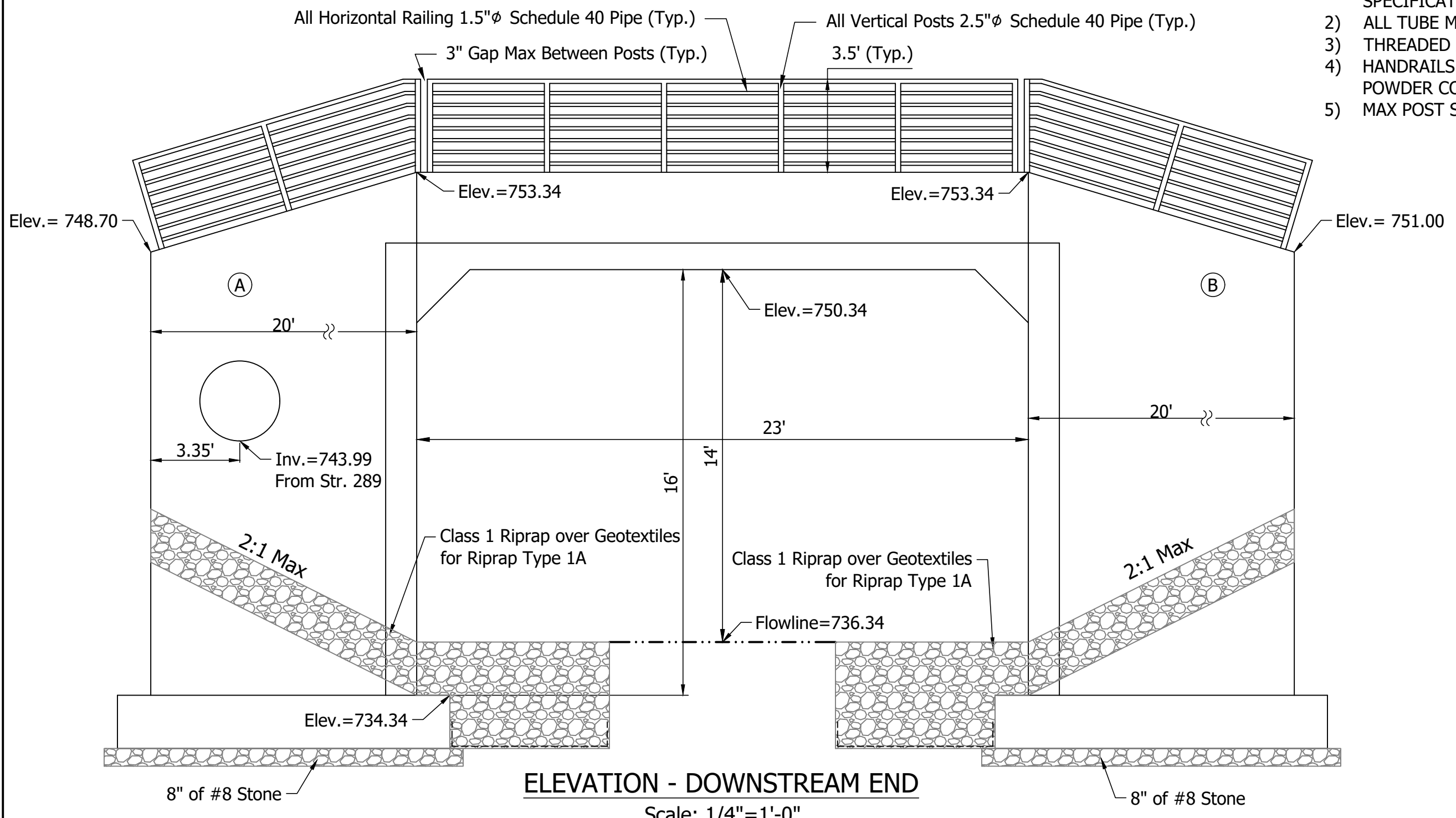


STRUCTURE CROSS SECTION  
Not to Scale



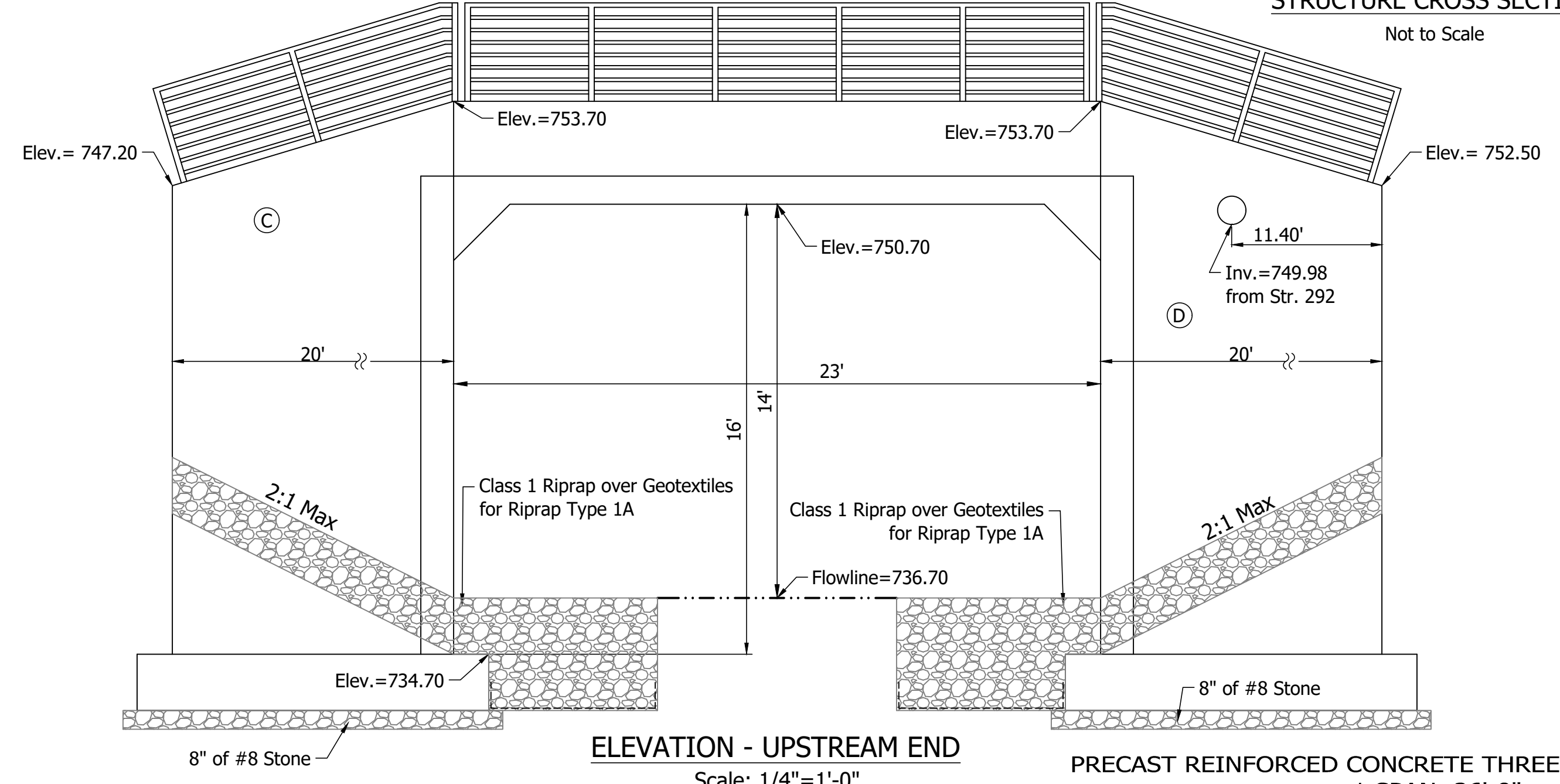
SECTION - ALONG SKEW  
Horizontal Scale: 1"=20'  
Vertical Scale: 1"=10'

- RAILING NOTES**
- HANDRAIL MATERIALS AND WORK SPECIFICATIONS SHALL BE IN ACCORDANCE WITH INDIANA DEPARTMENT OF TRANSPORTATION SPECIFICATIONS AND SUPPLEMENTAL SPECIFICATIONS, 2020.
  - ALL TUBE MATERIAL SHALL BE SCHEDULE 40, ASTM A500, GR. B.
  - THREADED ANCHOR RODS SHALL BE ASTM A572, GR. 50.
  - HANDRAILS SHALL BE UNGALVANIZED STEEL WITH PRIMER AND POWDER COATED BLACK.
  - MAX POST SPACING IS 6 FT.



ELEVATION - DOWNSTREAM END  
Scale: 1/4"=1'-0"

WINGWALL AREAS (SFT.)	
A	334
B	357
C	315
D	368



ELEVATION - UPSTREAM END  
Scale: 1/4"=1'-0"

PRECAST REINFORCED CONCRETE THREE-SIDED STRUCTURE  
1 SPAN: 26'-0"  
US31 OVER CANARY DITCH, JOHNSON COUNTY, INDIANA

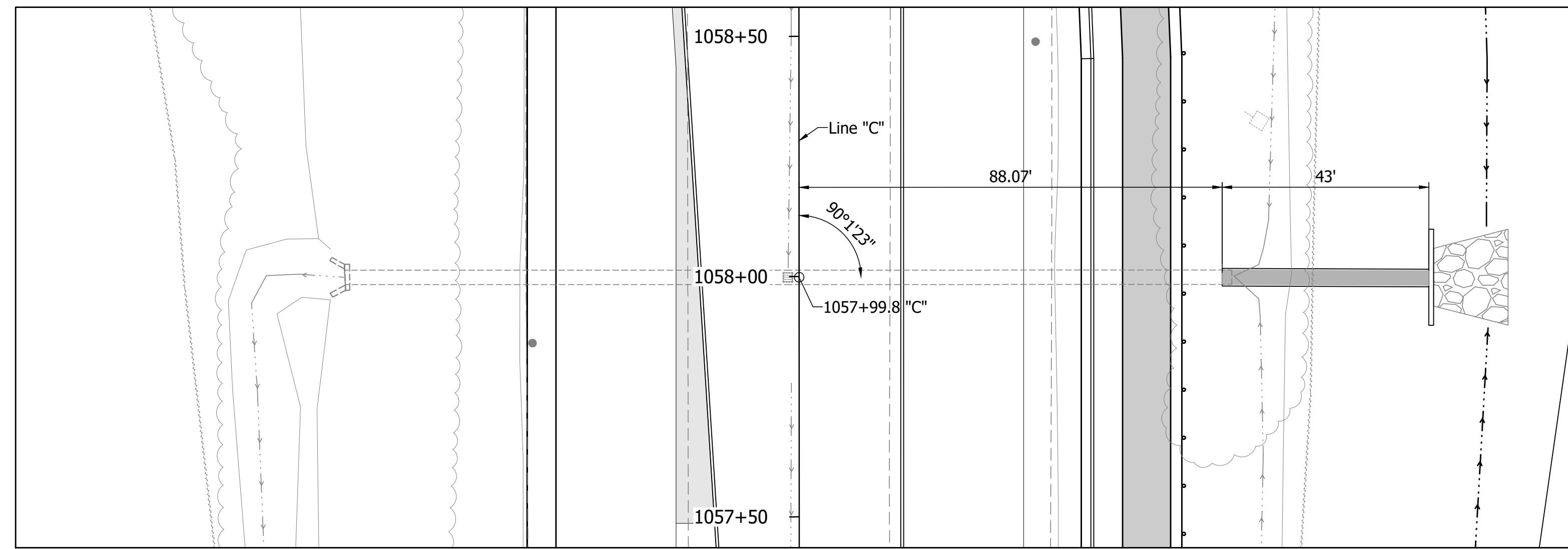
DIRECTORY PATH : R:\Active\Franklin, Chivus 3\Design\CAD\Plans  
 FILENAME : GENERAL PLAN.dwg  
 DATE/TIME : 9/8/2021 10:50:04 AM  
 USER : jshreck

RECOMMENDED FOR APPROVAL	DESIGN ENGINEER	DATE
DESIGNED: MAM	DRAWN: RTB	
CHECKED: MAB	CHECKED: MAM	

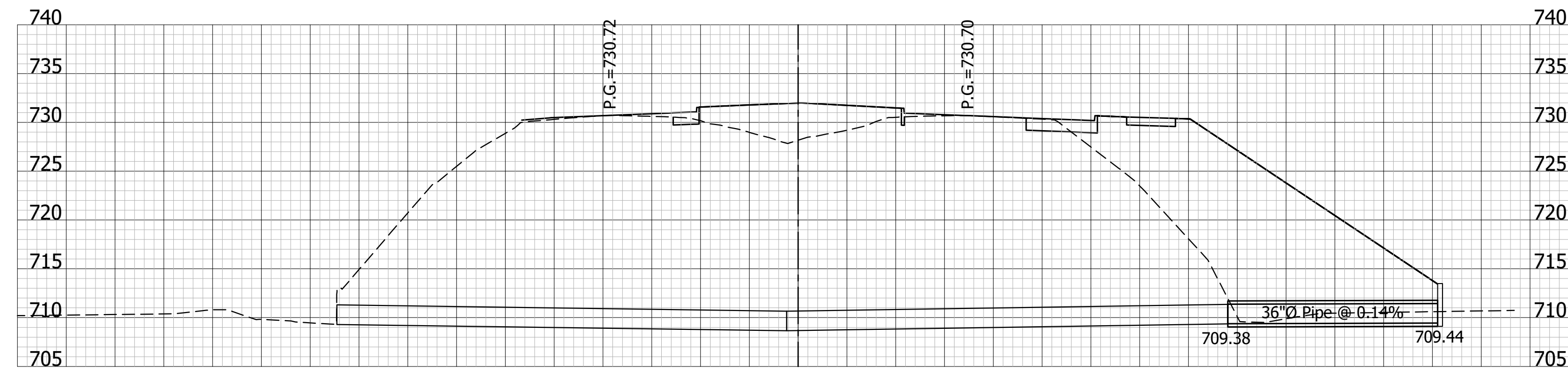
INDIANA  
DEPARTMENT OF TRANSPORTATION

GENERAL PLAN  
BRIDGE OVER CANARY DITCH

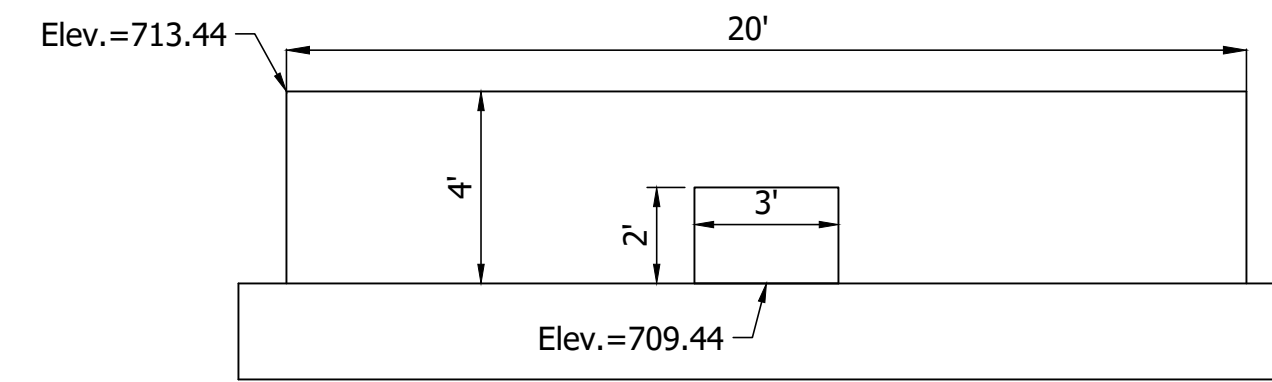
HORIZONTAL SCALE	BRIDGE FILE
As Noted	031-41-10392
VERTICAL SCALE	DESIGNATION
As Noted	1800272
SURVEY BOOK	SHEETS
	143 of 294
CONTRACT	PROJECT
R-41481	1800082



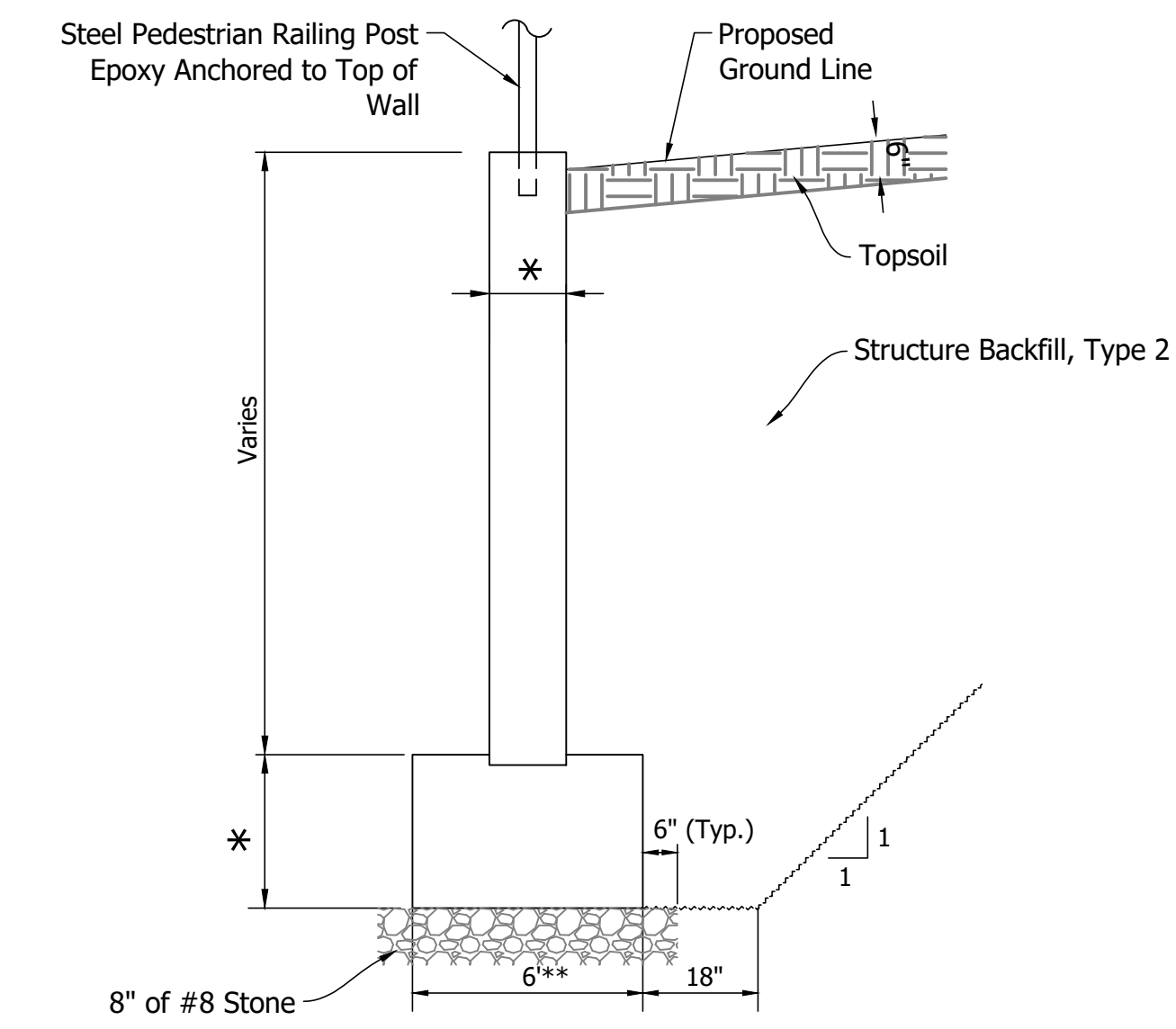
PLAN  
Scale: 1"=20'



SECTION - ALONG SKEW  
Horizontal Scale: 1"=20'  
Vertical Scale: 1"=10'



ELEVATION - UPSTREAM END  
Scale: 1/4"=1'-0"



WINGWALL SECTION  
No Scale

- \* Dimensions to be determined by Unit Manufacturer.
- \*\* Foundation Requirements on this sheet assume footing width of 6', placed 4' below flow line elevation.

**GENERAL NOTES**

Headwalls and wingwalls may be precast or cast in place.

**DESIGN DATA**

**Live Load**

The Structure shall be designed for HL-93 loading in accordance with AASHTO LRFD Bridge Design Specifications, 8th Edition, and all subsequent interim specifications.

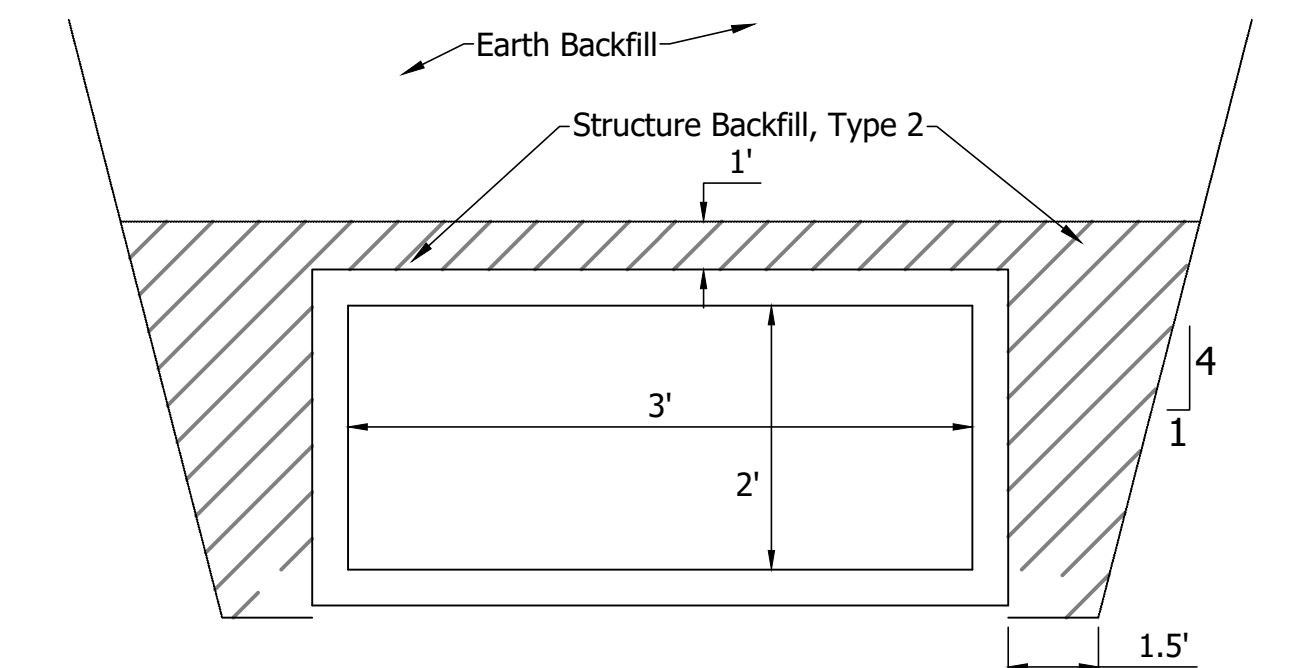
**Dead Load**

Designed for self-weight, backfill, pavement section and 35 psf for future wearing surface.

**HYDRAULIC DATA**

Drainage Area	12.1 acres
Q100	26 cfs
Proposed Q100 Elevation (Headwater)	711.81
Proposed Backwater	1.05 ft
Q50 Outlet Velocity	6.37 fps
Proposed Waterway Opening	6.0 sft
Roadway Overflow Waterway Area	0 sft
Existing Waterway Opening	6.0 sft
Existing Q100 Elevation (Headwater)	711.81
Existing Outlet Velocity at Q50	6.37 cfs

Recommended Parameters for Wingwall Footing Design	Estimated Value
Resistance Factor	.
Nominal Bearing Resistance (psf)	.
Factored Bearing Resistance (psf)	.
Ultimate Adhesion Between Footings and Foundation Soil (Ca) (psf)	.
Total Unit Weight of Backfill Material (pcf)	.
Cohesion of Backfill Material (psf)	.



STRUCTURE CROSS SECTION  
Not to Scale

PRECAST REINFORCED CONCRETE BOX CULVERT EXTENSION  
1 SPAN: 3'  
US31 OVER UNKNOWN TRIBUTARY OF HAZELETT DITCH,  
JOHNSON COUNTY, INDIANA

DIRECTORY PATH : R:\Active\Fredlin, ChyVUS 3\Design\CAD\Plans  
 FILENAME : CULVERT DETAILS.dwg  
 DATE/TIME : 2/28/2021 10:50:20 AM  
 USER : Parnasterson

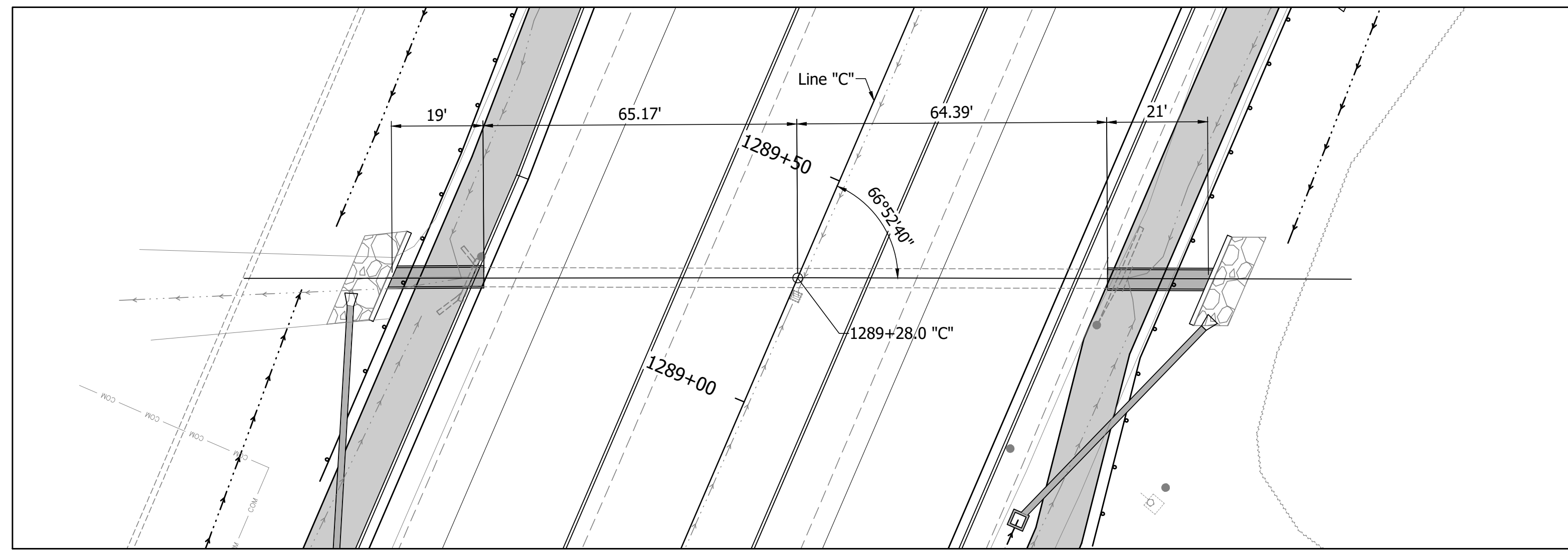
RECOMMENDED FOR APPROVAL	DESIGN ENGINEER	DATE
DESIGNED: MAM	DRAWN: RTB	
CHECKED: MAB	CHECKED: MAM	

INDIANA  
DEPARTMENT OF TRANSPORTATION

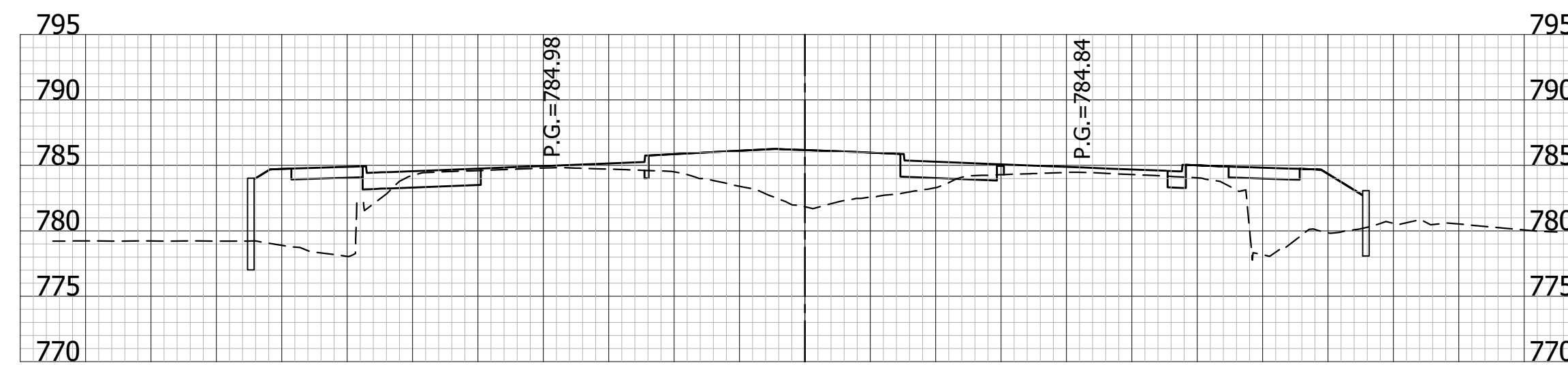
**CULVERT DETAILS**

HORIZONTAL SCALE	BRIDGE FILE
As Noted	CLV-003-041-90.3
VERTICAL SCALE	DESIGNATION
As Noted	1800082
SURVEY BOOK	SHEETS
	144 of 294
CONTRACT	PROJECT
R-41481	1800082

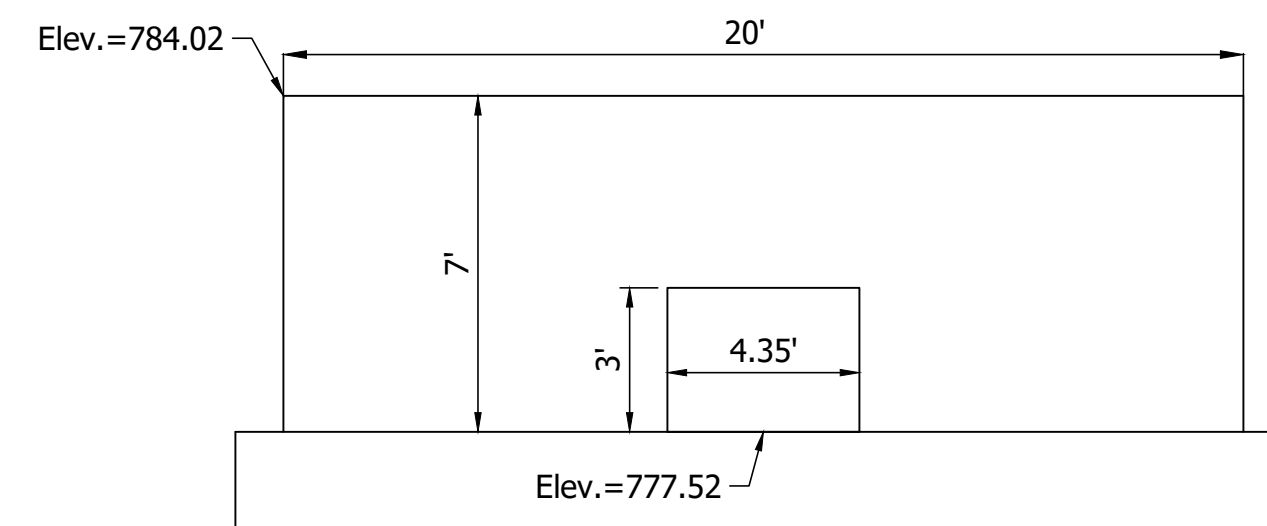




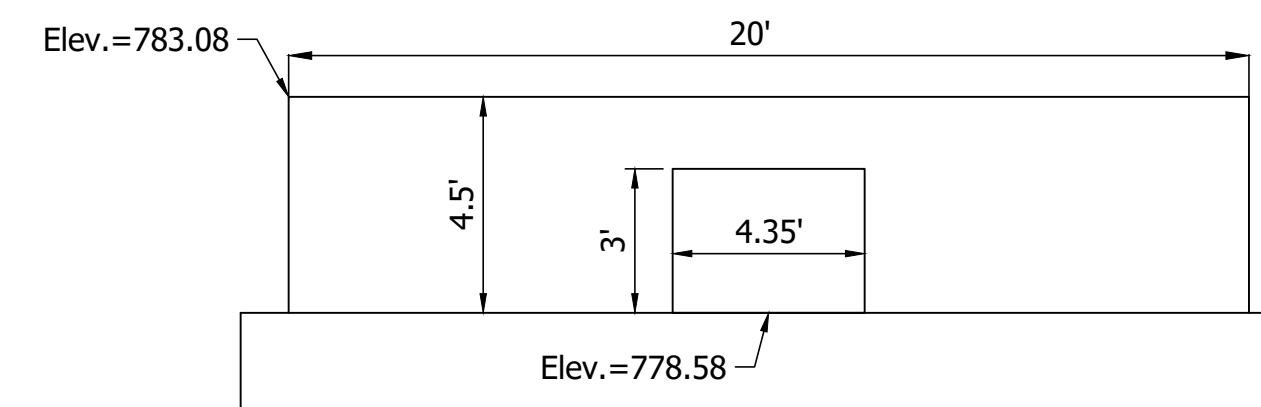
PLAN  
Scale: 1"=20'



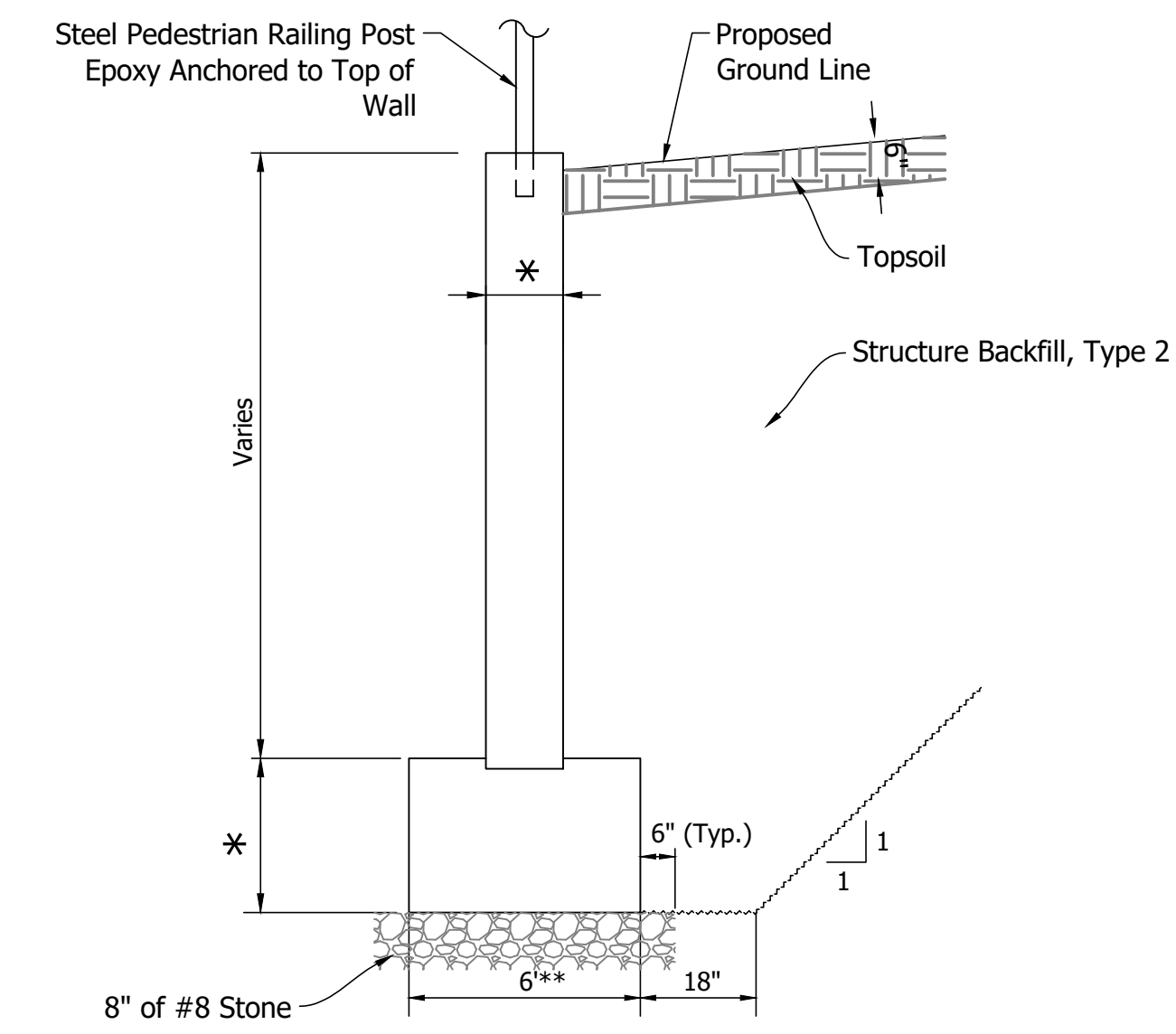
SECTION - ALONG SKEW  
Horizontal Scale: 1"=20'  
Vertical Scale: 1"=10'



ELEVATION - DOWNSTREAM END  
Scale: 1/4"=1'-0"

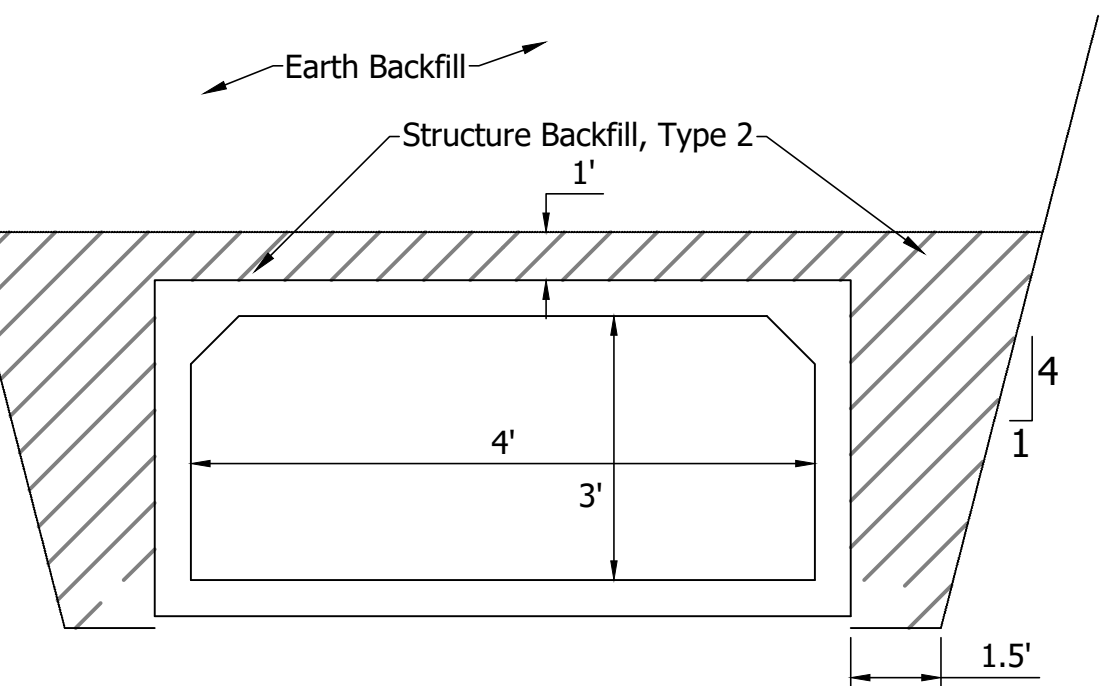


ELEVATION - UPSTREAM END  
Scale: 1/4"=1'-0"



WINGWALL SECTION  
No Scale

- \* Dimensions to be determined by Unit Manufacturer.
- \*\* Foundation Requirements on this sheet assume footing width of 6', placed 4' below flow line elevation.



STRUCTURE CROSS SECTION  
Not to Scale

**GENERAL NOTES**

Headwalls and wingwalls may be precast or cast in place.

**DESIGN DATA**

**Live Load**

The Structure shall be designed for HL-93 loading in accordance with AASHTO LRFD Bridge Design Specifications, 8th Edition, and all subsequent interim specifications.

**Dead Load**

Designed for self-weight, backfill, pavement section and 35 psf for future wearing surface.

**HYDRAULIC DATA**

Drainage Area	74 acres
Q100	59 cfs
Proposed Q100 Elevation (Headwater)	781.44
Proposed Backwater	1.43 ft
Q50 Outlet Velocity	10.21 fps
Proposed Waterway Opening	11.32 sft
Roadway Overflow Waterway Area	0 ft
Minimum Low Structure	780.52
Existing Waterway Opening	12 sft
Existing Q100 Elevation (Headwater)	781.67
Existing Outlet Velocity at Q50	8.73 fps

Recommended Parameters for Wingwall Footing Design	Estimated Value
Resistance Factor	.
Nominal Bearing Resistance (psf)	.
Factored Bearing Resistance (psf)	.
Ultimate Adhesion Between Footings and Foundation Soil (Ca) (psf)	.
Total Unit Weight of Backfill Material (pcf)	.
Cohesion of Backfill Material (psf)	.

PRECAST REINFORCED CONCRETE BOX CULVERT EXTENSION  
1 SPAN: 4'  
US31 OVER UNKNOWN TRIBUTARY OF POWELL DITCH,  
JOHNSON COUNTY, INDIANA

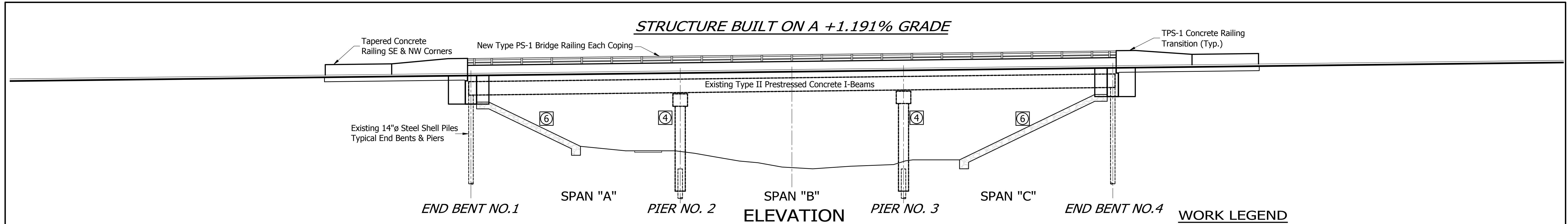
DIRECTORY PATH : R:\Active\Franklin\_Civil\310Design\CAD\Plans  
 FILENAME : CULVERT DETAILS.dwg  
 DATE/TIME : 2/28/2021 10:50:24 AM  
 USER : j.petersen

RECOMMENDED FOR APPROVAL	DESIGN ENGINEER	DATE
DESIGNED: MAM	DRAWN: RTB	
CHECKED: MAB	CHECKED: MAM	

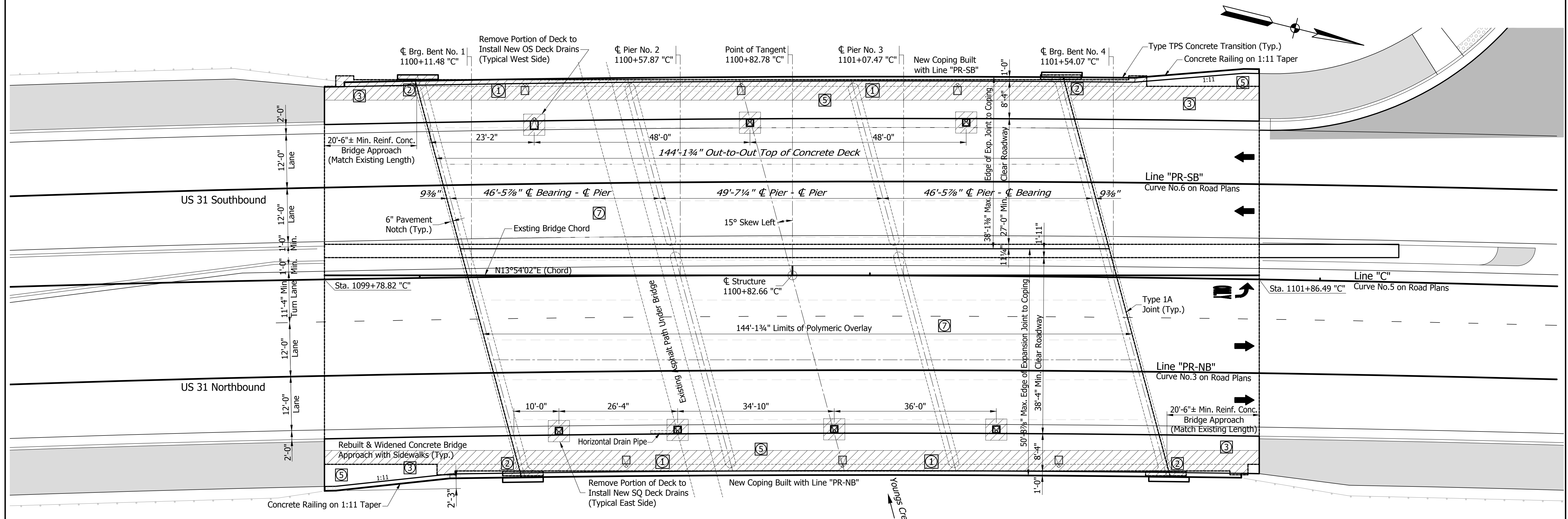
INDIANA  
DEPARTMENT OF TRANSPORTATION

CULVERT DETAILS

HORIZONTAL SCALE	BRIDGE FILE
As Noted	CV 031-041-094.74
VERTICAL SCALE	DESIGNATION
As Noted	1800082
SURVEY BOOK	SHEETS
	145 of 294
CONTRACT	PROJECT
R-41481	1800082



- WORK LEGEND**
- ① Remove Outside Portions of Existing Superstructure including Concrete Deck, Concrete Railing, and Deck Drains. Replace with New Concrete Deck with Sidewalk, PS-1 Railing, and New Deck Drains.
  - ② Remove Portions of End Bents and Replace as Detailed in Plans with new Wingwalls..
  - ③ Remove Portions of Concrete Bridge Approaches & Railing Transitions and widen with New Concrete Bridge Approaches, Sidewalks, & TPS-1 Railing Transitions and Concrete Railing on Taper.
  - ④ Patch Spalled areas of Piers.
  - ⑤ Seal New Concrete Sidewalks and Railing.
  - ⑥ Place Riprap over Geotextiles in bare areas on Slope.
  - ⑦ Patch Spalls in deck near Type 1A Joints, Clean Deck, and Place Polymeric Bridge Deck Overlay.



**PLAN**

**CONTINUOUS PRESTRESSED CONCRETE I-BEAM BRIDGE**  
 3 SPANS: 46'-5 7/8", 49'-7 1/4", 46'-5 7/8"  
 15° SKEW LEFT AT CL, 27'-0" SB, 38'-4" NB CLEAR ROADWAY  
 US 31 OVER YOUNGS CREEK, JOHNSON COUNTY

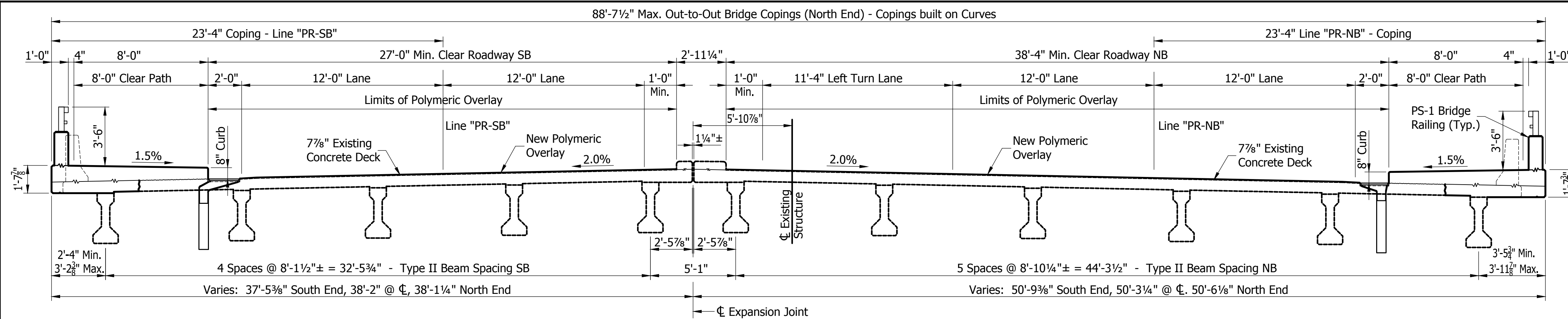
DATE	REVISION

RECOMMENDED FOR APPROVAL	DESIGN ENGINEER	DATE
	RDG	11/02/2021
DESIGNED: RDG	DRAWN: RDG	
CHECKED: MAM	CHECKED: MAM	

INDIANA  
 DEPARTMENT OF TRANSPORTATION  
**GENERAL PLAN - PLAN & ELEVATION**  
 US 31 OVER YOUNGS CREEK

SCALE	BRIDGE FILE
3/32" = 1'-0"	31-41-7875A
	DESIGNATION
	2001610
SURVEY BOOK	SHEETS
---	13 of 99
CONTRACT	PROJECT
R-41481	1800082

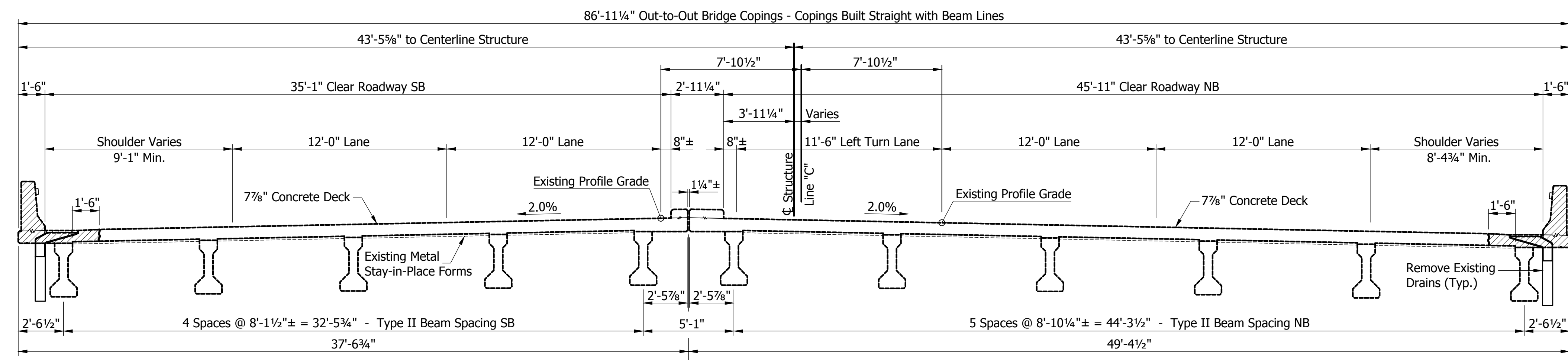
DIRECTORY PATH : R:\Active\Franklin, City US 31\Design\BridgeOverYoungs\CAD\Plans  
 DATE/USER : 11/2/2021 2:16 PM / Rgrander



**PROPOSED BRIDGE SECTION**  
Scale: 1/4"=1'-0"

**DESIGN DATA**

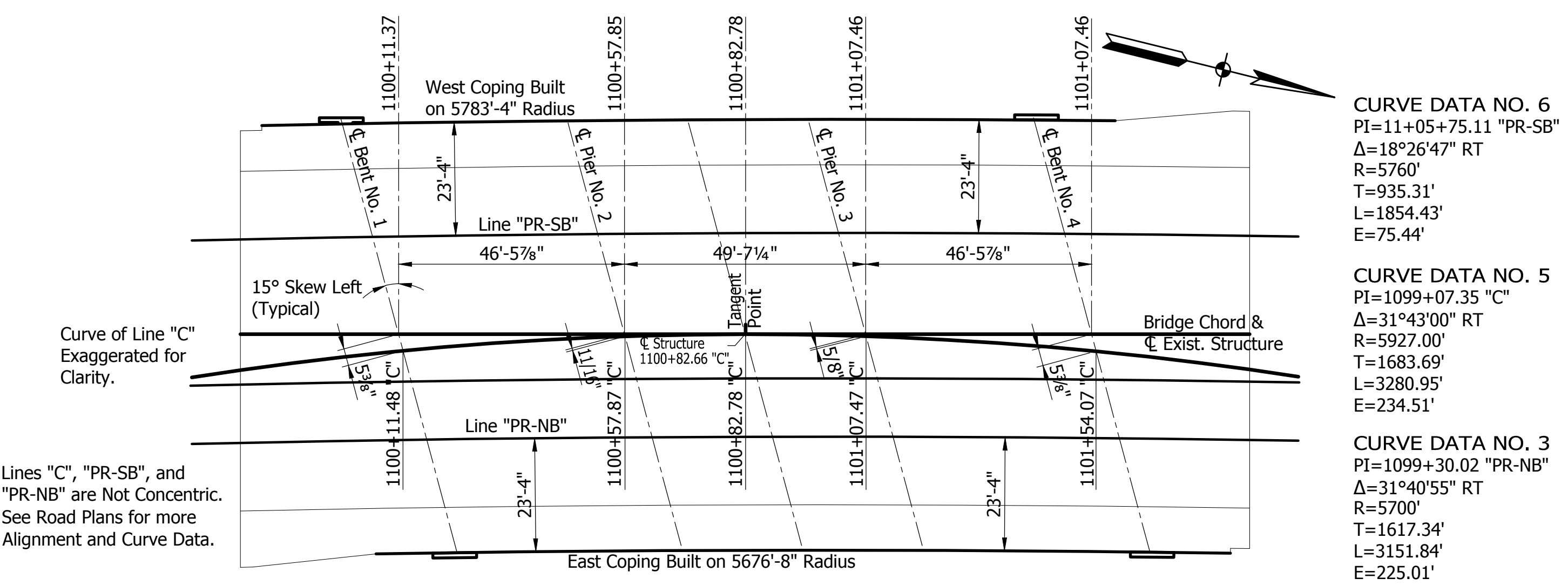
**EXISTING STRUCTURE DESIGN DATA:**  
**LIVE LOAD:** HS20-44 Loading in accordance with 1992 AASHTO Specifications.  
**DEAD LOAD:** Actual weight of concrete beams, slab, and concrete railing.  
 Steel Encased Concrete Piles at End Bents and single row at Piers.  
**PRESTRESSED CONCRETE BEAMS:**  
 $f_c = 6,000$  psi @ 28 Days  
 $f_{cr} = 5,000$  psi @ Release  
 Strands: 1/2"  $\phi$  7 Wire Special Loxal Strands, Min. Tensile Strength = 270,000 psi,  $A_s = 0.167$  in<sup>2</sup> per Strand.  
**FLOOR SLAB:**  
 Designed with a structural depth of 6 1/2".  
**PROPOSED SUPERSTRUCTURE DESIGN DATA:**  
**LIVE LOAD:** HS-20 loading in accordance with 9th Edition AASHTO Load and Resistance Factor (LRFD) Bridge Design Specifications, 2020.  
**DEAD LOAD:** Actual weight plus 15 lbs./sq.ft. non-composite for stay-in-place forms. No allowance for future wearing surface.  
**DESIGN STRENGTHS:**  
 Class "C" Concrete:  $f_c = 4,000$  psi  
 Class "A" Concrete:  $f_c = 3,500$  psi  
 Reinforcing Steel:  $f_y = 60,000$  psi



**EXISTING BRIDGE SECTION**  
Scale: 1/4"=1'-0"

**GENERAL NOTES**

Reinforcing Bars cover shall be 2 1/2" in top and 1" minimum in bottom of deck slab and 2" in all other parts unless noted.  
 All Reinforcing Bars in the Deck Slab, Railing, Railing Transitions, End Bents, & Bridge Approaches shall be epoxy coated.  
 Concrete in Superstructure, Concrete Railing, Bridge Approaches, and End Bents shall be Class "C".  
 Concrete in Pier Cap and Pier Stem shall be Class "A".  
 Continuous concrete pours shall be required between construction joints as shown on the detail plans.  
 Surface Seal shall be applied to the top of sidewalk, exterior face and bottom flange of exterior beams, concrete railing and transitions, all exposed faces and tops of wingwalls, deck copings, and underside of deck from coping to top of exterior beams.  
 Estimated quantity of Surface Seal = xx,xxx Sq. Ft.  
 Plans for the Existing Structure are on file in the Bridge Department, Indiana Department of Transportation, as Bridge No. 31-41-7875.



**GEOMETRIC LAYOUT**  
Scale: 3/64"=1'-0"

**CONTINUOUS PRESTRESSED CONCRETE I-BEAM BRIDGE**  
**3 SPANS: 46'-5 7/8", 49'-7 1/4", 46'-5 7/8"**  
**15° SKEW LEFT AT  $\phi$ , 27'-0" SB, 38'-4" NB CLEAR ROADWAY**  
**US 31 OVER YOUNGS CREEK, JOHNSON COUNTY**

DIRECTORY PATH : R:\Active\Franklin, City\US 31\Design\BridgeOverYoungs\CAD\Plans  
 DATE/USER : 11/2/2021 2:16 PM / Rgardner

DATE	REVISION

RECOMMENDED FOR APPROVAL	DESIGN ENGINEER	DATE
	RDG	11/02/2021
DESIGNED: RDG	DRAWN: RDG	
CHECKED: MAM	CHECKED: MAM	

INDIANA  
 DEPARTMENT OF TRANSPORTATION  
**GENERAL PLAN - SECTION & NOTES**  
**US 31 OVER YOUNGS CREEK**

SCALE	BRIDGE FILE
As Noted	31-41-7875A
	DESIGNATION
	2001610
SURVEY BOOK	SHEETS
---	14 of 99
CONTRACT	PROJECT
R-41481	1800082