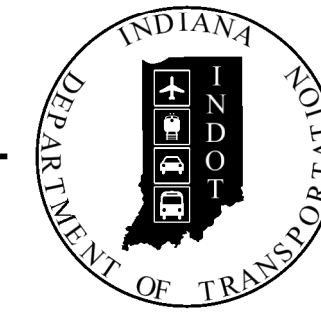


PROJECT	DESIGNATION
1800914	1800914
CONTRACT	BRIDGE FILE
B-41060	62-74-06164 C

STRUCTURE INFORMATION				
STRUCTURE	TYPE	SPAN AND SKEW	OVER	STATION
62-74-06164 C	Adjacent Prestressed Concrete Box Beam Bridge	1 Span 56'-0" Skew: 0°	Buckhorn Creek	RP 60+88

INDIANA DEPARTMENT OF TRANSPORTATION



BRIDGE REHABILITATION PLANS

FOR SPANS OVER 20 FEET

ROUTE: SR 62 AT: RP 60+88

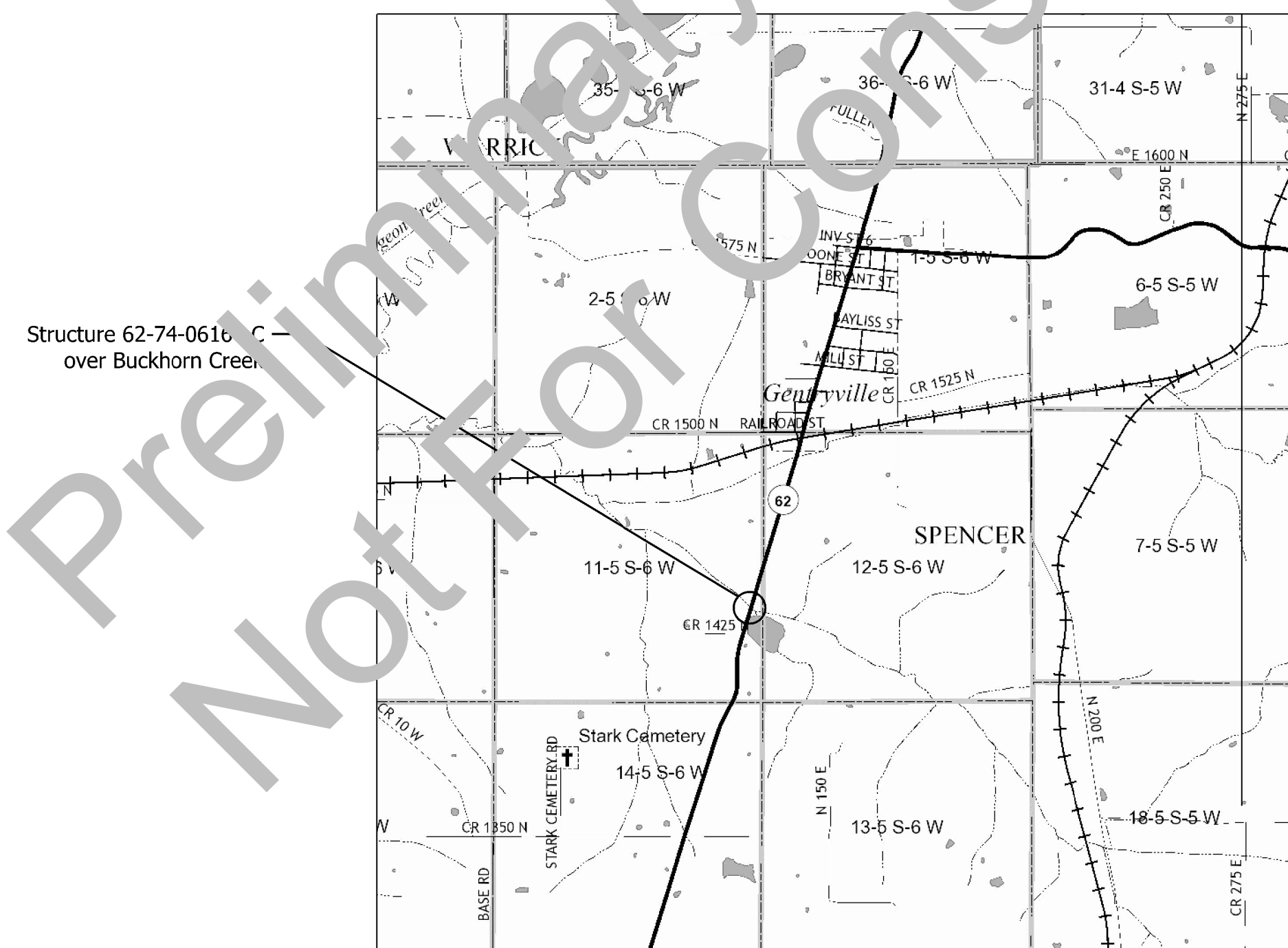
PROJECT NO. 1800914 P.E.

R/W

1800914 CONST.

NO ADDITIONAL RIGHT-OF-WAY REQUIRED FOR THIS PROJECT

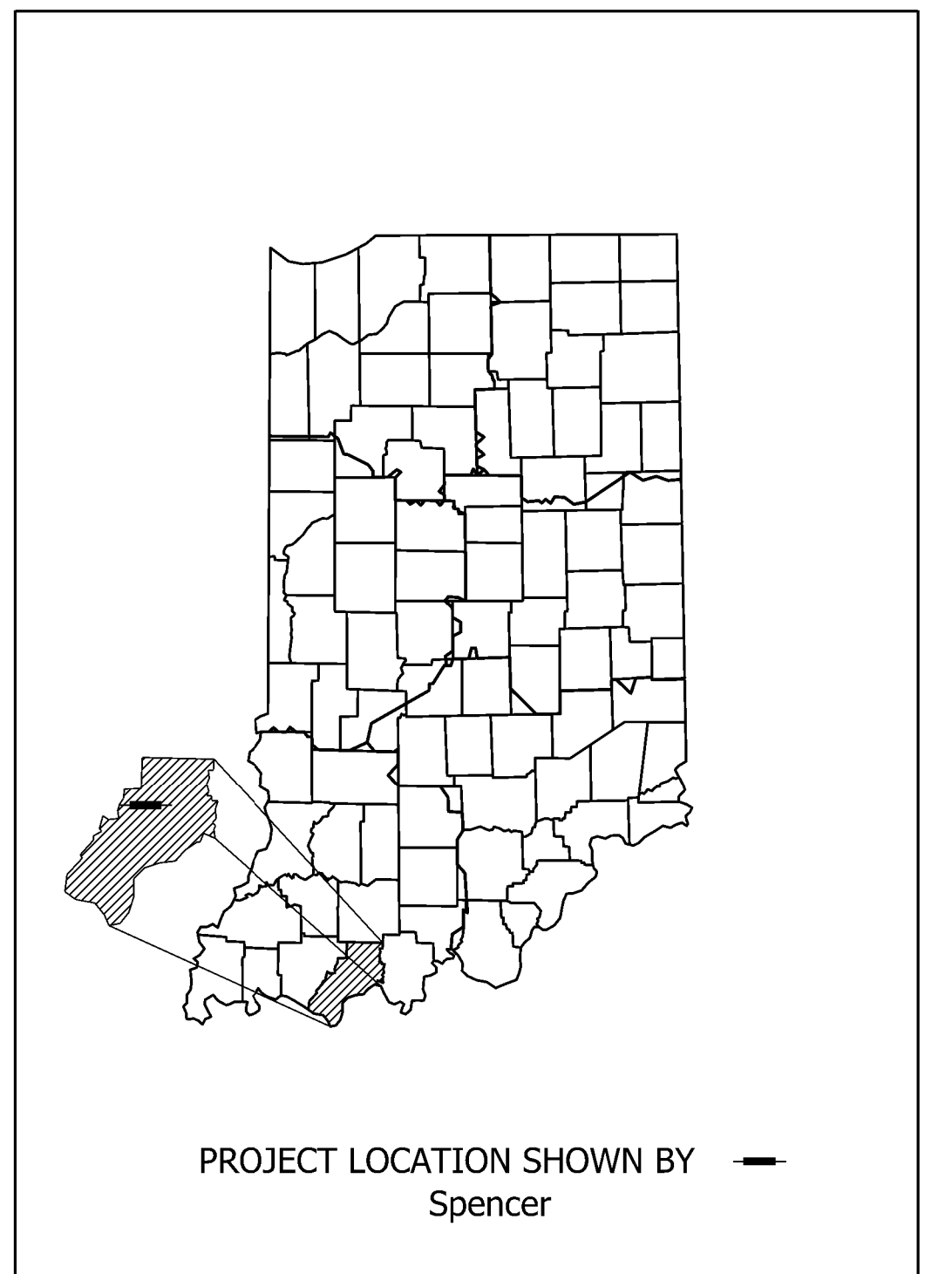
Bridge Deck Overlay on SR 62 over Buckhorn Creek
 Located 1.4 Miles South of SR 12
 Section 11, T-5-S, R-6-W, Jackson Township, Spencer County, Indiana



Jackson Township
Spencer County

TRAFFIC DATA		
A.A.D.T. (2020)		1661 V.P.D.
A.A.D.T. (2040)		1661 V.P.D.
D.H.V (2040)		160 V.P.H.
DIRECTIONAL DISTRIBUTION		49.37 %
TRUCKS		14.75 % A.A.D.T. 16.25 % D.H.V.

DESIGN DATA	
DESIGN SPEED	50 M.P.H.
PROJECT DESIGN CRITERIA	3R (NON-FREEWAY)
FUNCTIONAL CLASSIFICATION	STATE COLLECTOR
RURAL/URBAN	RURAL
TERRAIN	LEVEL
ACCESS CONTROL	NONE



LATITUDE: N38°05'55" LONGITUDE: 87°02'07"

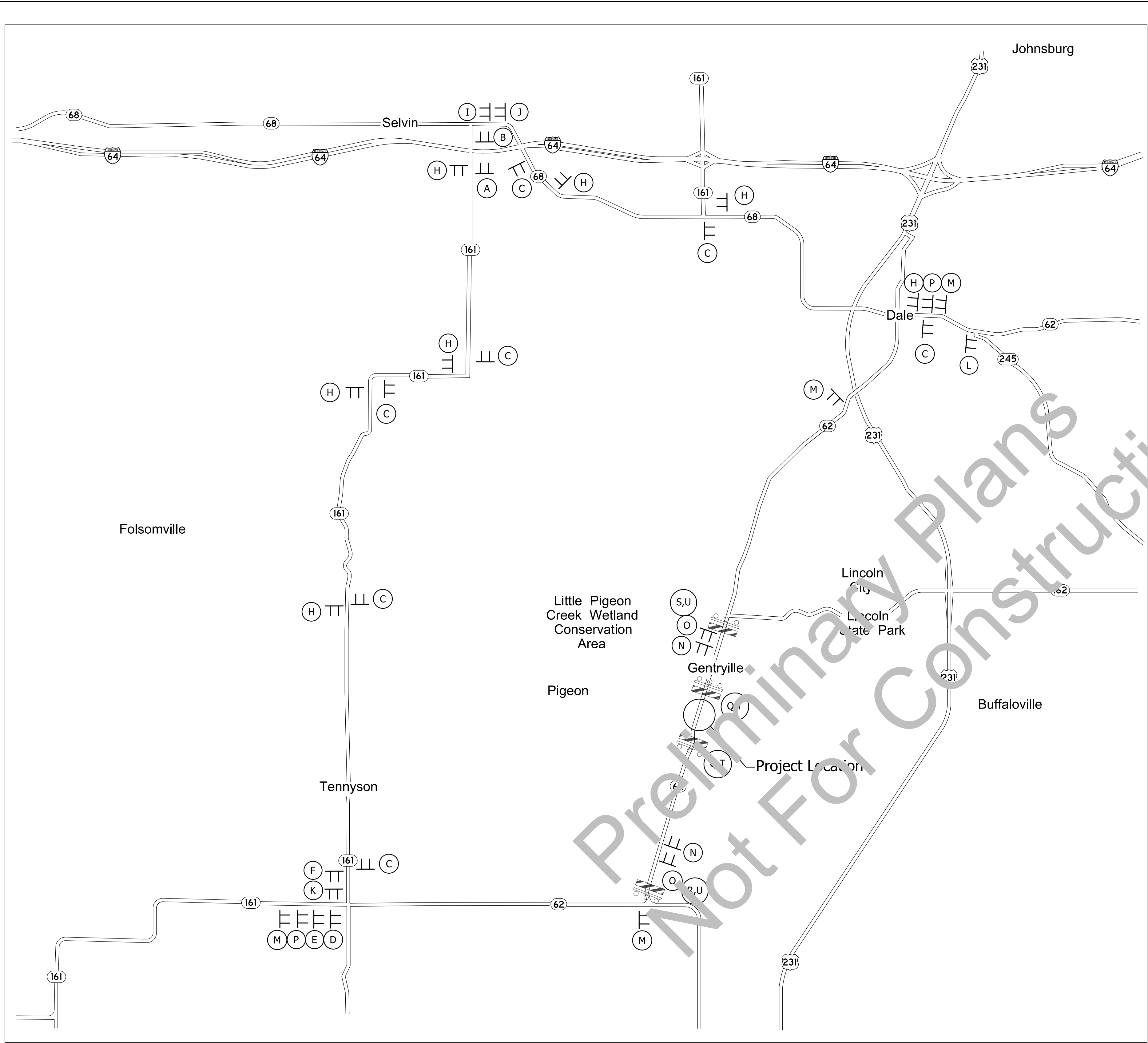
BRIDGE LENGTH:	0.01	MI.
ROADWAY LENGTH:	0.03	MI.
TOTAL LENGTH:	0.04	MI.
MAX. GRADE:	0%	%

INDIANA DEPARTMENT OF TRANSPORTATION
 STANDARD SPECIFICATIONS DATED 2020
 TO BE USED WITH THESE PLANS.

PLANS PREPARED BY:	PHONE NUMBER
CERTIFIED BY:	DATE
APPROVED FOR LETTING:	DATE

BRIDGE FILE	62-74-06164 C
DESIGNATION	1800914
SURVEY BOOK	SHEETS
CONTRACT	PROJECT
B-41060	1800914

Plot: 9/13/2021 3:10 PM



Legend of Signs:

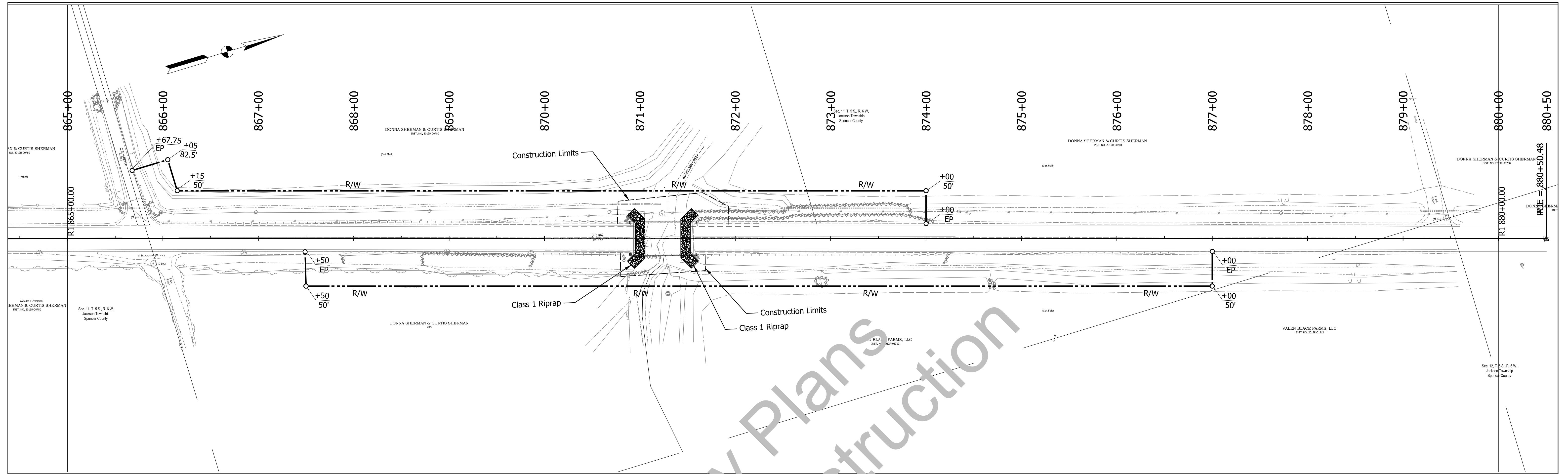
- Detour Signs (A-E):** Detour signs with directional arrows (North, South, Left, Right) and route markers (SR 62, M5-1, M6-1, M6-3S).
- Detour Signs (F-J):** Similar to A-E, but with different route markers.
- End of Detour Signs (K-L):** Signs indicating the end of a detour route.
- Road Closure Signs (M-O):** Diamond-shaped signs for 'ROAD CLOSED AHEAD', 'ROAD CLOSED 500 FT', and 'ROAD CLOSED 1000 FT'.
- Detour Ahead Sign (P):** Diamond-shaped sign for 'DETOUR AHEAD'.
- Road Closure Signs (Q-S):** Rectangular signs for 'ROAD CLOSED' and 'ROAD CLOSED MILES AHEAD LOCAL TRAFFIC ONLY'.
- Barricades (T-U):** Type IIIa (striped on one side) and Type IIIb (striped on both side) barricades.

ITEM	QUANTITY
Construction Sign Type A	10 Each
Road Closure Sign Assembly	4 Each
Detour Route Marker Assembly	23 Each
Barricade Type III a	48 Ft.
Barricade Type III b	48 Ft.

NOTE:
 For additional details, See Standard E 801-TCDT-01
 Signs may be added at the discretion of the Engineer.
 * Distance (Miles) will be decided by the Field Engineer.

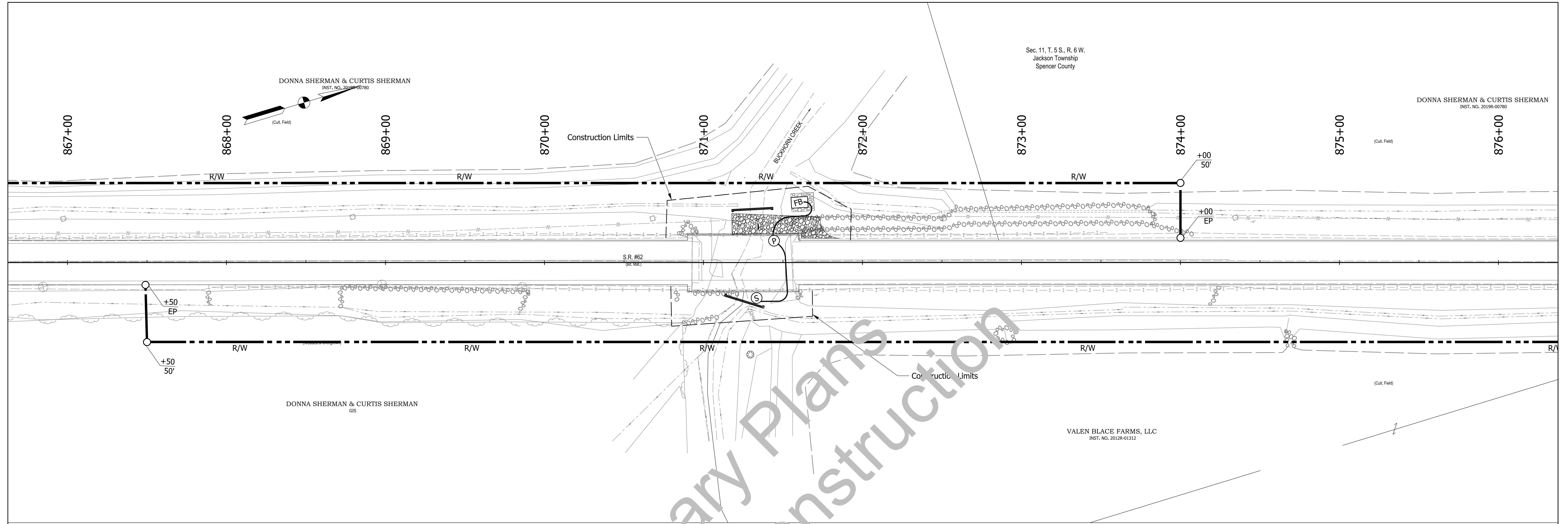
DATE	REVISION	DESIGNED: ARS	DRAWN: MGA	CHECKED: RBM	CHECKED: ARS	RECOMMENDED FOR APPROVAL	DESIGN ENGINEER	DATE	INDIANA DEPARTMENT OF TRANSPORTATION	SCALE	BRIDGE FILE
										N/A	62-74-06164 C
											DESIGNATION
											1800914
											SHEETS
											3 of 9
											PROJECT
											1800914

Plot: 9/13/2021 3:11 PM



RECOMMENDED FOR APPROVAL _____ DESIGN ENGINEER _____ DATE _____	INDIANA DEPARTMENT OF TRANSPORTATION	SCALE 1" = 50' BRIDGE FILE DESIGNATION 1800914 SHEETS 4 of 9 PROJECT CONTRACT B-41060
DESIGNED: _____ DRAWN: _____ CHECKED: _____ CHECKED: _____	PLAN AND PROFILE	

Plot: 9/13/2021 3:12 PM

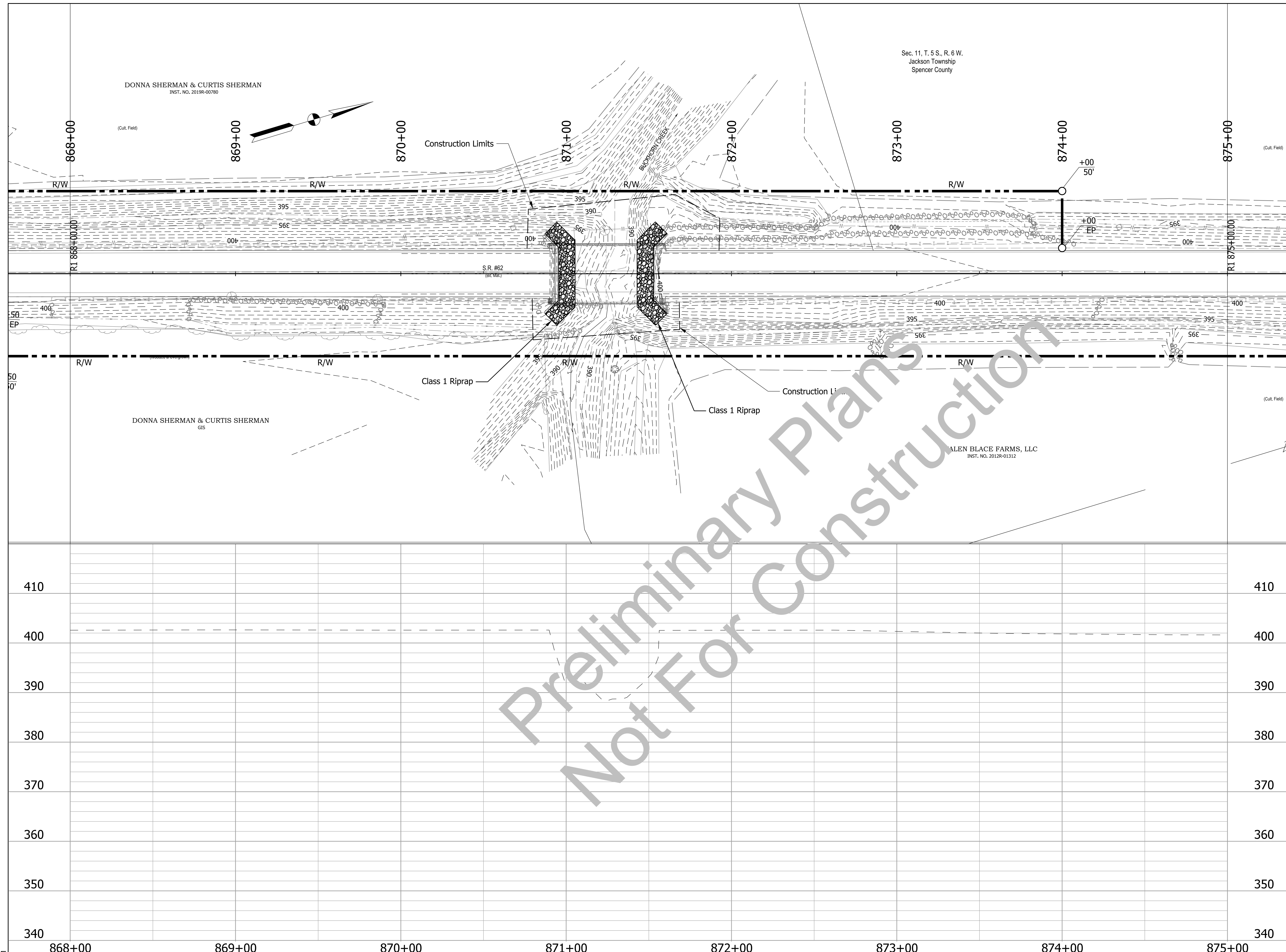


Preliminary Plans
Not For Construction

Plot: 9/13/2021 3:12 PM

File: pw:\indot-pw.bentley.com\indot-pw-01\Documents\Vincennes\1800914\Design\MS\Sht Erosion Control Model:Default

RECOMMENDED FOR APPROVAL _____ DESIGN ENGINEER DATE	INDIANA DEPARTMENT OF TRANSPORTATION	SCALE 1" = 30'	BRIDGE FILE DESIGNATION 1800914
DESIGNED: _____ DRAWN: _____ CHECKED: _____ CHECKED: _____	TEMPORARY EROSION CONTROL PLAN	CONTRACT B-41060	SHEETS 5 of 9 PROJECT



PUBLIC UTILITIES

POWER: ?
?
?
(???) ???-????

TELEPHONE: ?
?
?
(???) ???-????

CABLE: ?
?
?
(???) ???-????

PRESENT STRUCTURE

??
 ???
 ???
 ???
 ???

HYDRAULIC DATA

Waterway Opening Required	? Sq. ft.
Waterway Opening Provided	? Sq. ft.
Drainage Area	? Sq. mi.
Design Discharge, Q100	? Cfs.
Velocity	? Fps.
Q100 Elev.	? MSL
Estimated Scour Elev.	? MSL
Backwater at Q100	? ft.
Existing Waterway Opening	? Sq. ft.
Existing Backwater	? ft.
Upper Limit of Wet Exc. Elev.	? MSL
Low Structure Elev.	? MSL
Existing Low Structure Elev.	? MSL

EARTHWORK TABULATION

Fill + 20%	? Cys.
Common Excavation	? Cys.
Usable Waterway Excavation (70%)	? Cys.
Surplus Foundation Excavation	? Cys.
Waste (Borrow)	? Cys.
Total Waterway Excavation	? Cys.
À Benching (Estimated)	? Cys.

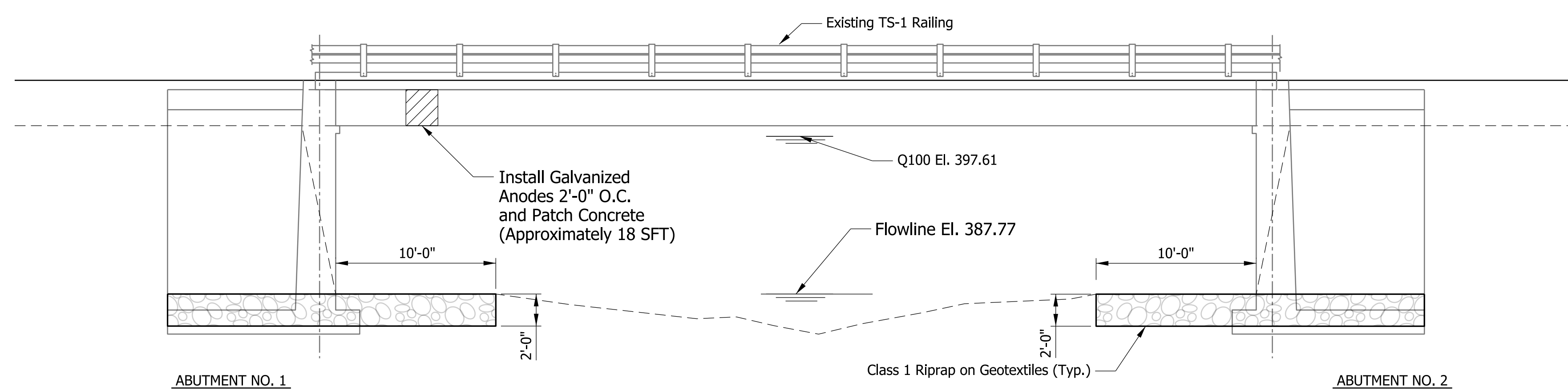
À No direct payment. Benching will not be paid for as Common Excavation.

TYPE OF STRUCTURE
 ? SPANS AT ?, ?, ? AT ?^SKEW ?,
 ? CLEAR ROADWAY
 OVER ? ON ?
 IN ? COUNTY

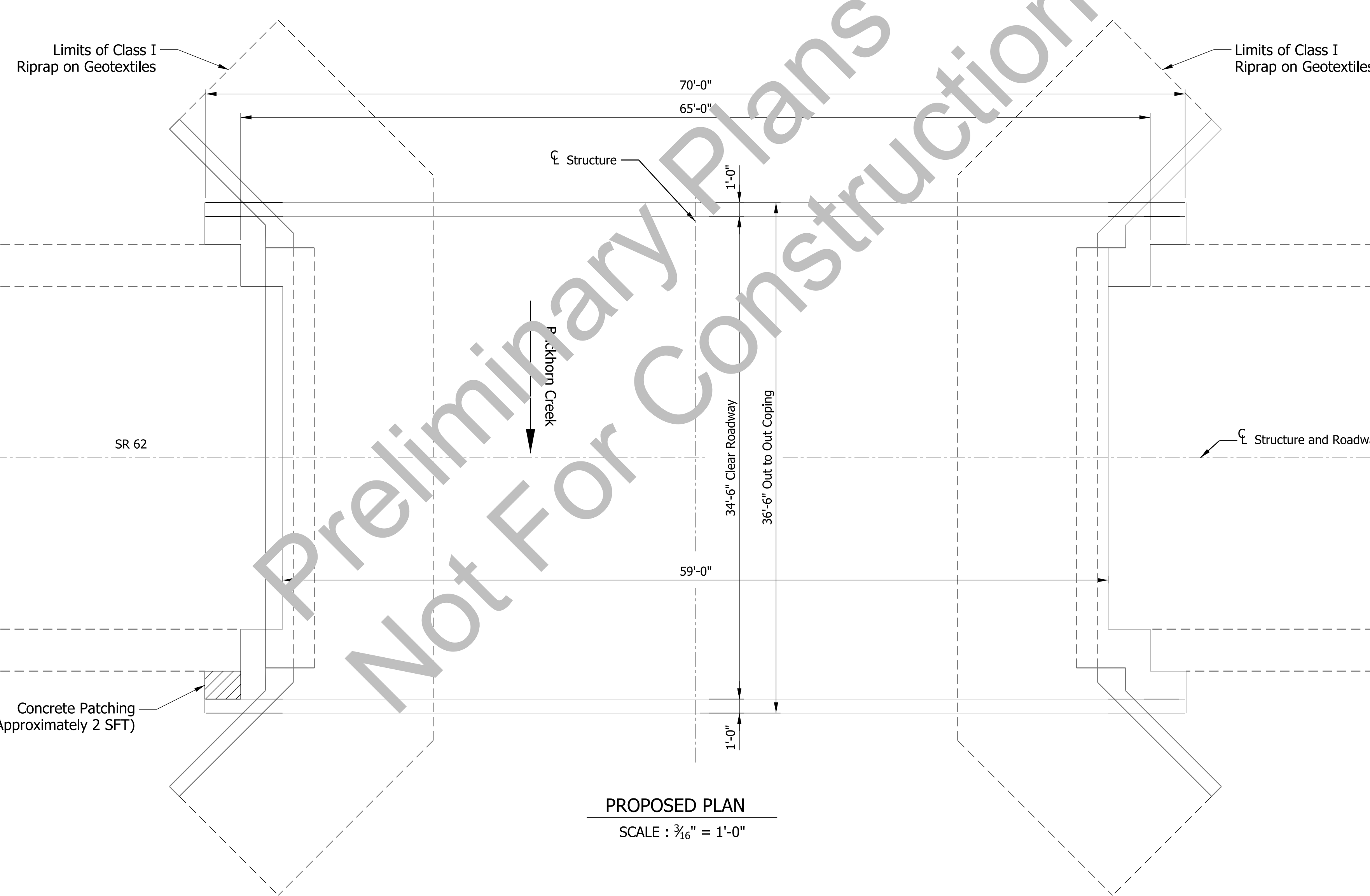
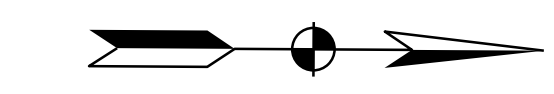
410											410
400											400
390											390
380											380
370											370
360											360
350											350
340											340
	868+00	869+00	870+00	871+00	872+00	873+00	874+00	875+00			

RECOMMENDED FOR APPROVAL _____ DESIGN ENGINEER _____ DATE _____	INDIANA DEPARTMENT OF TRANSPORTATION		SCALE	BRIDGE FILE
			1" = 30'	
DESIGNED: _____ DRAWN: _____	LAYOUT		DESIGNATION	
CHECKED: _____ CHECKED: _____			1800914	SHEETS
			6 of 9	
			CONTRACT	PROJECT
			B-41060	

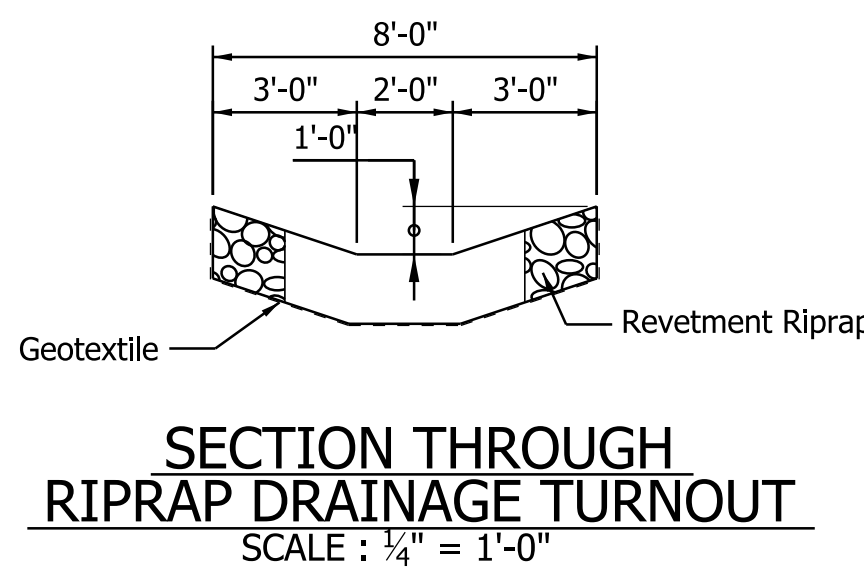
Plot: 9/13/2021 3:13 PM
 File: pw:\indot-pw.bentley.com\indot-pw-01\Documents\Vincennes\1800914\Design\MS\Sh Layout_30_1.dgn
 Model: Default



ELEVATION (Looking East)
SCALE : 3/16" = 1'-0"



PROPOSED PLAN
SCALE : 3/16" = 1'-0"



SECTION THROUGH RIPRAP DRAINAGE TURNOUT
SCALE : 1/4" = 1'-0"

GENERAL NOTES

Plans for the existing bridge are on file in the Records Unit of the Indiana Department Of Transportation as Bridge File 62-74-6164 B.

Where new work is to be fitted to old work, the Contractor shall check all dimensions and conditions in the field and report any errors or discrepancies to the Engineer and assume responsibility for their correctness and the fit of the new part to the old.

MATERIAL NOTES

Bridge Deck Overlay:
1 3/4" Latex Modified Portland Cement Concrete.

DESIGN DATA

Live Load:
Originally designed for HS20-44 Loading in accordance with 1965 AASHTO LFD specifications

Dead Load:
Actual without future wearing surface

Allowable Design Stresses:
Class C Concrete $f_c = 4,000$ psi

CONSTRUCTION PROCEDURE

Remove portions of deck as shown on plans. Mill existing deck 1/2". Construct deck overlay as shown. Existing deck to be patched at locations as directed by the Engineer. Install riprap and riprap turnouts as shown on the plans. Install cathodic protection and patch concrete around drain hole on west coping. Wedge and level approach grade.

Continuous Prestressed Concrete Box Beam Bridge
Single Span @ 56'-0"
34'-6" Clear Roadway on SR 62
Over Buckhorn Creek
In Jackson Township, Spencer County

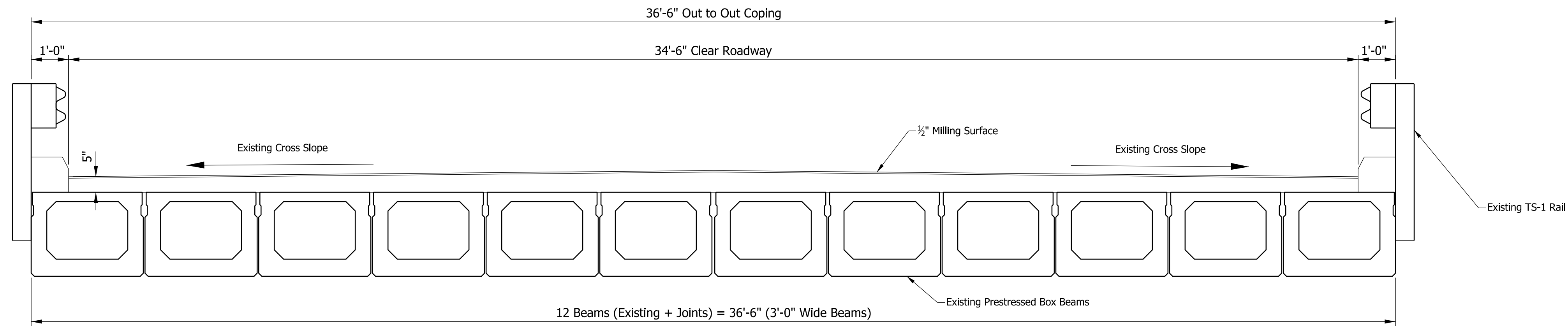
DATE	REVISION

RECOMMENDED FOR APPROVAL	DESIGN ENGINEER	DATE
DESIGNED: ARS	DRAWN: MGA	
CHECKED: RBM	CHECKED: ARS	

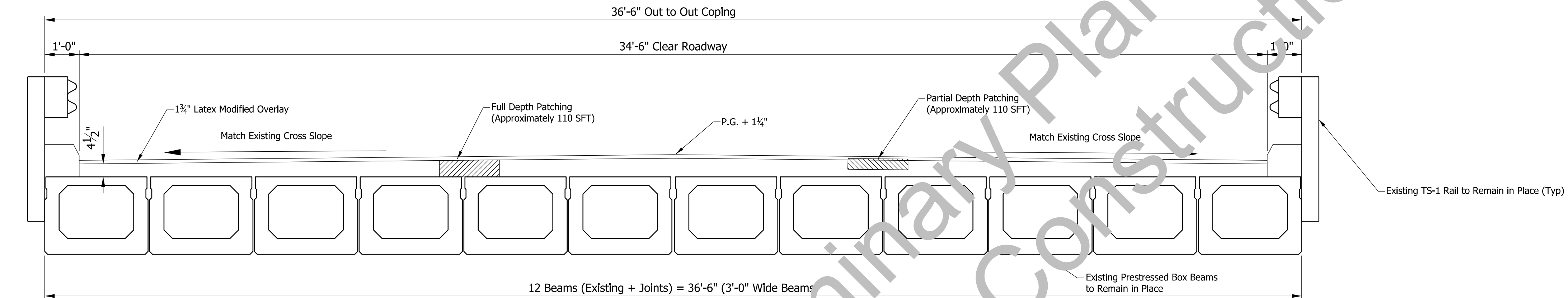
INDIANA DEPARTMENT OF TRANSPORTATION
GENERAL PLAN SHEET NO. 1

SCALE 3/16" = 1'-0"	BRIDGE FILE 62-47-06164 C
	DESIGNATION 1800914
SURVEY BOOK	SHEETS
	7 of 9
CONTRACT B-41060	PROJECT 1800914

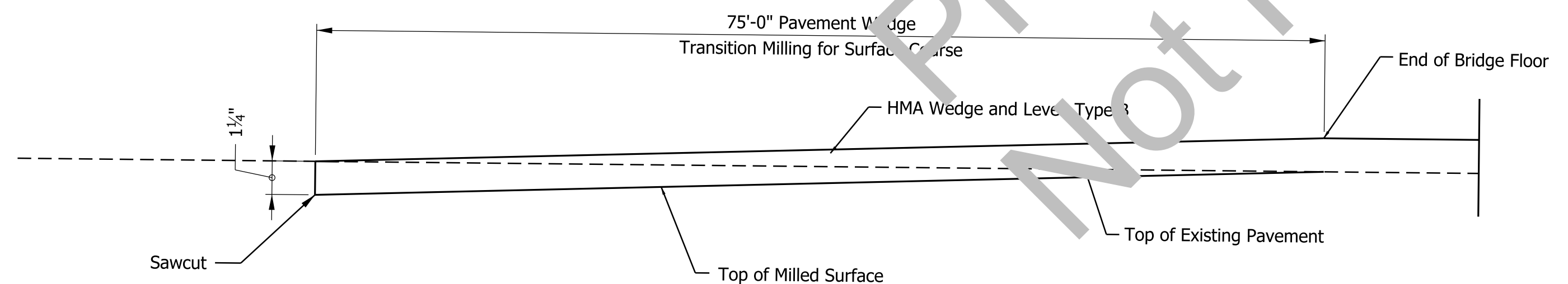
Plot: 9/13/2021 3:13 PM



EXISTING SECTION
Scale = 1/2" = 1'-0"



PROPOSED SECTION
Scale = 1/2" = 1'-0"



TRANSITION MILLING DETAIL
Scale: None

GENERAL NOTES

Plans for the existing bridge are on file in the Records Unit of the Indiana Department Of Transportation as Bridge File 62-74-6164 B.

Where new work is to be fitted to old work, the Contractor shall check all dimensions and conditions in the field and report any errors or discrepancies to the Engineer and assume responsibility for their correctness and the fit of the new part to the old.

MATERIAL NOTES

Bridge Deck Overlay:
1 3/4" Latex Modified Portland Cement Concrete, or 1 3/4" Micro Silica Concrete Overlay

DESIGN DATA

Live Load:
Originally designed for HS20-44 Loading in accordance with 1957 AASHO LFD specifications

Dead Load:
Actual without future wearing surface

Allowable Design Stresses:
Class C Concrete $f_c = 4,000$ psi

CONSTRUCTION PROCEDURE

Mill existing deck 1/2".
Construct deck overlay as shown. Existing deck to be patched at locations as directed by the Engineer. Install riprap and riprap turnouts as shown on the plans. Install cathodic protection and patch concrete around drain hole on west coping. Patch SE corner of bridge as indicated on the Plans. Wedge and level approach grade.

Plot: 9/13/2021 3:14 PM

DATE	REVISION

RECOMMENDED FOR APPROVAL	DESIGN ENGINEER	DATE
DESIGNED: ARS	DRAWN: MGA	
CHECKED: RBM	CHECKED: ARS	

INDIANA DEPARTMENT OF TRANSPORTATION

GENERAL PLAN SHEET NO. 2

SCALE AS SHOWN	BRIDGE FILE 62-74-06164 C
	DESIGNATION 1800914
SURVEY BOOK	SHEETS 8 of 9
CONTRACT B-41060	PROJECT 1800914

File: pv:\dotwise\indot.in.gov\DOTWise\Documents\Vincennes\1800914\Design\MS\Sht Cross Section.dgn
Model: BR_Detail Sheet

Preliminary Plans
Not For Construction

Plot: 9/13/2021 3:14 PM

DATE	REVISION

RECOMMENDED FOR APPROVAL	<i>ENG SIGNATURES</i>		\$SIG_DT\$
	DESIGN ENGINEER		DATE
DESIGNED: \$DESBY\$	\$DES_DT\$	DRAWN: \$DWNBY\$	\$DWN_DT\$
CHECKED: \$DESCHKBY\$	\$DESCHKBY_DATE\$	CHECKED: \$DWNCHKBY\$	\$DWNCHK_DT\$

INDIANA DEPARTMENT OF TRANSPORTATION
BRIDGE SUMMARY

SCALE	BRIDGE FILE
\$SCALE\$	DESIGNATION
	1800914
	SHEETS
	9 of 9
CONTRACT	PROJECT
B-11060	