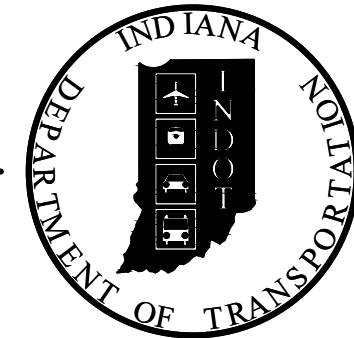


PROJECT	DESIGNATION
1703020	1703020
CONTRACT	BRIDGE FILE
B-40895	-

INDIANA DEPARTMENT OF TRANSPORTATION



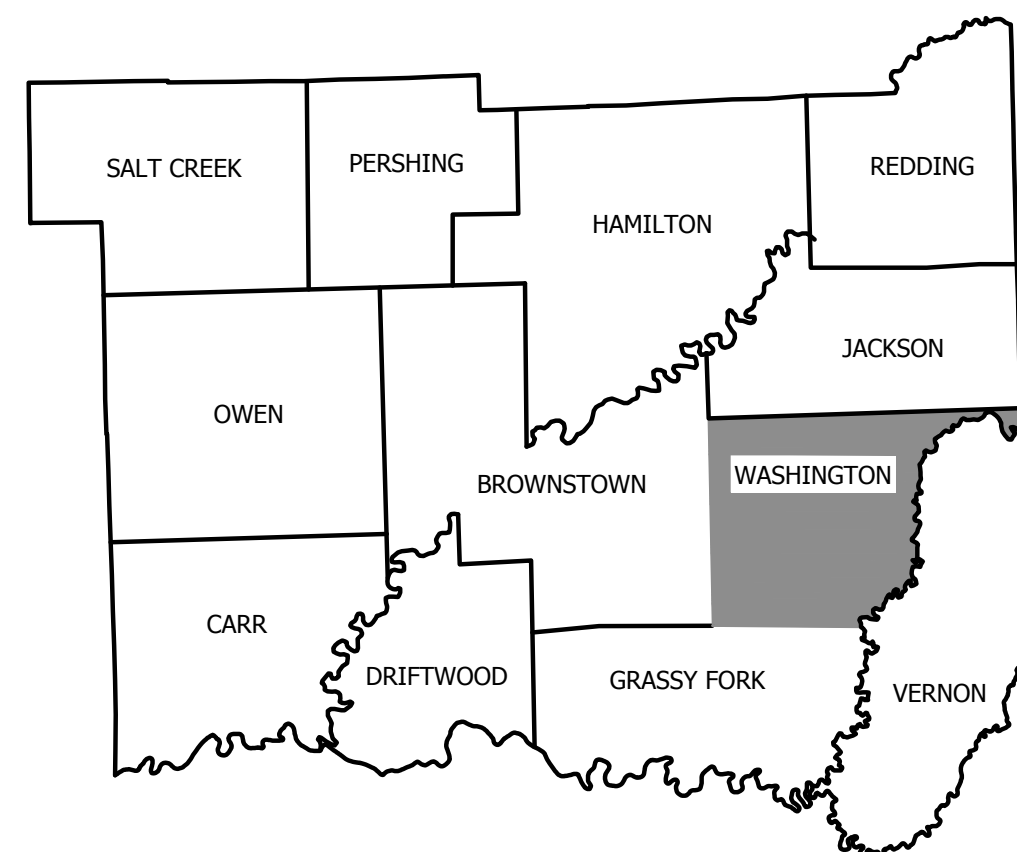
TRAFFIC DATA		E CR300 S
A.A.D.T. (2020)		30 V.P.D.
A.A.D.T. (2040)		40 V.P.D.
D.H.V. ()		V.P.H.
DIRECTIONAL DISTRIBUTION		50% - 50%
TRUCKS		5.00% A.A.D.T.
DESIGN DATA		
DESIGN SPEED		30 M.P.H.
PROJECT DESIGN CRITERIA		(3R) NON-FREEWAY
FUNCTIONAL CLASSIFICATION		LOCAL RURAL
RURAL/URBAN		RURAL
TERRAIN		LEVEL
ACCESS CONTROL		NONE

STRUCTURE	DESIGNATION	TYPE	SPAN AND SKEW	OVER	STATION
Jackson County Bridge 154	1703020	Continuous Haunched Reinforced Concrete Slab Bridge	3 Spans, 30'-0", 50'-0" & 30'-0" 5° Skew	Rider Ditch	7+60.7Line "PR-A"

BRIDGE PLANS

FOR SPANS OVER 20 FEET

ROUTE: E COUNTY ROAD 300 S
 PROJECT NO. 1703020 P.E.
 1703020 R/W
 1703020 CONST.



TOWNSHIP MAP

APPROVED:
 JACKSON COUNTY BOARD OF COMMISSIONERS

DATE: _____

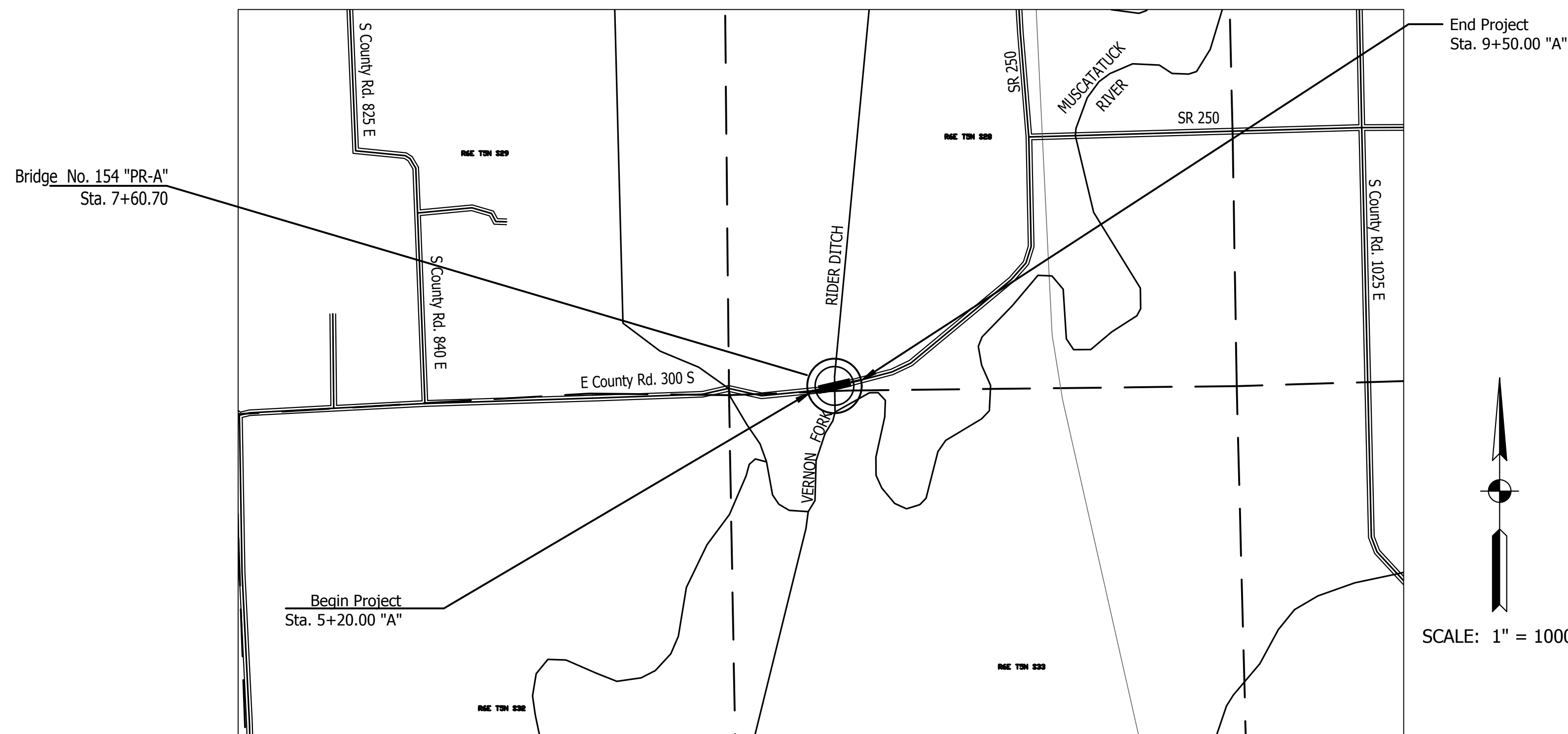
MATT REEDY
 PRESIDENT

DREW MARKET
 MEMBER

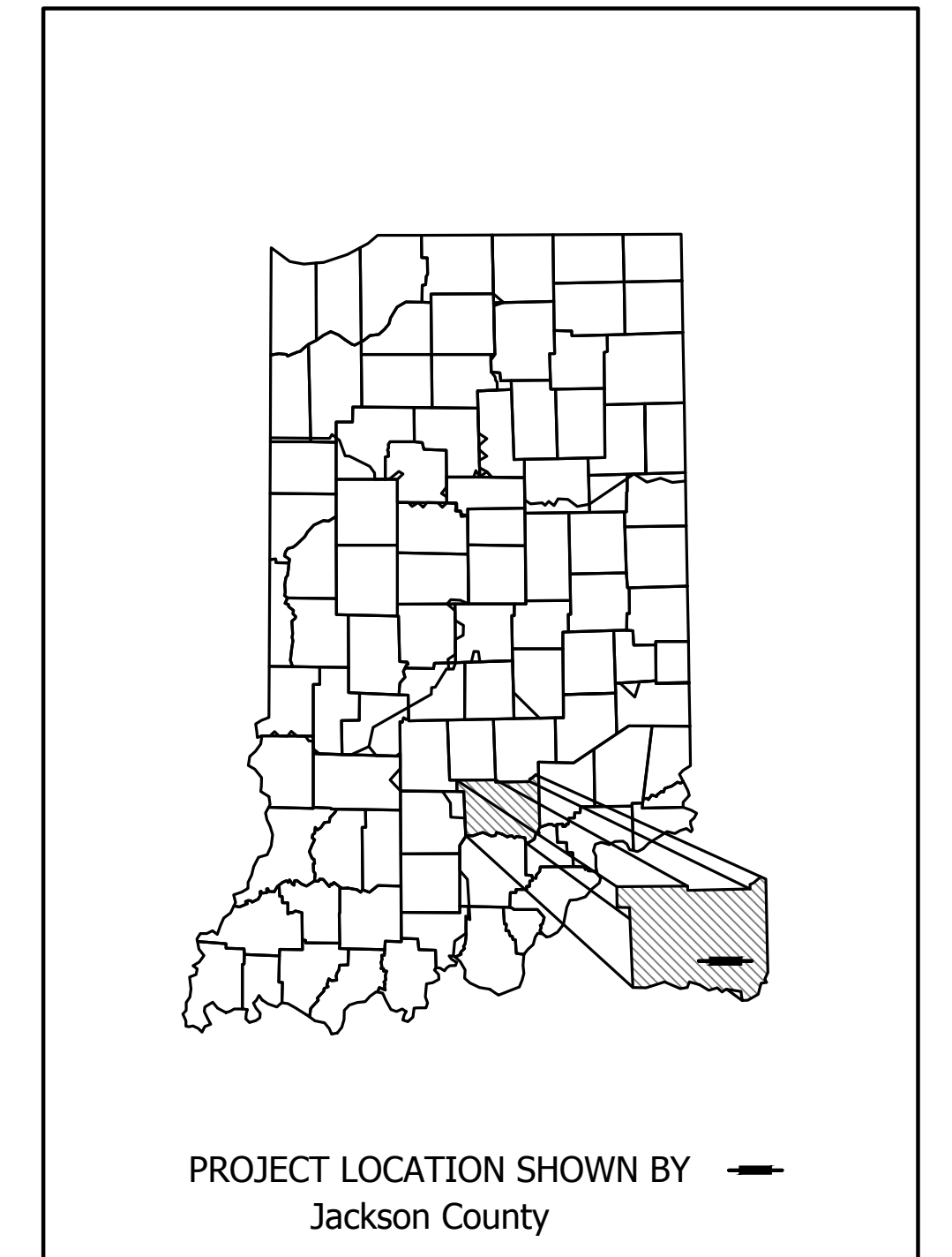
BOB GILLASPY
 MEMBER

KATHY HOENSTREITER JACKSON COUNTY AUDITOR

Bridge Replacement of Structure No. 154 over Rider Ditch, located along County Road 300S and is located 0.8 miles E of CR 840 E in Section 28, R-6-E, T-5-N, Washington Township, Jackson County, Indiana



LOCATION MAP
 JACKSON COUNTY



PROJECT LOCATION SHOWN BY
 Jackson County

LATITUDE: 38°50'14.35"N LONGITUDE: 85°51'58.07"W

BRIDGE LENGTH: 0.021 MI.
 ROADWAY LENGTH: 0.060 MI.
 TOTAL LENGTH: 0.081 MI.
 MAX. GRADE: 3.87 %

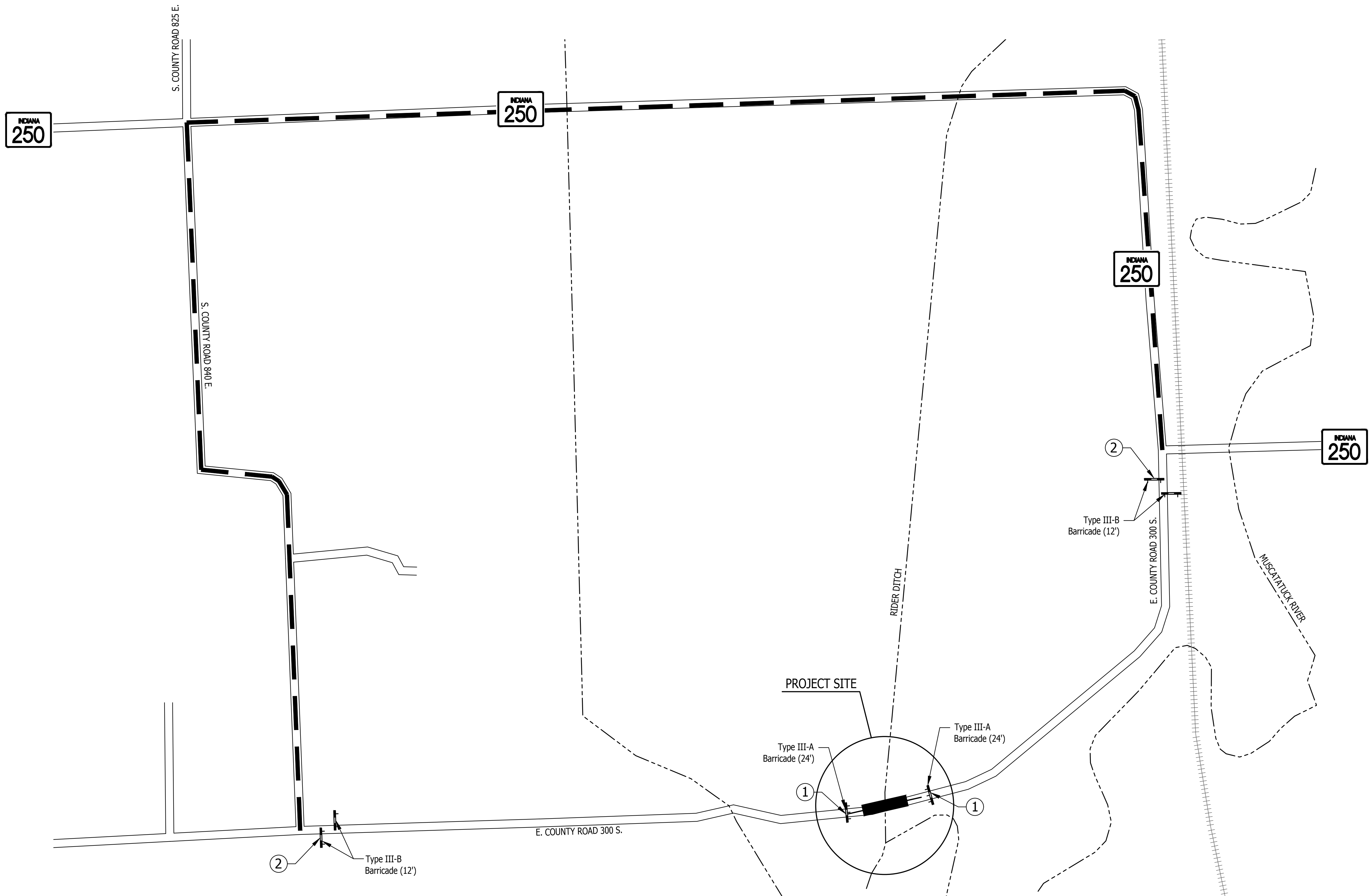
INDIANA DEPARTMENT OF TRANSPORTATION
 STANDARD SPECIFICATIONS DATED 2020
 TO BE USED WITH THESE PLANS

Title: 1445-152 Date: 9/20/2021 Scale: 1"=1000' Drawing File: 1286 - Jackson Co Bridge 154 Design\DWG\BRIDGE\001 Title Sheet.dwg (Legen)

JSE
 JANSSEN & SPAANS ENGINEERING
 9120 Harrison Park Court
 Indianapolis, Indiana 46216
 (317) 254-9686 Fax (317) 259-8262

PLANS PREPARED BY: JANSSEN & SPAANS ENGINEERING, INC. (317) 254-9686 PHONE NUMBER
 CERTIFIED BY: _____ DATE _____
 APPROVED FOR LETTING: _____ DATE _____
 INDIANA DEPARTMENT OF TRANSPORTATION

BRIDGE FILE	
DESIGNATION	
1703020	
SURVEY BOOK	SHEETS
CONTRACT	PROJECT
B-40895	1703020



DETOUR PLAN
N.T.S.

LEGEND

- Indicates Detour Route
- Type III Barricade

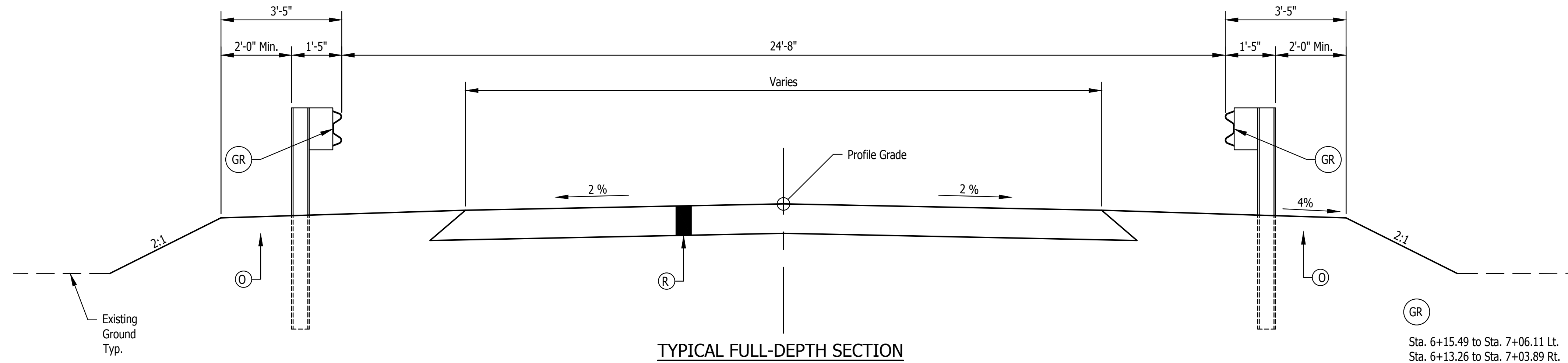
ROAD CLOSED
R11-2
1

ROAD CLOSED
MILES AHEAD
LOCAL TRAFFIC ONLY
R11-3
2

NOTE TO REVIEWER: DETOUR SIGNS WILL BE ADDED AT A LATER DATE.

Last Saved By: Thutton
 Date: 11/7/2021
 Drawing File: I:\206 - Jackson Co Bridge 154 Design\DWGS\BRIDGE\003-DETOUR SHEET.dwg

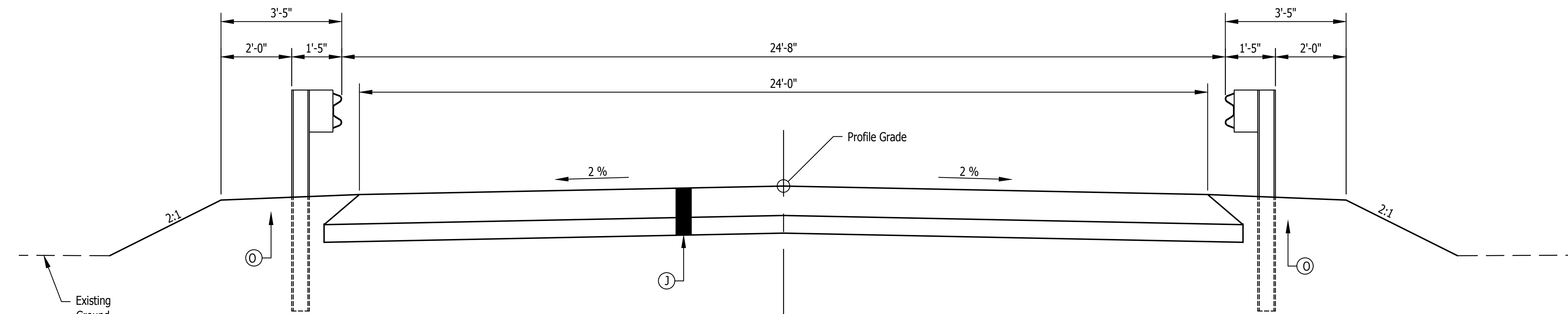
					RECOMMENDED FOR APPROVAL: _____ 9/17/2020 DATE DESIGN ENGINEER	INDIANA DEPARTMENT OF TRANSPORTATION				HORIZONTAL SCALE 1"=20' VERTICAL SCALE 1"=10'	FILE - DESIGNATION 1703020
					DESIGNED: ZGC DRAWN: TLH CHECKED: JMM CHECKED: ZGC	DETOUR				SURVEY BOOK 3 of 14 SHEET	PROJECT 1703020
									CONTRACT B-40895	PROJECT 1703020	



TYPICAL FULL-DEPTH SECTION

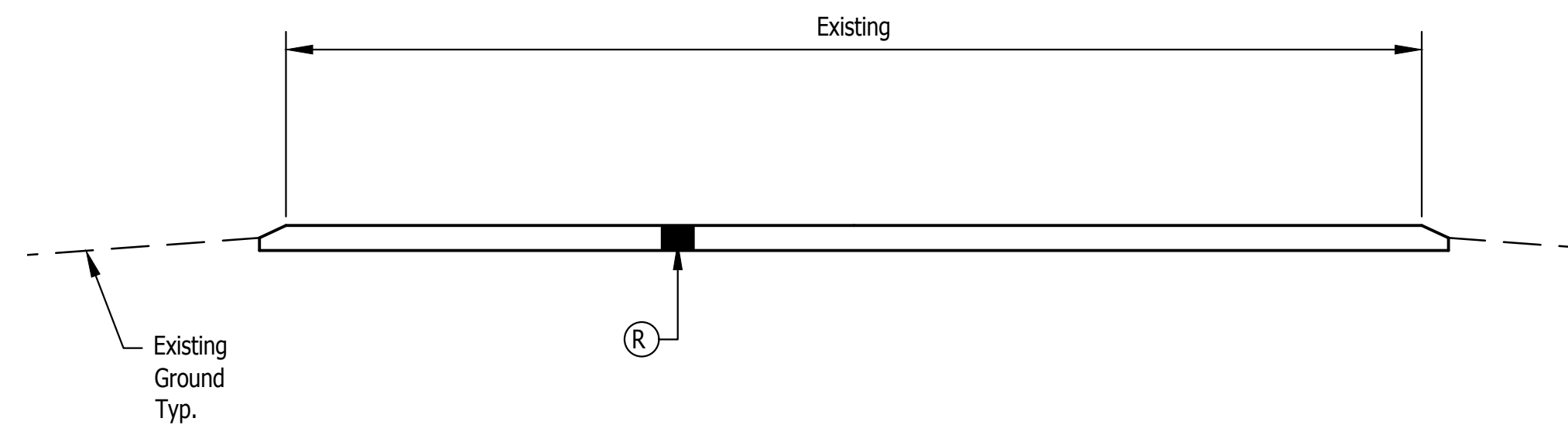
Sta. 5+50 to Sta. 6+25 (Varies from existing to 24'-0")
 Sta. 9+00.00 to 9+51.11 (Varies from 24'-0" to existing)

Sta. 6+15.49 to Sta. 7+06.11 Lt.
 Sta. 6+13.26 to Sta. 7+03.89 Rt.
 Sta. 8+17.56 to Sta. 9+08.19 Lt.
 Sta. 8+15.40 to Sta. 9+06.03 Rt.



TYPICAL FULL-DEPTH SECTION

Sta. 6+25 to Sta. 6+83.4
 Sta. 8+38.0 to 9+00



TYPICAL INCIDENTAL SECTION

Sta. 5+30 to Sta. 5+50
 Sta. 9+51.11 to Sta. 9+71.11

NOTES:
 For variable depth resurface sections, areas where pavement depth is greater than 4" in thickness shall be compacted in 3" to 6" lifts.

LEGEND

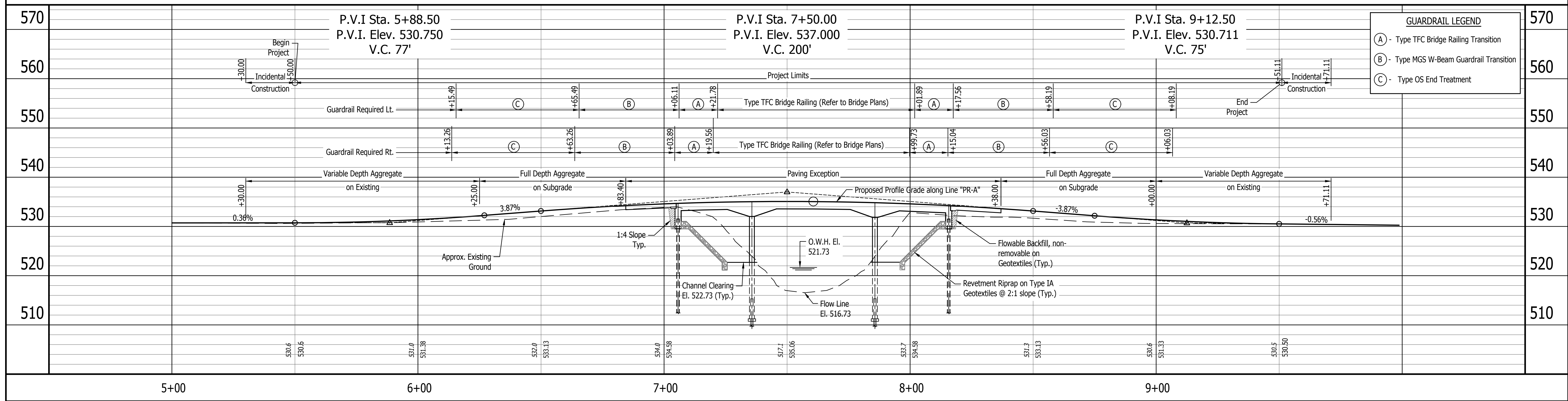
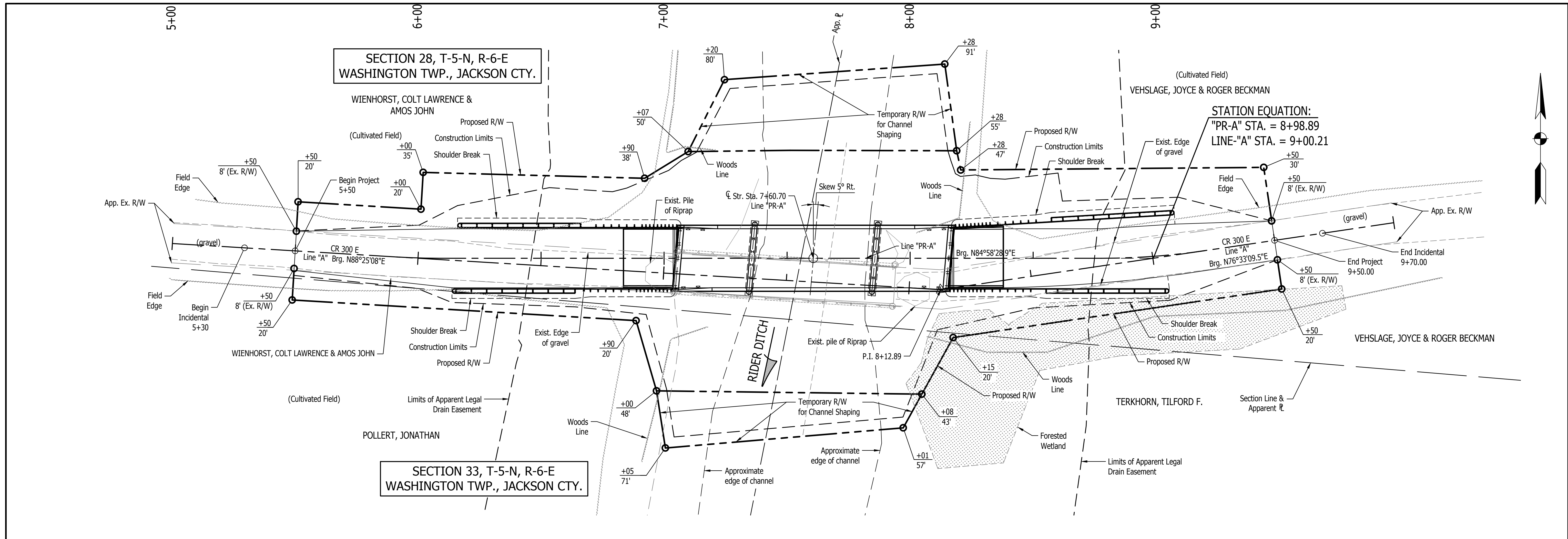
- ① Full Depth Aggregate Pavement
 10 in. Min. (placed in 3 in. to 6 in. lifts) Compacted Aggregate, No. 53 on Subgrade Treatment, Type II, (6 in. of Compacted Aggregate, No. 53)
- Ⓜ Resurface
 Variable Depth Compacted Aggregate, No. 53
- Ⓞ Borrow

RECOMMENDED FOR APPROVAL	DESIGN ENGINEER	DATE
DESIGNED: GTC	DRAWN: KRO	
CHECKED: KDE	CHECKED: KDE	

INDIANA
 DEPARTMENT OF TRANSPORTATION

TYPICAL SECTIONS

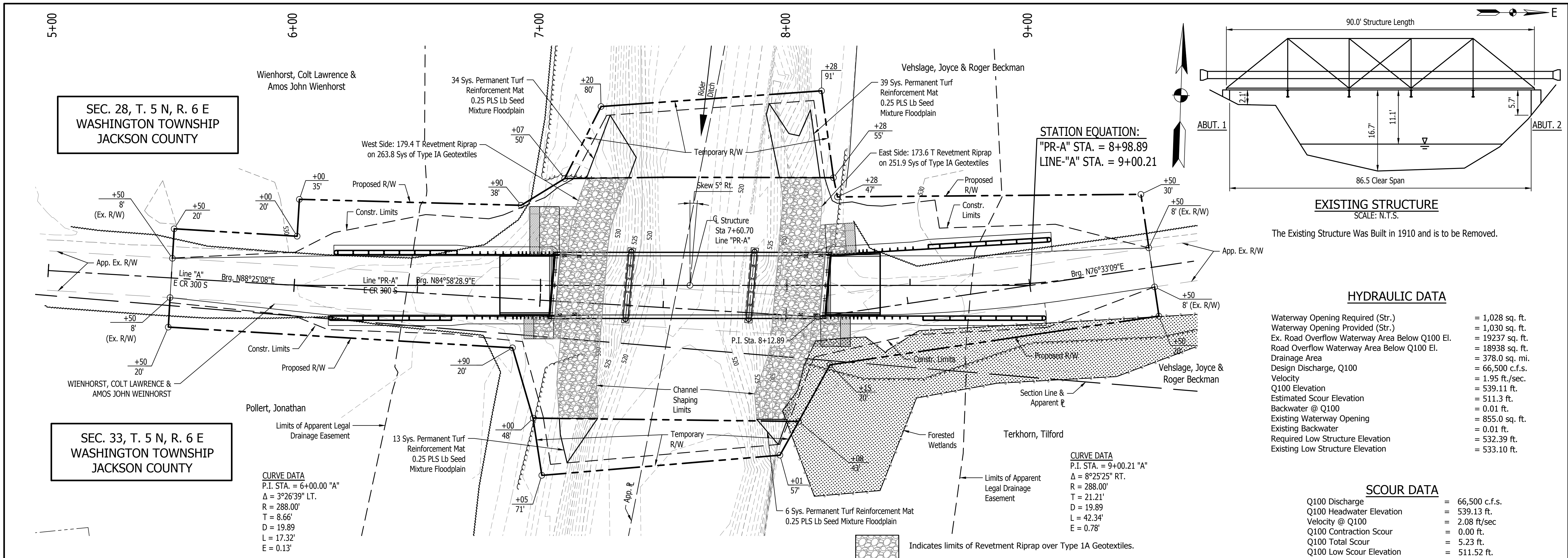
HORIZONTAL SCALE	BRIDGE FILE
1" = 1'-0"	-
VERTICAL SCALE	DESIGNATION
N/A	1703020
SURVEY BOOK	SHEETS
	4 of 14
CONTRACT	PROJECT
B-40895	1703020



GUARDRAIL LEGEND	
(A)	Type TFC Bridge Railing Transition
(B)	Type MGS W-Beam Guardrail Transition
(C)	Type OS End Treatment

<p>XX Cor. XX X/X Sec. XX, T. XXX, R. XX Harrison Mon. Fnd.</p> <p>C.R.F.</p> <p>TBM 2 JCS Capped Rebar Elev. 528.98</p>	<p>C.P. 106</p> <p>C.R.F.</p> <p>TBM 3 Rebar w/ Cap "Ryan D. Perry LS21500015" Elev. 530.01</p>				
<p>RECOMMENDED FOR APPROVAL: _____ DATE _____</p> <p>DESIGNED: GTC DRAWN: ACF</p> <p>CHECKED: KDE CHECKED: KDE</p>			<p>INDIANA DEPARTMENT OF TRANSPORTATION</p> <p>PLAN & PROFILE LINE "PR-A"</p>		
<p>HORIZONTAL SCALE 1"=20'</p> <p>VERTICAL SCALE 1"=10'</p>			<p>FILE -</p> <p>DESIGNATION 1703020</p> <p>SURVEY BOOK - SHEET 5 of 14</p> <p>CONTRACT B-40895 PROJECT 1703020</p>		

Last Saved By: T. Legan
 Date: 11/18/2021
 File Path: P:\1286 - Jackson Co Bridge\1st Design\DWG\BRIDGE\006-PR-A.dwg



550	P.V.I. Sta. 5+88.50 P.V.I. Elev. 530.750 V.C. 77'	P.V.I. Sta. 7+50.00 P.V.I. Elev. 537.000 V.C. 200'	P.V.I. Sta. 9+12.50 P.V.I. Elev. 530.711 V.C. 75'	550
540	111.51' (Structure Limits)			
530	Existing Ground			
520	Q100 El. 539.11			
510	Low Str. El. 532.39			
500	Proposed Grade along Line "PR-A"			
5+00	6+00	7+00	8+00	9+00

XX Cor. XX X/X Sec. XX, T. XXX, R. XX Harrison Mon. Fnd. C.R.F.	C.P. 106 TBM 3 Rebar w/ Cap "Ryan D. Perry LS21500015" Elev. 530.01	RECOMMENDED FOR APPROVAL: _____ 9/17/2020 DESIGN ENGINEER DATE	INDIANA DEPARTMENT OF TRANSPORTATION LAYOUT SHEET LINE "PR-A"	HORIZONTAL SCALE 1"=20' VERTICAL SCALE 1"=10' SURVEY BOOK CONTRACT B-40895	FILE DESIGNATION 1703020 SHEET 6 of 14 PROJECT 1703020
TBM 2 JCS Capped Rebar Elev. 528.98 C.R.F.	TBM 3 Rebar w/ Cap "Ryan D. Perry LS21500015" Elev. 530.01	DESIGNED: ZGC CHECKED: KDE	DRAWN: TLH CHECKED: KDE		

Last Saved By: Thorton
 Date: 11/18/2021
 File Name: E:\Projects\11386 - Jackson Co Bridge\1st Design\DWG\BRIDGE001A_V0101.dwg

GENERAL NOTES

There are no plans for the current existing structure.

Reinforcing steel covering shall be 2 1/2 inches in top and 1" minimum in bottom of floor slab, and 2" in all other parts, unless noted.

DESIGN STRESSES

CONCRETE
 Class C $f_c = 4000$ psi
 Class A $f_c = 3500$ psi

REINFORCING STEEL
 Grade 60 $f_y = 60,000$ psi

STRUCTURAL STEEL FOR PILES
 ASTM A272, Grade 50 $f_y = 50$ ksi

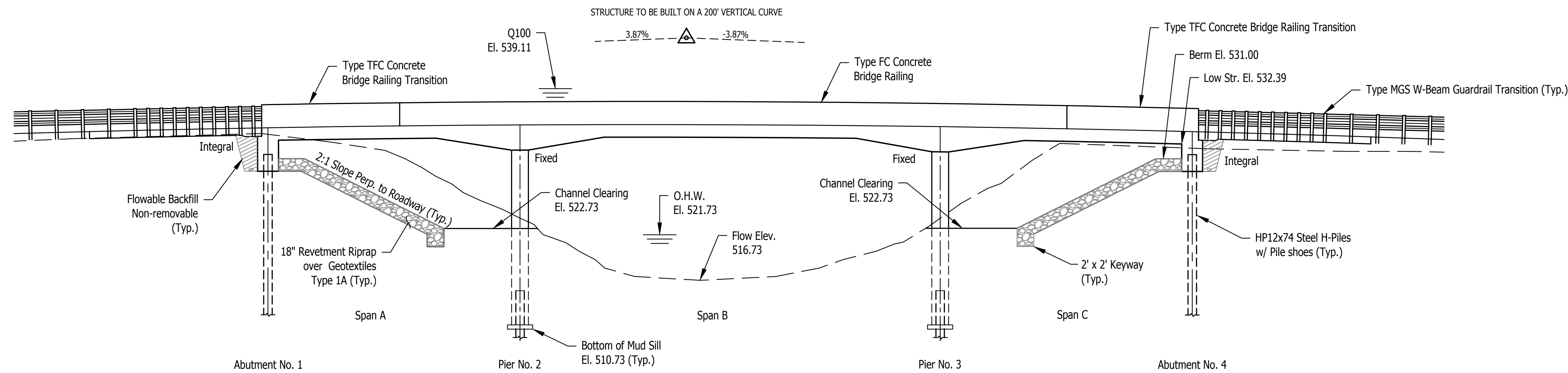
DESIGN DATA

Designed for HL-93 loading, in accordance with the AASHTO LRFD Bridge Design Specifications, Eighth Edition, 2017 & all subsequent interims.

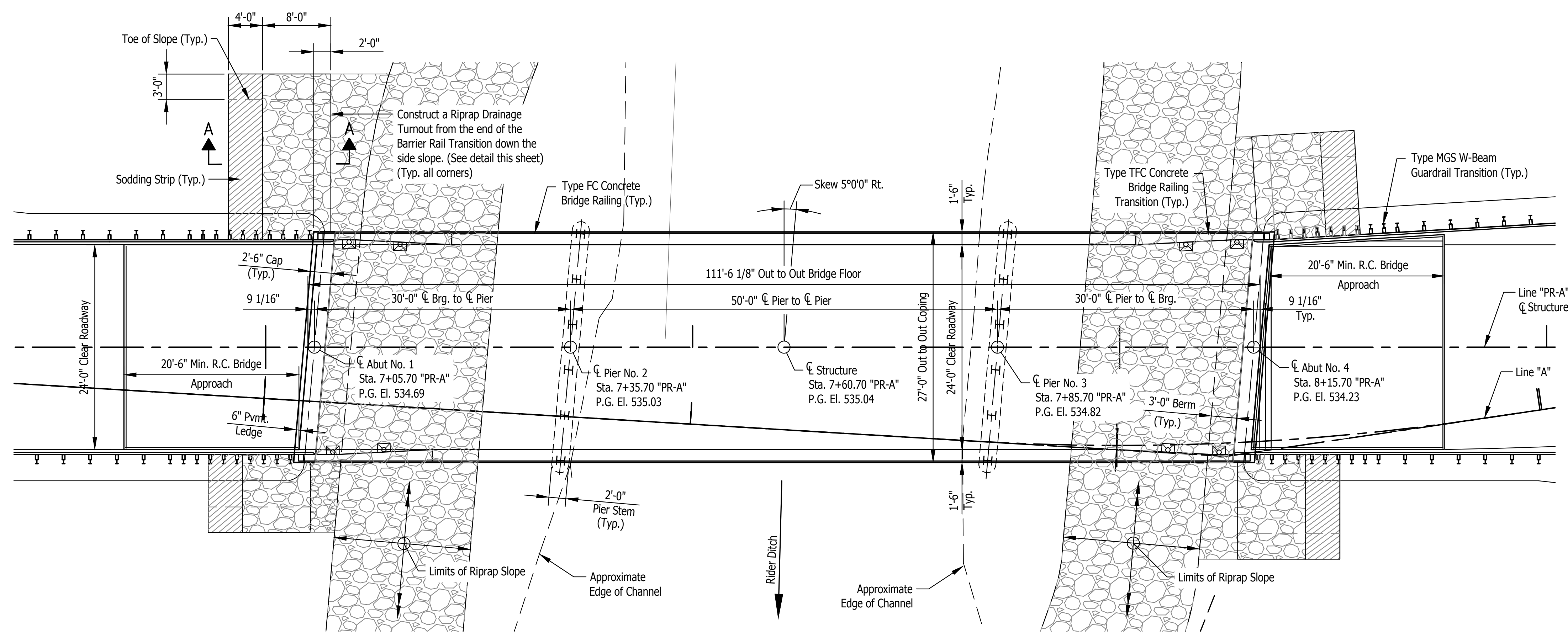
DEAD LOAD
 Actual weight plus 35lb/ft² for future wearing surface.

FLOOR SLAB
 Designed with a 17 1/2" structural depth plus 1/2" sacrificial wearing surface, with an 18" deep haunch.

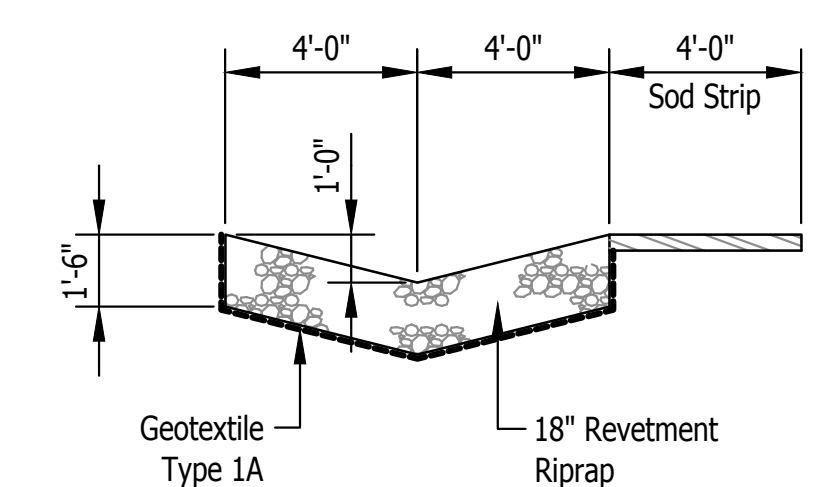
SEISMIC DESIGN DATA
 Seismic Performance Zone Zone X
 Acceleration Coefficient, SD1 X.XXX
 Seismic Soil Profile Type Class X



ELEVATION
 SCALE: 1/8" = 1'-0"



PLAN
 SCALE: 1/8" = 1'-0"



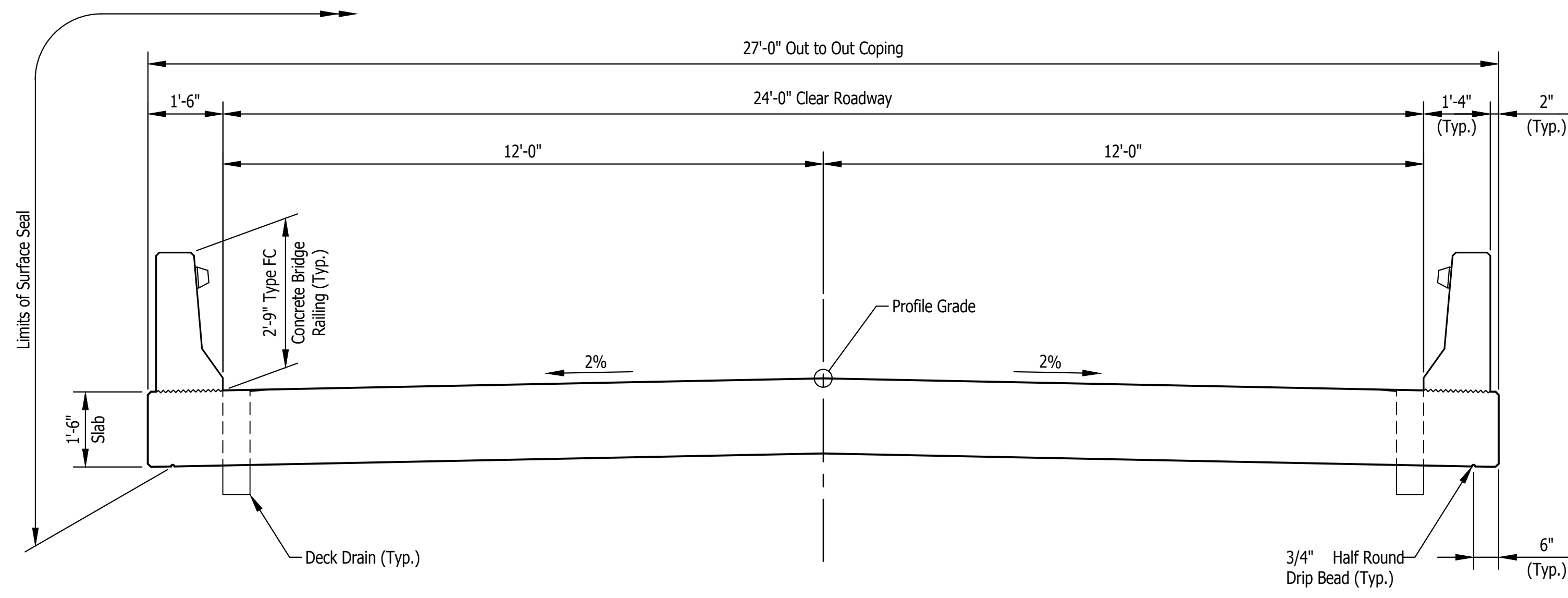
SECTION A-A
 SCALE: 1/4" = 1'-0"

NOTE TO REVIEWER:
 Deck drain locations as shown are preliminary.
 Final deck drain design to be completed at future submittal.

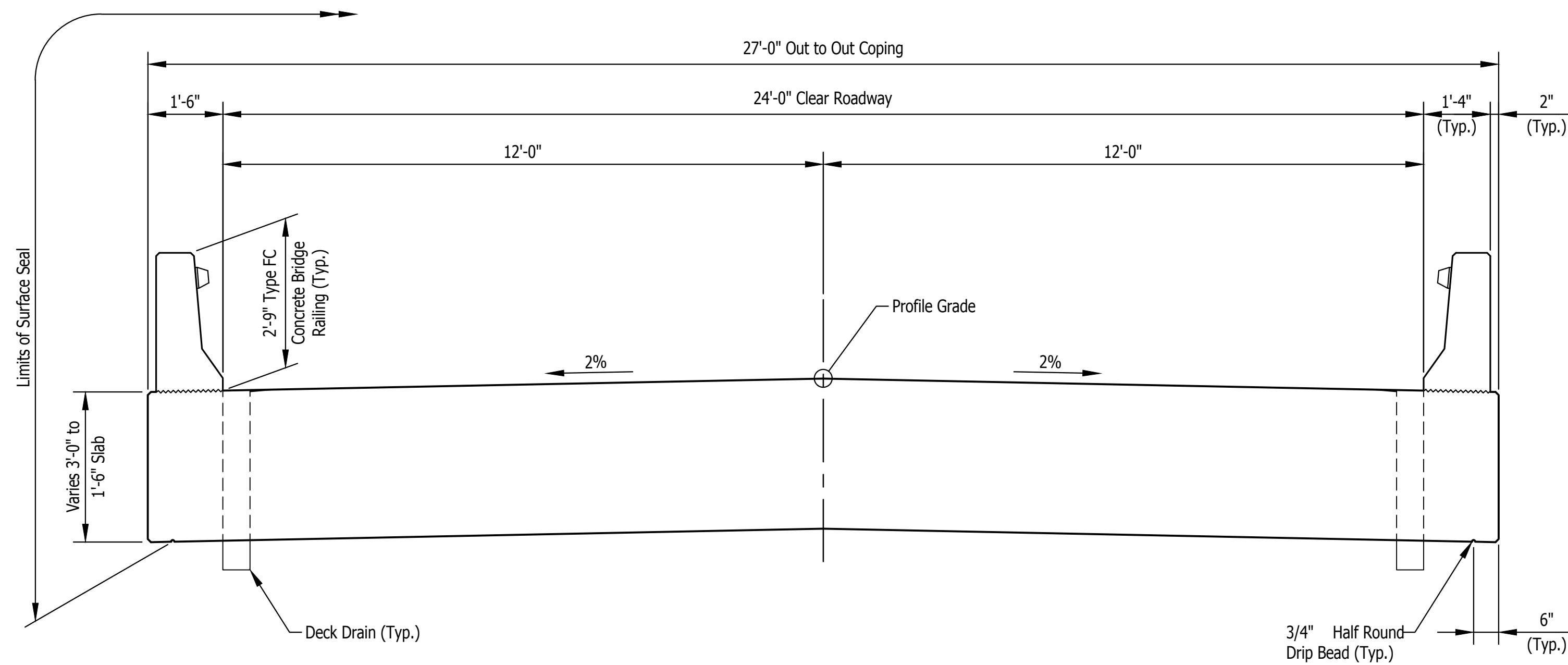
CONTINUOUS REINFORCED CONCRETE SLAB
 3 SPANS: 30'-0", 50'-0", & 30'-0"
 SKEW: 5° RT, CLEAR ROADWAY = 24'-0"
 E COUNTY ROAD 300 S OVER RIDER DITCH
 JACKSON COUNTY

Last Saved By: Theibron
 Date: 11/16/2021
 Drawing File: I:\206 - Jackson Co. Bridge 154 Design\DWG\BRIDGE\006-GENPLAN.dwg

RECOMMENDED FOR APPROVAL: _____ 9/17/2020 DESIGN ENGINEER DATE		INDIANA DEPARTMENT OF TRANSPORTATION	HORIZONTAL SCALE 1"=20'	FILE -
DESIGNED: ZDE	DRAWN: TLH		VERTICAL SCALE 1"=10'	DESIGNATION 1703020
CHECKED: KDE	CHECKED: KDE	GENERAL PLAN SHEET 1 OF 2	SURVEY BOOK	SHEET 7 of 14
			CONTRACT B-40895	PROJECT 1703020



TYPICAL SECTION AT ABUTMENTS
SCALE: 1/2" = 1'-0"



TYPICAL SECTION AT PIERS
SCALE: 1/2" = 1'-0"

CONTINUOUS REINFORCED CONCRETE SLAB
3 SPANS: 30'-0", 50'-0", & 30'-0"
SKEW: 5° RT, CLEAR ROADWAY = 24'-0"
E COUNTY ROAD 300 S OVER RIDER DITCH
JACKSON COUNTY

Last Saved By: T. Legan
 Date: 11/16/2021
 Drawing File: I:\208 - Jackson Co. Bridge 154 Design\DWG\BRIDGE\006-GEN\PLAN TYP SEC.dwg

					RECOMMENDED FOR APPROVAL: _____ 9/17/2020 DESIGN ENGINEER DATE	INDIANA DEPARTMENT OF TRANSPORTATION	HORIZONTAL SCALE 1"=20' VERTICAL SCALE 1"=10'	FILE - DESIGNATION 1703020
					DESIGNED: ZDE DRAWN: TLH CHECKED: KDE CHECKED: KDE		SURVEY BOOK 8 of 14	SHEET PROJECT 1703020
						GENERAL PLAN SHEET 2 OF 2	CONTRACT B-40895	PROJECT 1703020

SUMMARY OF BRIDGE QUANTITIES

ITEM	CONCRETE				REINF. STEEL EPOXY COATED LBS	REINF. STEEL LBS	THREADED TIE-BAR ASSYS., E.C. EACH	STEEL PILES						GEOTEXTILES FOR RIPRAP, TYPE 2A SYS	REVTMENT RIPRAP TON	COMMON EXCAVATION CYS	STRUCTURAL BACKFILL TYPE 4 CYS	BRIDGE RAIL TRANSITION WFC EACH	REINFORCED CONC. BRIDGE APPR. 12" SYS	DENSE GRADED SUBBASE CYS	TERMINAL JOINT LFT	SURFACE SEAL ESTIMATED * SFT	BARRIER DELINEATORS EACH		
	"C" IN SUPER	"C" IN SUBSTR.	"A" IN SUBSTR.	"C" IN RAILING				PILE, STEEL PIPE, 14" DIA., 0.5" WALL		PILE, STEEL PIPE, EPOXY COATED, 14" DIA., 0.5" WALL		CONICAL PILE TIP, 14 IN	DYNAMIC PILE LOAD TEST											TEST PILE, DYNAMIC PRODUCTION	TEST PILE, DYNAMIC RESTRIKE
	CYS	CYS	CYS	CYS				NO.	LFT	NO.	LFT	EA	EA											LFT	EACH
BENT NO.1																									
BENT NO. 2																									
BENT NO. 3																									
BENT NO.4																									
SUPERSTRUCTURE																									
RAILING																									
WEST APPR. SLAB																									
EAST APPR. SLAB																									
TOTALS	0			0	0		0	0	0	0	0	0	0	0	0		0.0	0	0	0	0	0	0	0	

PRINT DATE: 11/08/21
 PLOT SCALE: 1:1
 EDIT DATE: 5/10/18 - 8:54 AM
 EDITED BY: THUTTON
 DRAWING FILE: P:\1286 - JACKSON CO BRIDGE - 154 DESIGN\DWGS\BRIDGE\0154BR SUMMARY.DWG

RECOMMENDED FOR APPROVAL _____	DESIGN ENGINEER _____	DATE _____
DESIGNED: GTC _____	DRAWN: KRO _____	
CHECKED: KDE _____	CHECKED: KDE _____	

INDIANA
DEPARTMENT OF TRANSPORTATION

BRIDGE SUMMARY

HORIZONTAL SCALE	BRIDGE FILE
NONE	-
VERTICAL SCALE	DESIGNATION
NONE	1703020
SURVEY BOOK	SHEETS
	9 of 14
CONTRACT	PROJECT
B-40895	1703020

PAVEMENT QUANTITIES AND APPROACH TABLE

LOCATION	DESCRIPTION (APPROACH TYPE OR CLASS)	WIDTH FT.	LENGTH FT.	RADII FT.	DISTANCE BEYOND R/W LINE FT.	SURFACE BEYOND R/W LINE			GRADE	EXCAVATION	CEMENT CONC. PAVEMENT FOR DRIVEWAYS SYS	HMA FOR APPROACHES		COMPACTED AGGREGATE FOR BASE NO. 53		QC/QA HMA, MAINLINE				QC/QA HMA BASE 25.0mm, SHOULDERS #/SYS	SEAL COAT TYPE 2 SYS	SEAL COAT TYPE 5 SYS	ASPHALT MATERIAL FOR		COMPACTED AGGREGATE FOR SURFACE NO. 73 DEPTH		REMARKS		
						COMPACTED AGGREGATE BASE T	HMA FOR APPR. T	CONCRETE SYS				#/SYS	145#/SYS	DEPTH		QC/QA HMA SURFACE 9.5mm 165#/SYS	QC/QA HMA INTERMEDIATE 19.0mm 275#/SYS	QC/QA HMA BASE 25.0mm 330#/SYS	#/SYS				PRIME COAT SYS	TACK COAT SYS	6"	T			
														6"	8"														
						T	T	SYS				%	%	CUT CYS	FILL CYS	T	T	T	T				T	T	T	T		T	T
TOTALS																													

GUARDRAIL SUMMARY TABLE

LOCATION		V-BEAM GUARDRAIL LENGTH											CURVED W-BEAM GUARDRAIL SYSTEM								REMARKS											
FROM STATION	TO STATION	LEFT MEDIAN	LEFT MEDIAN	RIGHT MEDIAN	STANDARD POST AT 6'-3" SPA.	STANDARD POST AT 3'-1 1/2" SPA.	STANDARD POST AT 1'-6 3/4" SPA.	DOUBLE FACED AT 6'-3" SPA.	POST AT 6'-3" SPA.	POST AT 3'-1 1/2" SPA.	POST AT 1'-6 3/4" SPA.	SHOP CURVED AT _____ FT. SPA.	NESTED GUARDRAIL	GUARDRAIL FLARE RATE	GUARDRAIL TRANSITION TYPE TGB	GUARDRAIL TRANSITION TYPE WGB	GUARDRAIL TRANSITION TYPE GP	GUARDRAIL TRANSITION TYPE VH	GUARDRAIL END TREATMENT MS	GUARDRAIL END TREATMENT OS		GUARDRAIL END TREATMENT TYPE 1	TERMINAL SYSTEM		CONNECTOR SYSTEM		GUARDRAIL REMOVE FT.	GUARDRAIL RESET FT.				
																							FT.	FT.	FT.	FT.			FT.	FT.	FT.	FT.
TOTALS																																

STRUCTURE DATA

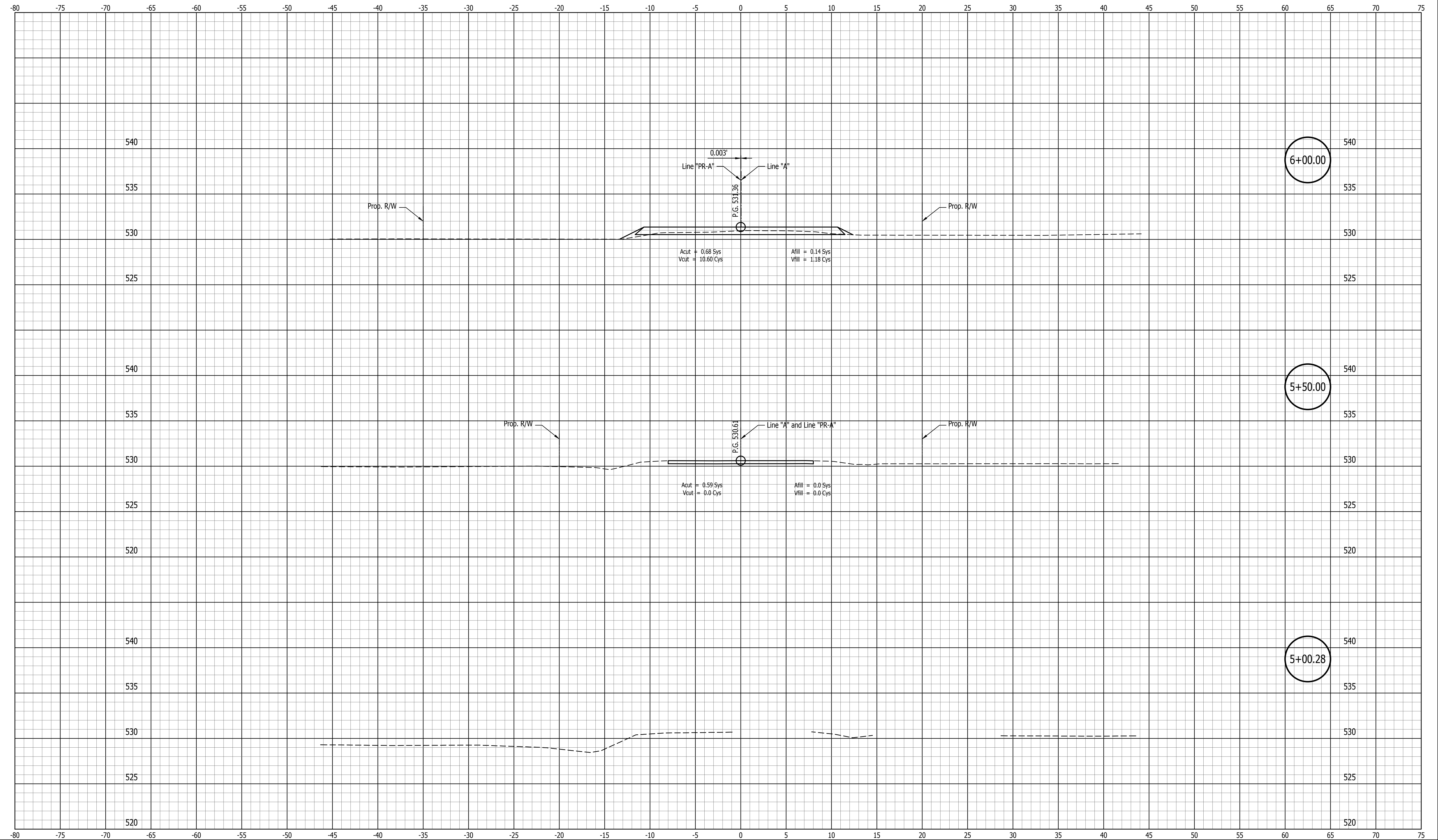
STRUCTURE NUMBER	LOCATION			DESCRIPTION		FLOW LINE					SERVICE LIFE YR.	SITE DESIGNATION	PH	"B" BORROW FOR STR. BACKFILL CYS	REINFORCEMENT RIPRAP T	CLASS 1 RIPRAP T	CLASS 2 RIPRAP T	CLASS "A" CONCRETE STRUCTURES CYS	SAFETY METAL END SECTION EA.	PIPE END SECTION EA.	GRATED BOX END SECTION TYPE	SLOPE	CONNECT TO STR.	REMARKS		
	STATION	LEFT	RIGHT	GROSS	SIZE IN.	PIPE TYPE	MANHOLE, INLET, OR SPECIALTY STRUCTURE	LENGTH FT.	SKEW	COVER															UP STREAM ELEV.	DOWN STREAM ELEV.
TOTALS																										

* IF SMOOTH INTERIOR PIPE USED
** IF CORRUGATED INTERIOR PIPE USED

PRINT DATE: 11/18/21 PLOT SCALE: 1:1 EDIT DATE: 5/10/18 9:40 AM EDITED BY: THUTTON DRAWING FILE: P11286 - JACKSON CO BRIDGE 154 DESIGN(DWG)BRIDGE154-RD SUMMARY.DWG

RECOMMENDED FOR APPROVAL _____	DESIGN ENGINEER _____ DATE _____	INDIANA DEPARTMENT OF TRANSPORTATION		HORIZONTAL SCALE NONE	BRIDGE FILE -
		ROAD SUMMARY		VERTICAL SCALE NONE	DESIGNATION 1703020
				SURVEY BOOK	SHEETS 10 of 14
				CONTRACT B-40895	PROJECT 1703020

CROSS SECTIONS
Scale: 1 inch = 5 feet



Acut = 0.68 Sys
Vcut = 10.60 Cys

Afill = 0.14 Sys
Vfill = 1.18 Cys

Acut = 0.59 Sys
Vcut = 0.0 Cys

Afill = 0.0 Sys
Vfill = 0.0 Cys

6+00.00

5+50.00

5+00.28

Last Saved By: T.Hilton
 Date: 11/18/2021
 Drawing File: I:\1386 - Jackson Co Bridge 1st Design\DWG\BRIDGE\002A-XSections.dwg

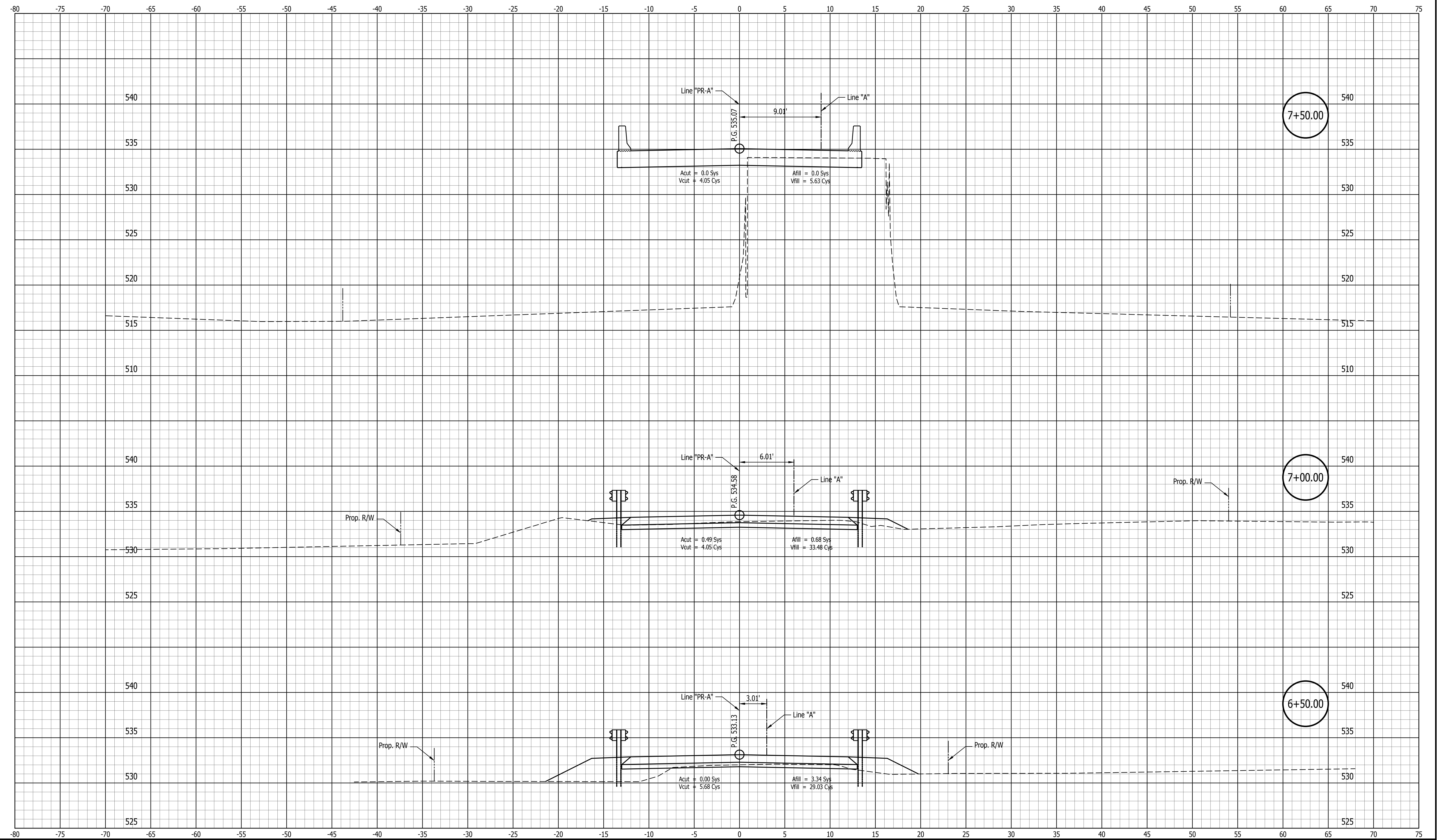
RECOMMENDED FOR APPROVAL: _____ DATE _____	
DESIGNED: ENG1	DRAWN: TEC
CHECKED: ENG	CHECKED: ENG1

INDIANA
DEPARTMENT OF TRANSPORTATION

CROSS SECTIONS

HORIZONTAL SCALE 1"=5'	FILE -
VERTICAL SCALE 1"=5'	DESIGNATION 1703020
SURVEY BOOK	SHEET 11 of 14
CONTRACT B-40895	PROJECT 1703020

CROSS SECTIONS
Scale: 1 inch = 5 feet



--	--	--	--	--	--	--	--

RECOMMENDED FOR APPROVAL: _____
DESIGN ENGINEER DATE

DESIGNED: ENG1 DRAWN: TEC

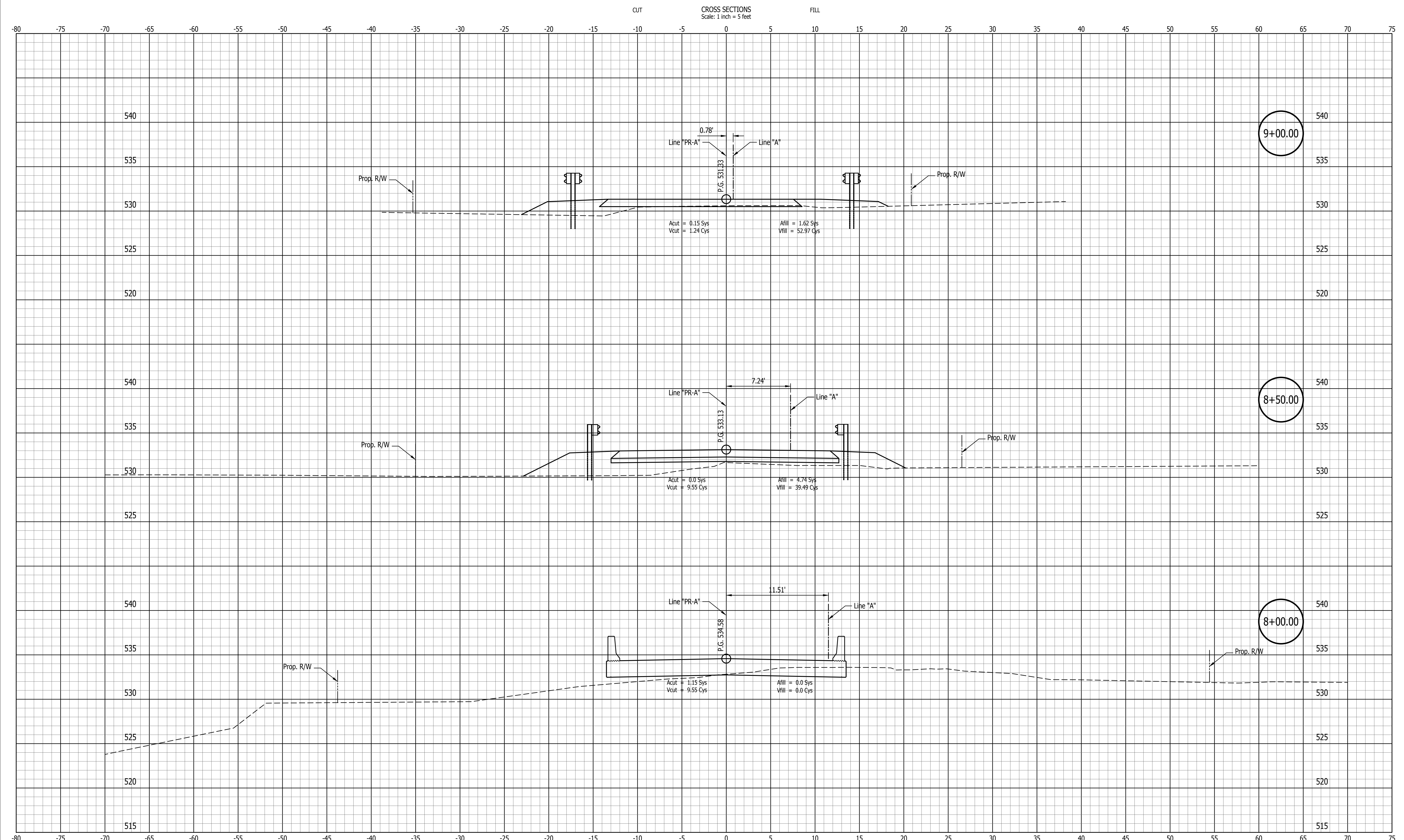
CHECKED: ENG CHECKED: ENG1

INDIANA
DEPARTMENT OF TRANSPORTATION

CROSS SECTIONS

HORIZONTAL SCALE 1"=5'	FILE -
VERTICAL SCALE 1"=5'	DESIGNATION 1703020
SURVEY BOOK	SHEET 12 of 14
CONTRACT B-40895	PROJECT 1703020

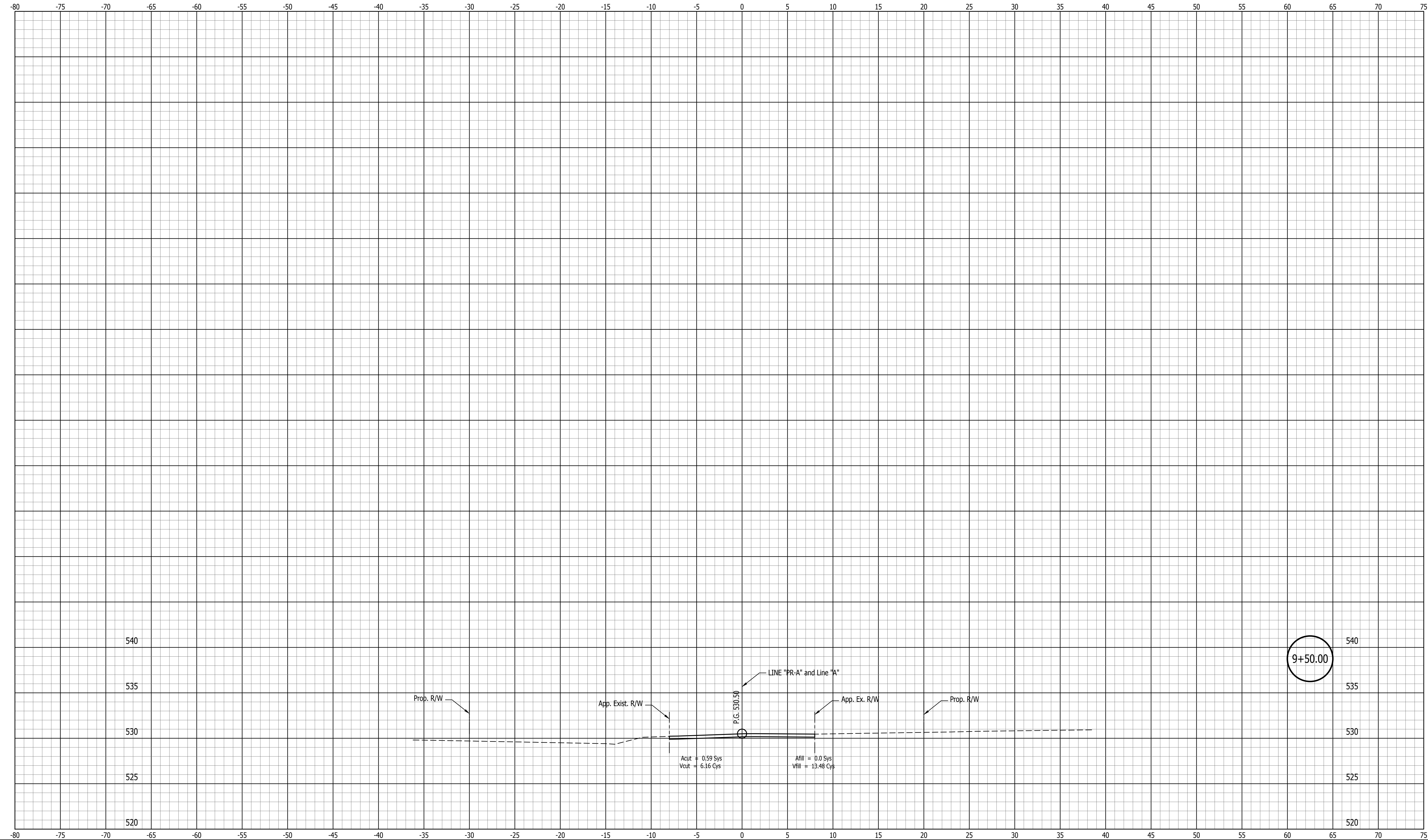
Lot: Saved By: T.Hilton
Date: 11/19/2021
C:\Users\T.Hilton\Documents\1703020-02A\CrossSections.dwg
Drawing Title: 1703020-02A



Last Saved By: T.Hilton
Date: 11/18/2021
Drawing Title: 1703020 - Jackson Co Bridge 1st Design (DWG) (BRIDGE) (02-02-21) XSections.dwg

						RECOMMENDED FOR APPROVAL: _____ DESIGN ENGINEER DATE		INDIANA DEPARTMENT OF TRANSPORTATION		HORIZONTAL SCALE 1"=5' VERTICAL SCALE 1"=5'	FILE - DESIGNATION 1703020
						DESIGNED: ENG1 DRAWN: TEC CHECKED: ENG CHECKED: ENG1		CROSS SECTIONS		SURVEY BOOK 13 of 14	SHEET PROJECT 1703020
								CONTRACT B-40895		PROJECT 1703020	

CROSS SECTIONS
Scale: 1 inch = 5 feet



Last Saved By: T.Hilton
 Date: 11/18/2021
 Scale: 1"=5'
 Drawing File: I:\1386 - Jackson Co Bridge 1st Design\DWG\BRIDGE\02A-XSections.dwg

--	--	--	--

RECOMMENDED FOR APPROVAL: _____ DESIGN ENGINEER DATE	
DESIGNED: ENG1	DRAWN: TEC
CHECKED: ENG	CHECKED: ENG1

INDIANA
DEPARTMENT OF TRANSPORTATION

CROSS SECTIONS

HORIZONTAL SCALE 1"=5'	FILE -
VERTICAL SCALE 1"=5'	DESIGNATION 1703020
SURVEY BOOK	SHEET 14 of 14
CONTRACT B-40895	PROJECT 1703020