

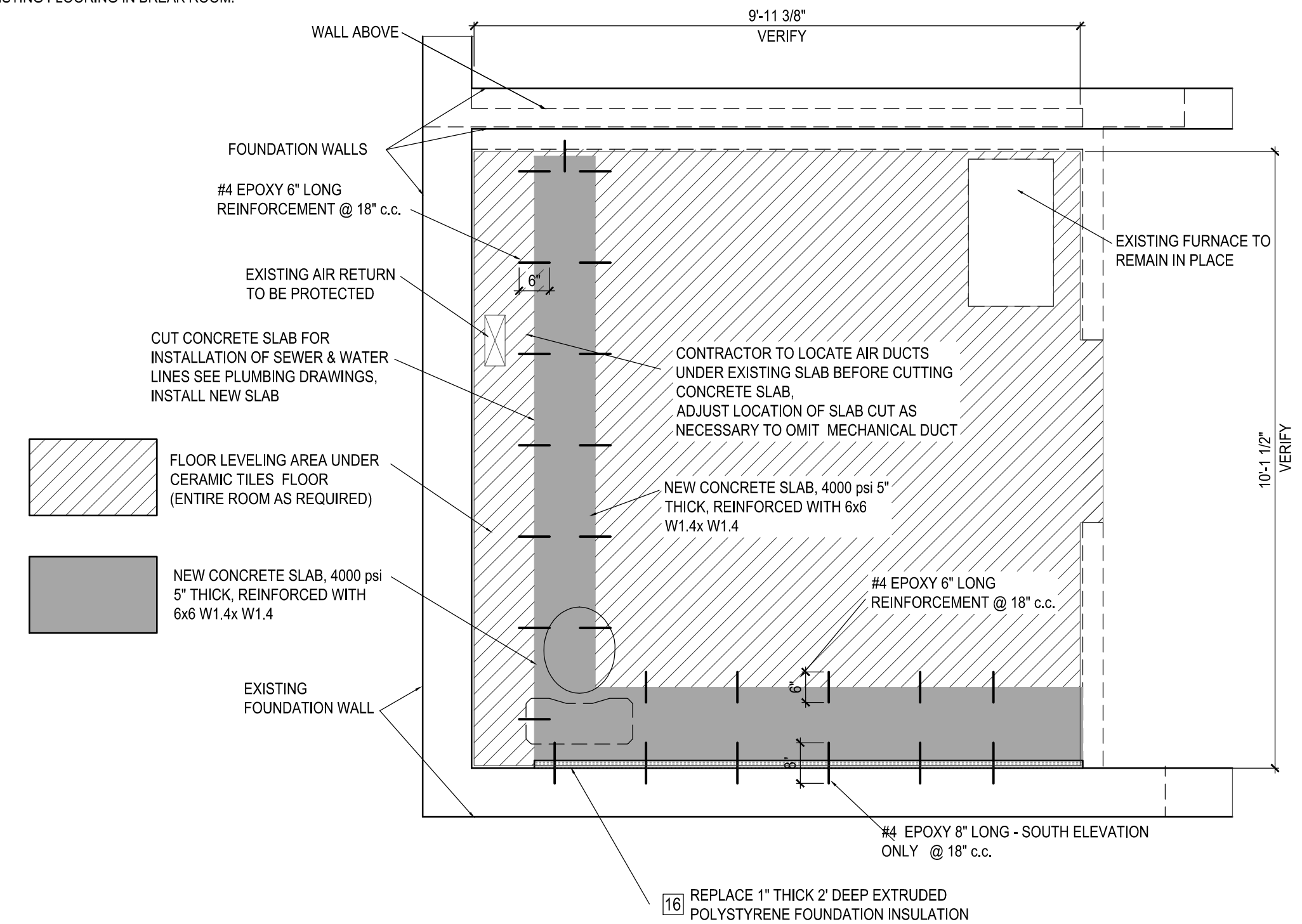
**PARTIAL FLOOR PLAN**  
BASE BID 1  
1/2" = 1'-0" A-2

**ACCESSORIES & EQUIPMENT**

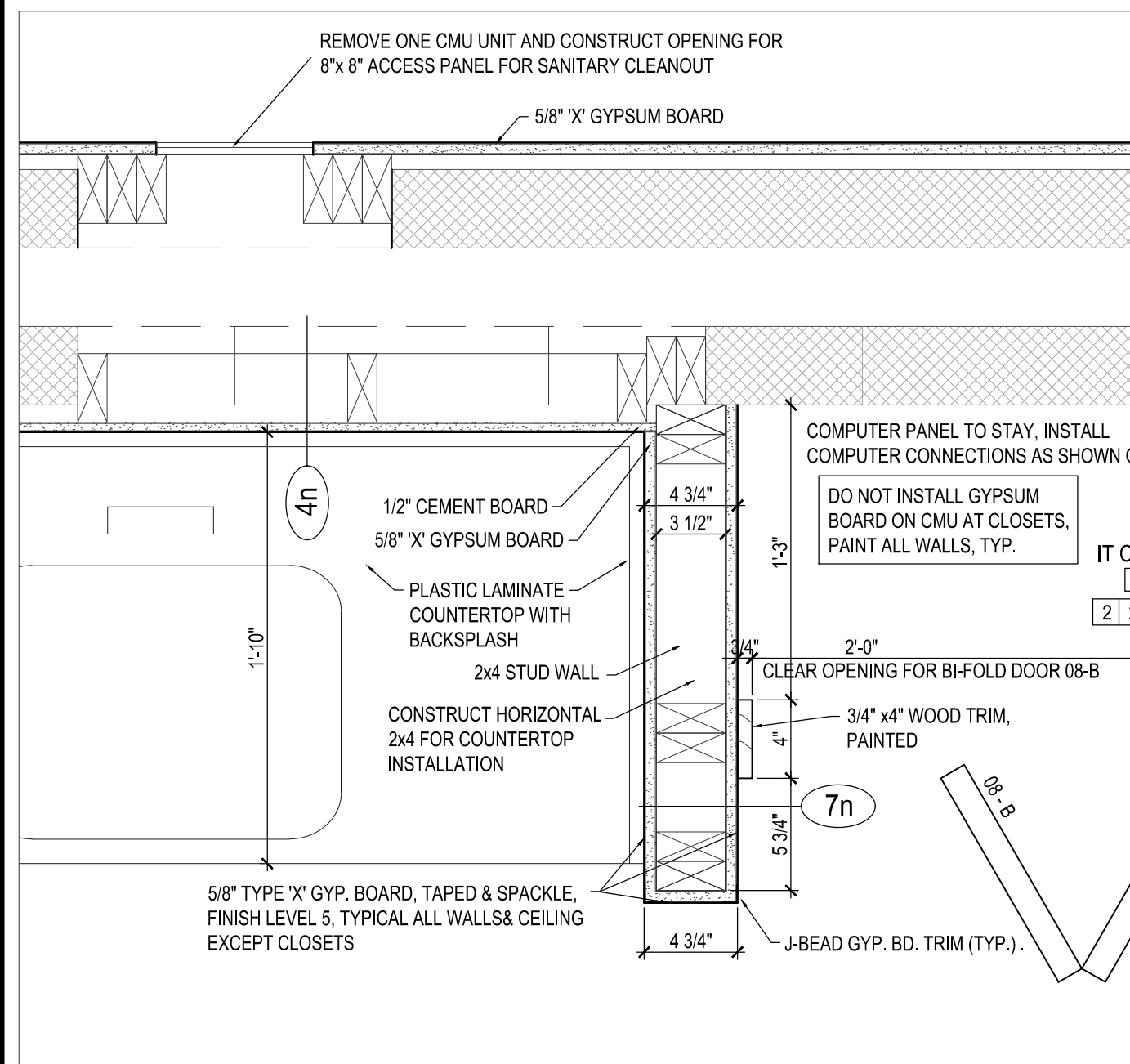
NOTE: PROVIDE WOOD BLOCKING AT ALL SURFACE MOUNTED ITEMS

- 1 WATER CLOSET: SEAT TOP MOUNTED AT 18" A.F.F.
- 2 LOCATION OF WATER CLOSET FLUSH CONTROLS
- 3 LAVATORY, MAXIMUM RIM HEIGHT AT 2'-10" A.F.F., SEE DWG P-1.
- 4 GRAB BAR: 36" LONG, MOUNT TOP AT 2'-9" A.F.F.
- 5 GRAB BAR: 42" LONG, MOUNT TOP AT 2'-9" A.F.F.
- 6 VERTICAL GRAB BAR: 18" LONG, MOUNT BTM AT 40" A.F.F.
- 7 TOILET TISSUE HOLDER: CENTER LINE MOUNTED FROM FINISH FLOOR AT 24", CENTER LINE (VERT.) LOCATED 8" IN FRONT OF WATER CLOSET.
- 8 MIRROR: REFLECTING SURFACE MOUNTED AT 40" MAX. A.F.F.
- 9 FULL SIZE MIRROR 18"x65" (BY OWNER) MOUNTED AT 8" A.F.F.
- 10 PLASTIC LAMINATE COUNTERTOP WITH 4" BACKSPLASH, REF. 5/A-4 AND 1/A-4.
- 11 GFCI RECEPTACLE, CENTER LINE LOCATED AT 42" A.F.F.
- 12 KITCHENETTE SINK RIM AT MAXIMUM 2'-10" A.F.F.
- 13 SERVICE SINK

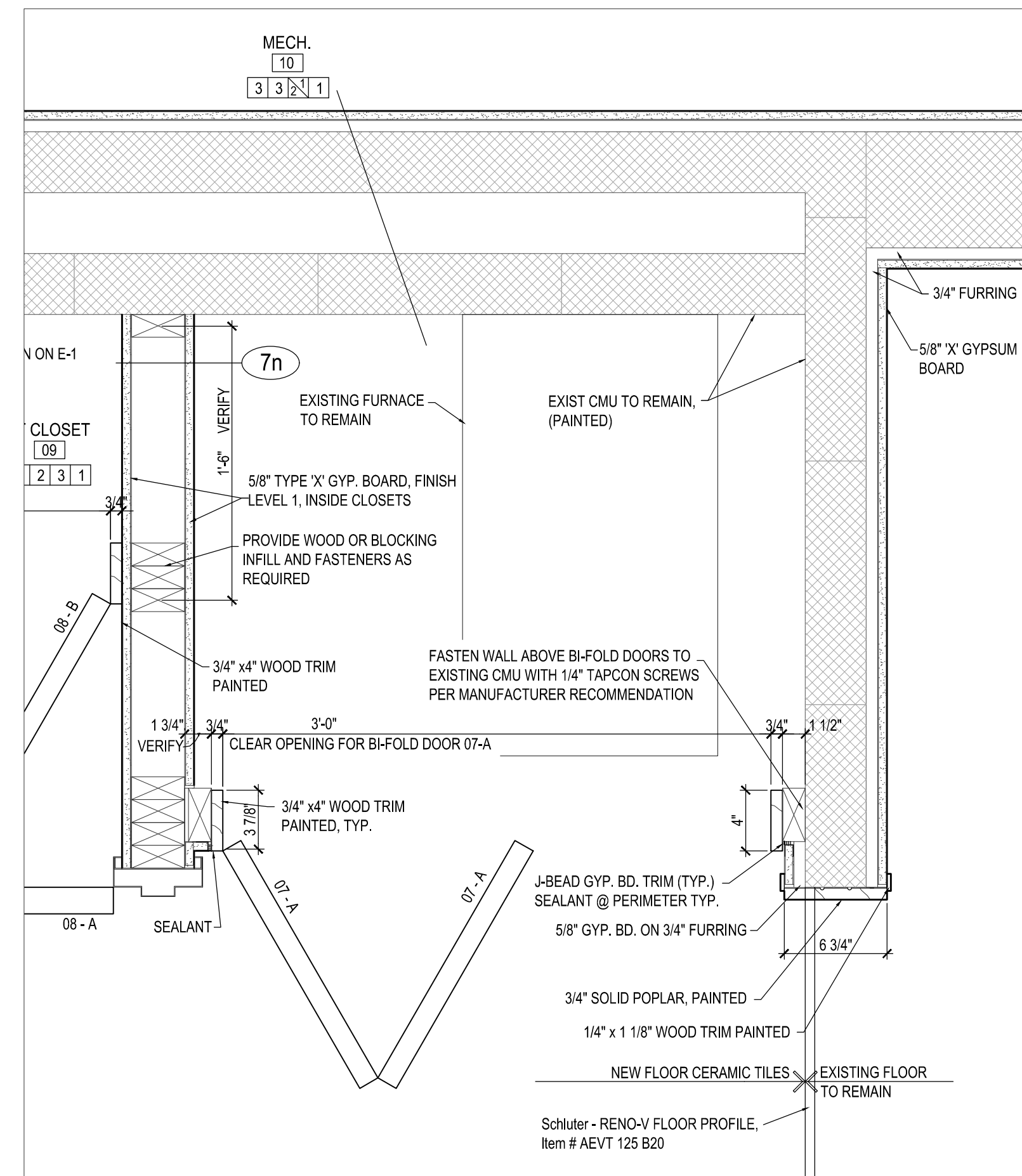
- NOTES:
1. INSTALL SEPARATION MATERIAL INTO DRILLED HOLES IN EXISTING SLAB / FOUNDATION WALL.
  2. INSTALL LEVELING MATERIAL IF NEEDED IN AREA SHOWN ON 2/A-2. CUT IN CLEAN LINE EXISTING FLOORING AT DOOR OPENING. TOP ELEVATION OF LEVELING MATERIAL AT DOOR OPENING SHALL BE MINIMUM LOWER 3/16" THAN ELEVATION OF EXISTING FLOORING IN BREAK ROOM.



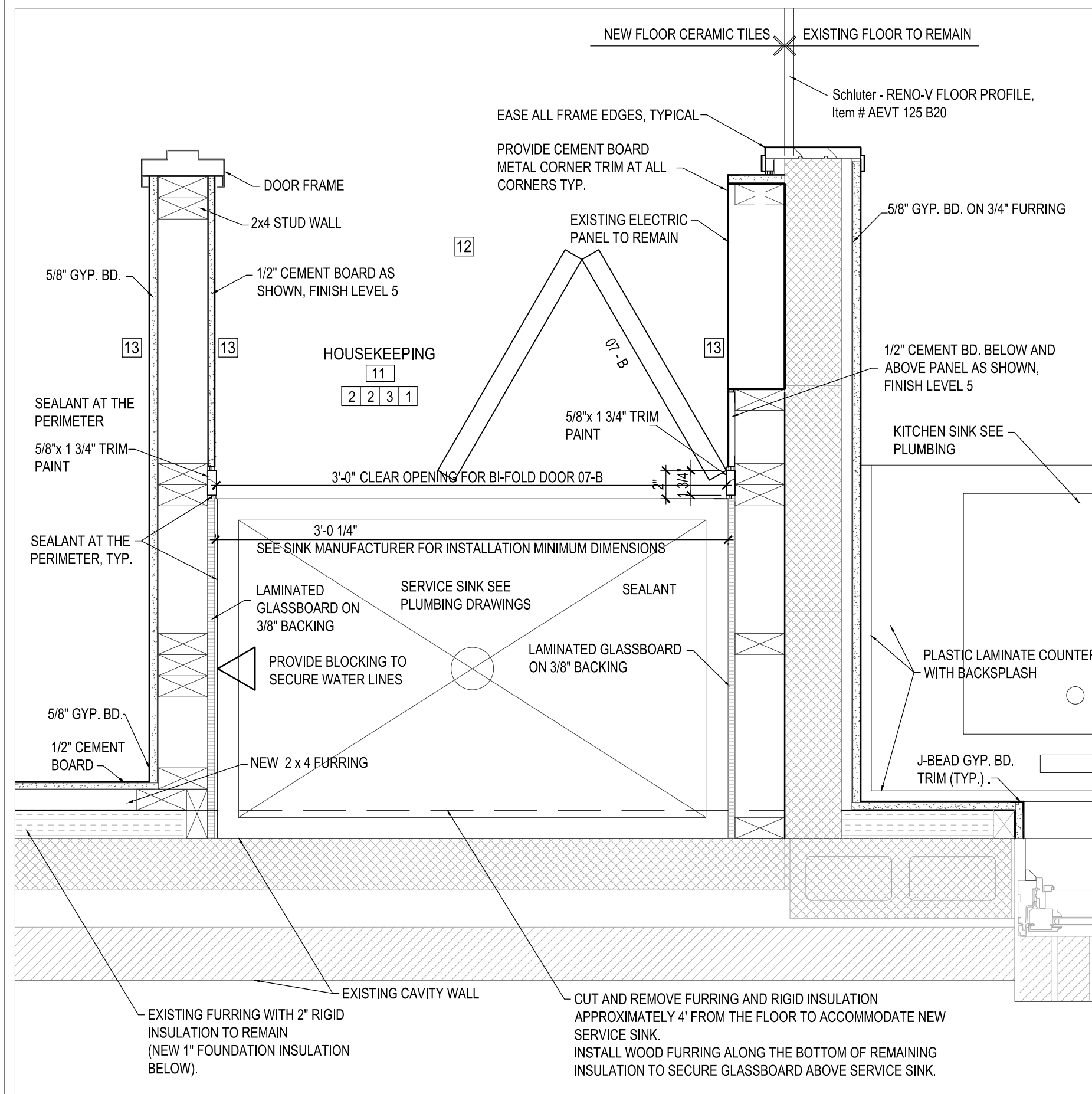
**PARTIAL FLOOR PLAN**  
BASE BID 2  
1/2" = 1'-0" A-2



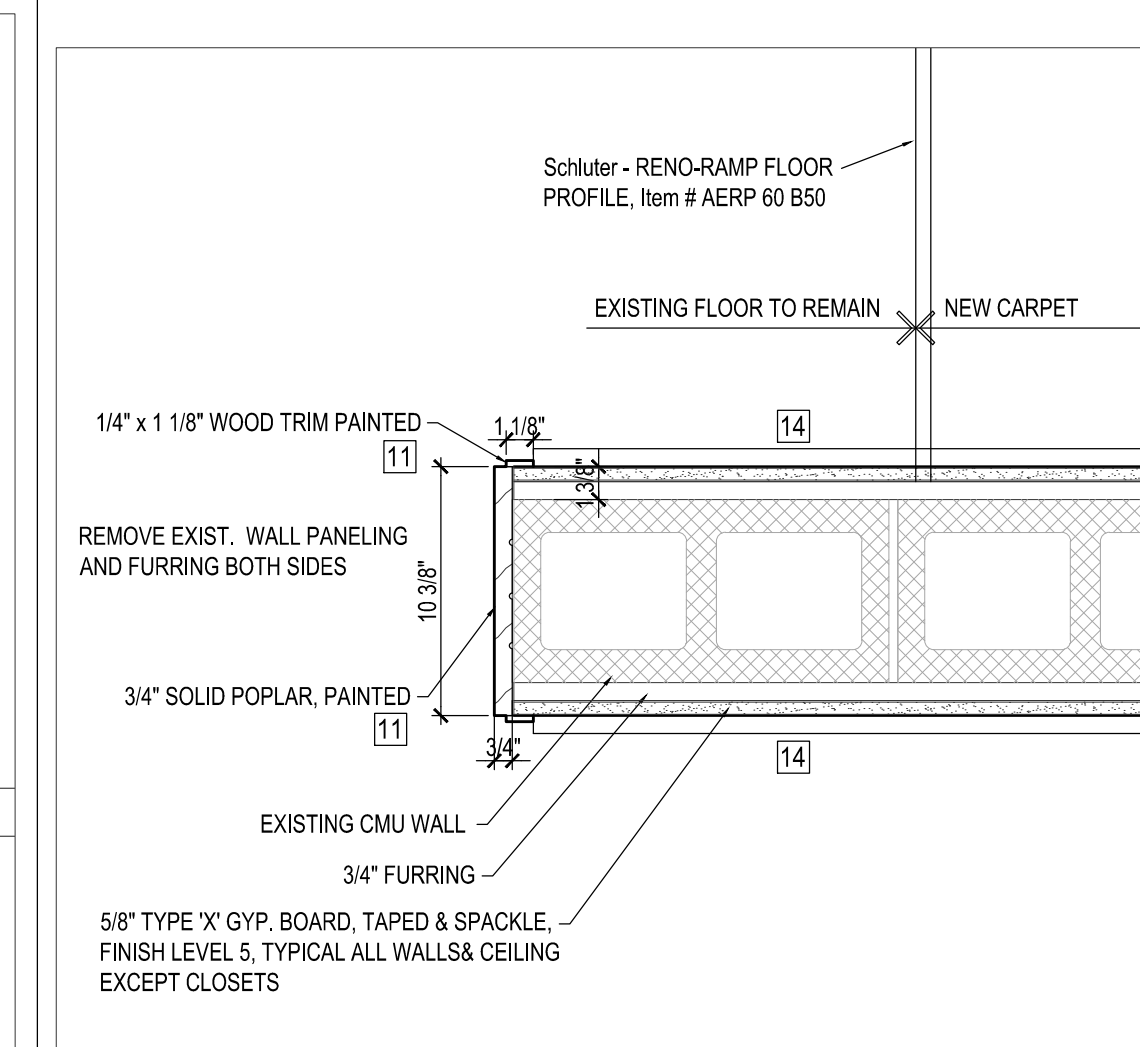
**DETAIL**  
1-1/2" = 1'-0" 3  
A-2



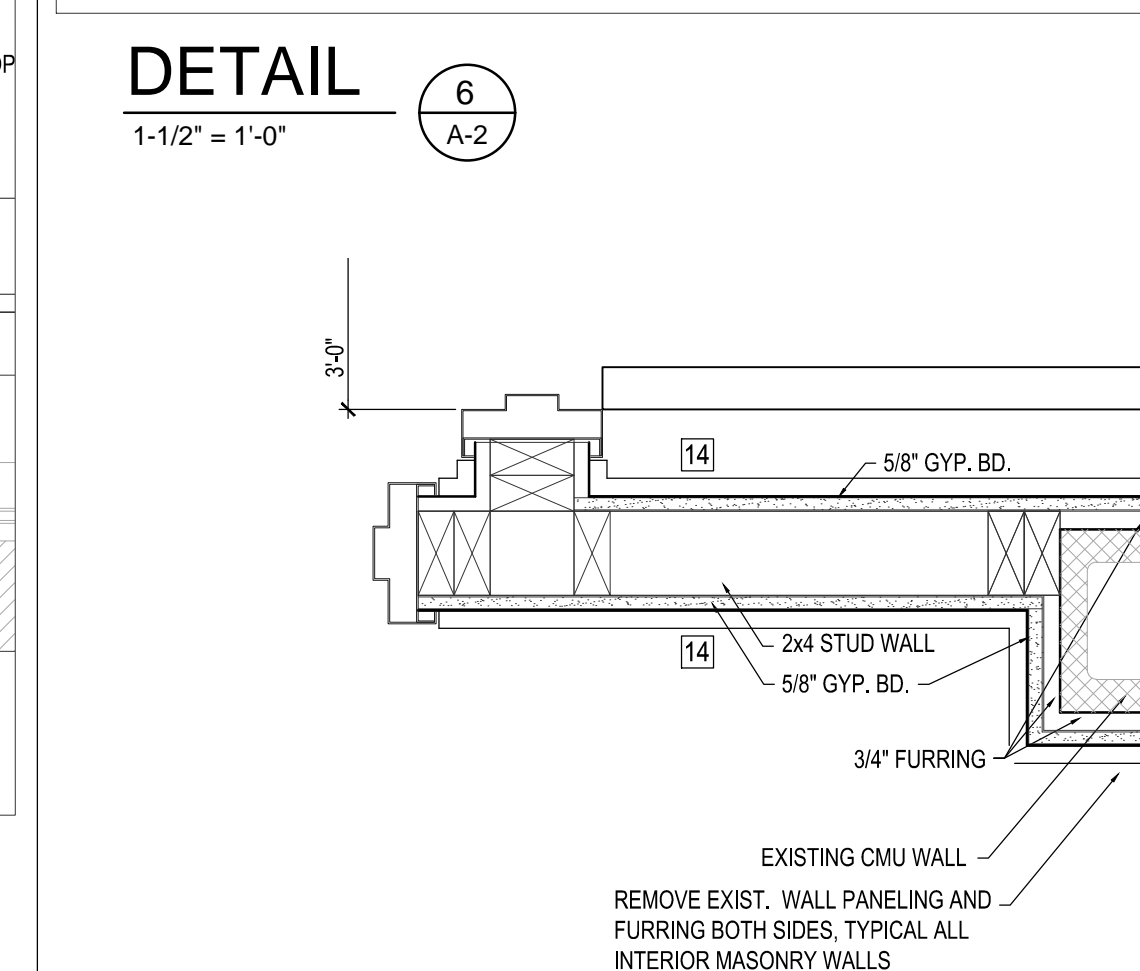
**DETAIL**  
1-1/2" = 1'-0" 4  
A-2



**DETAIL**  
1-1/2" = 1'-0" 5  
A-2



**DETAIL**  
1-1/2" = 1'-0" 6  
A-2



**DETAIL**  
1-1/2" = 1'-0" 7  
A-2

**GENERAL NOTE:**  
FOR CLARITY OF DRAWINGS WOOD BASE BOARD AND CERAMIC 4" BASE BOARD ARE NOT SHOWN IN EVERY LOCATION



Certified by:

**CROSLLEY FISH & WILDLIFE OFFICE**  
OFFICE REMODELING  
INDIANA DEPT. OF NATURAL RESOURCES  
2010 South State Road 3  
NORTH VERNON, IN 47265 - 7950



STATE OF INDIANA  
DEPARTMENT OF NATURAL RESOURCES  
**DIVISION OF ENGINEERING**  
ROOM W29, INDIANA GOVERNMENT CENTER SOUTH  
402 WEST WASHINGTON STREET  
INDIANAPOLIS, INDIANA 46204  
TEL 317-232-4150, FAX 317-233-1205

Project Number:	ENG1902899363
Requisition Number:	102570
Designer:	B.D., M.J.
Drawing Date:	04-29-2019
Drafter:	B.D.
Drawing Scale:	AS NOTED
DNR Approval:	
Client Approval:	
File Number:	092 - 027
Drawing Number:	A-2
Sheet:	of