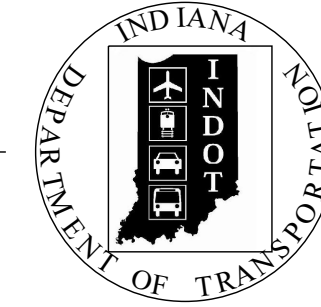


PROJECT	DESIGNATION
1901370	1901370
CONTRACT	BRIDGE FILE
R-42031	-----

INDIANA DEPARTMENT OF TRANSPORTATION

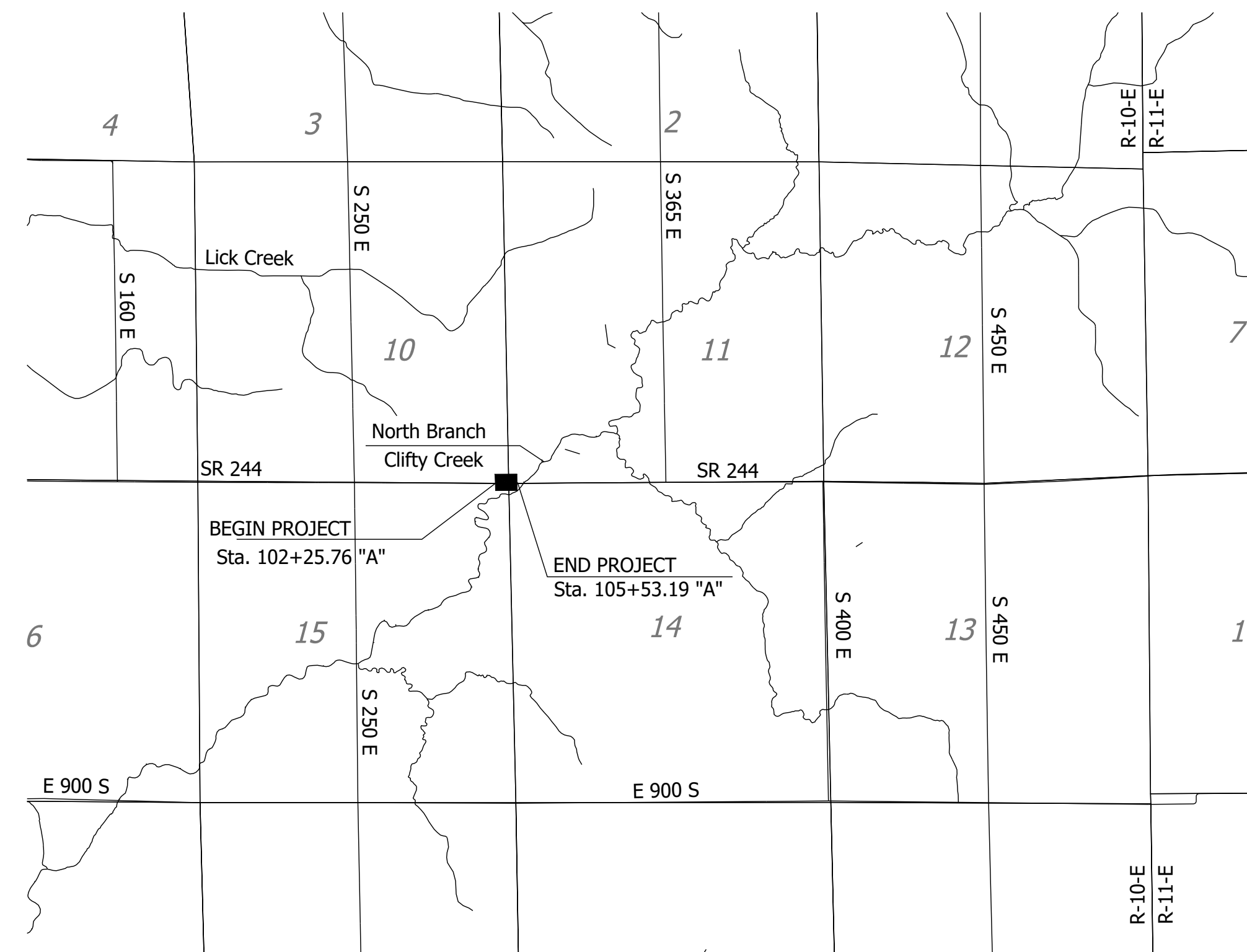


ROAD PLANS

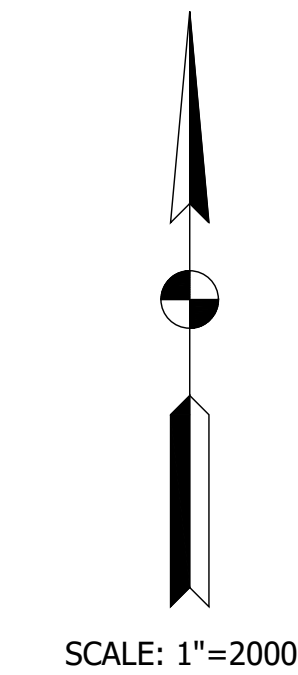
PROJECT NO. 1901370 P.E.
 PROJECT NO. ----- R/W
 PROJECT NO. ----- CONST.

ROUTE: SR 244 AT: RP 16+90

Slide Correction Located Along U.S. 244, Approximately 4.79 Miles East of S.R. 3, in Sections 10,11,14, and 15, T12N, R10E in Richland TWP, Rush County Indiana.



LOCATION MAP



SCALE: 1"=2000'

A.A.D.T.	2020	1308	V.P.D.
A.A.D.T.	2040	1427	V.P.D.
D.H.V	2040	142	V.P.H.
DIRECTIONAL DISTRIBUTION		49/51	%
TRUCKS		8.37	A.A.D.T.
		7.75	D.H.V.

DESIGN SPEED	55	M.P.H.
PROJECT DESIGN CRITERIA	3R	(Non-Freeway)
FUNCTIONAL CLASSIFICATION		State Collector
RURAL/URBAN		Rural
TERRAIN		Level
ACCESS CONTROL		None



LATITUDE: 39°29'50" N LONGITUDE: 85°23'10" N

BRIDGE LENGTH:	N/A	MI.
ROADWAY LENGTH:	0.062	MI.
TOTAL LENGTH:	0.062	MI.
MAX. GRADE:	2.19	%
H.U.C. 14	05120206010030	

PFC PLANS
03/31/21

INDIANA DEPARTMENT OF TRANSPORTATION
STANDARD SPECIFICATIONS DATED 2020
TO BE USED WITH THESE PLANS

Date: Mar 17, 2021, 1:36pm User Name: sstrinegar File: S:_2018\218-0062\104\Road\CAD\Misc\DWG\Title Sheet.dwg

Plans Prepared By:
LOCHMUELLER GROUP
 6200 Vogel Road
 Evansville, Indiana 47715
 Phone: 812.479.6200
 Toll Free: 800.423.7411

SOIL CONSULTANTS
 EARTH EXPLORATION, INC
 7770 WEST NEW YORK STREET
 INDIANAPOLIS, INDIANA 46214

PLANS PREPARED BY: ----- (---)-----
 PHONE NUMBER
 CERTIFIED BY: ----- --/--
 DATE
 APPROVED FOR LETTING: -----
 INDIANA DEPARTMENT OF TRANSPORTATION DATE

BRIDGE FILE	
DESIGNATION	1901370
SURVEY BOOK	SHEET
1	of --
CONTRACT	PROJECT
R-42031	1901370

UTILITIES

ELECTRIC DISTRIBUTION

DUKE ENERGY
 100 S. Mill Creek Road
 Noblesville, IN 46062
 Contact: Cindy Rowland
 Phone: 317-776-5341
 Email: cindy.rowland@duke-energy.com

COMMUNICATIONS

FRONTIER
 1191 Rich Road
 Richmond, IN 47374
 Contact: Rick Ferris
 Phone: 740-513-9496
 Email: rick.ferris@ftr.com



GENERAL NOTES

INDEX

SHEET NO.	DRAWINGS INDEX
1	TITLE
2	INDEX
3-4	TYPICAL SECTIONS
5	PLAT NO. 1
6	MAINTENANCE OF TRAFFIC
7	PLAN AND PROFILE
8-10	CROSS SECTIONS

REVISIONS

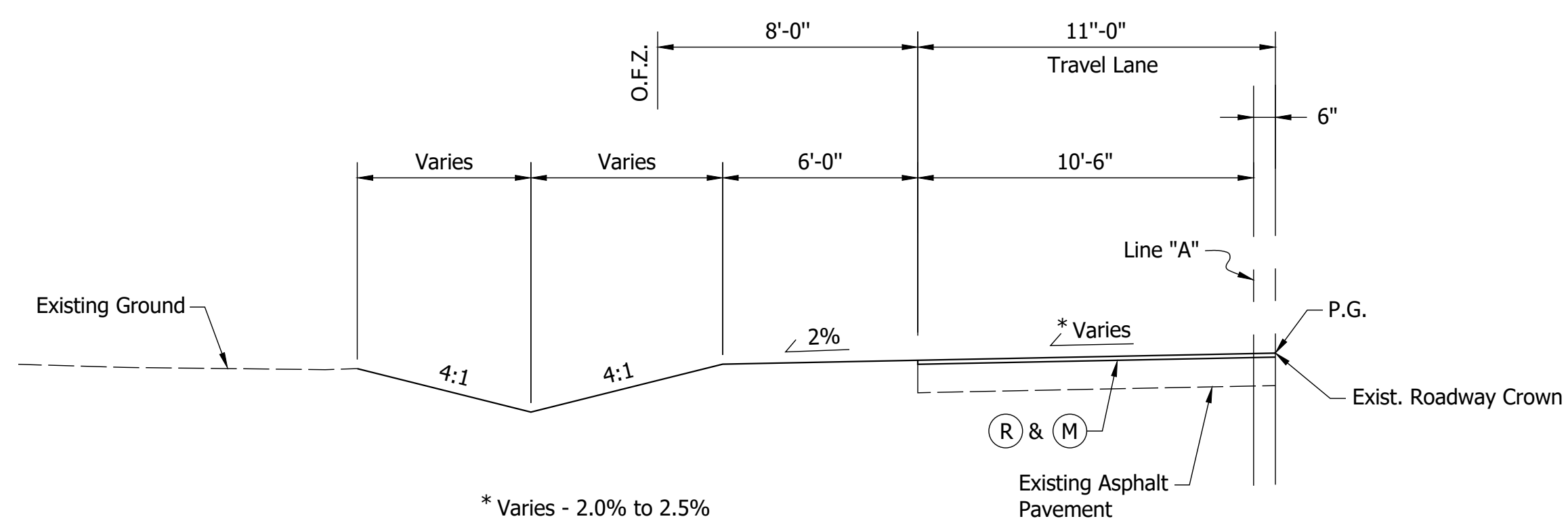
SHEET NO.	DATE	REVISED

RECOMMENDED FOR APPROVAL _____ DESIGN ENGINEER	_____/_____/_____ DATE
DESIGNED: _____ NAW	DRAWN: _____ CCW
CHECKED: _____ JAW	CHECKED: _____ NAW

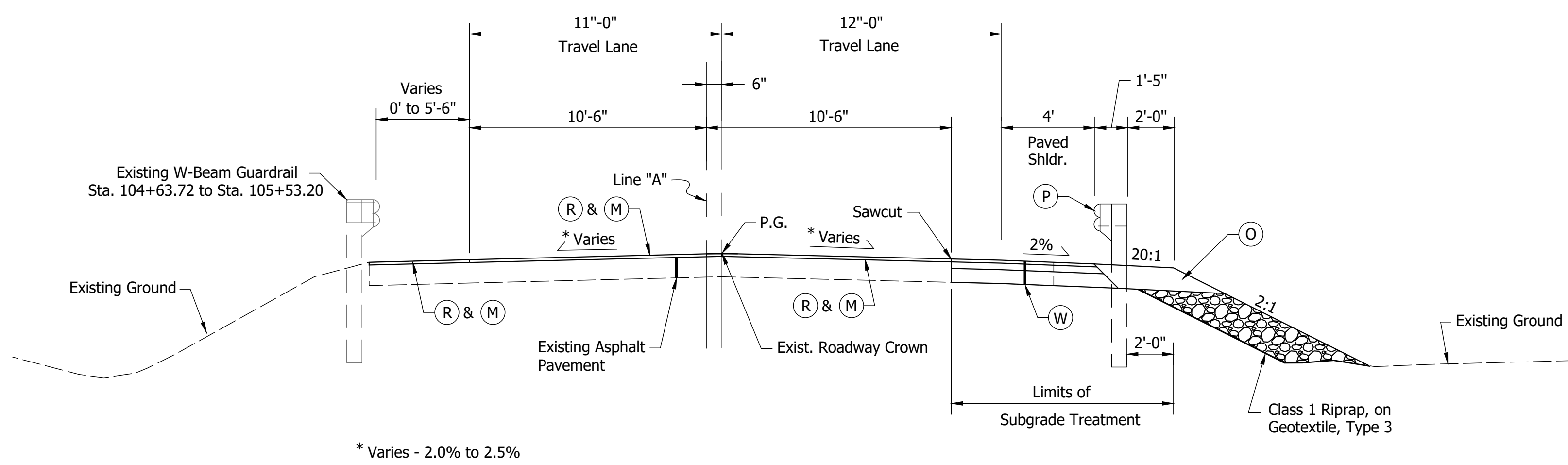
**INDIANA
DEPARTMENT OF TRANSPORTATION**

INDEX SHEET

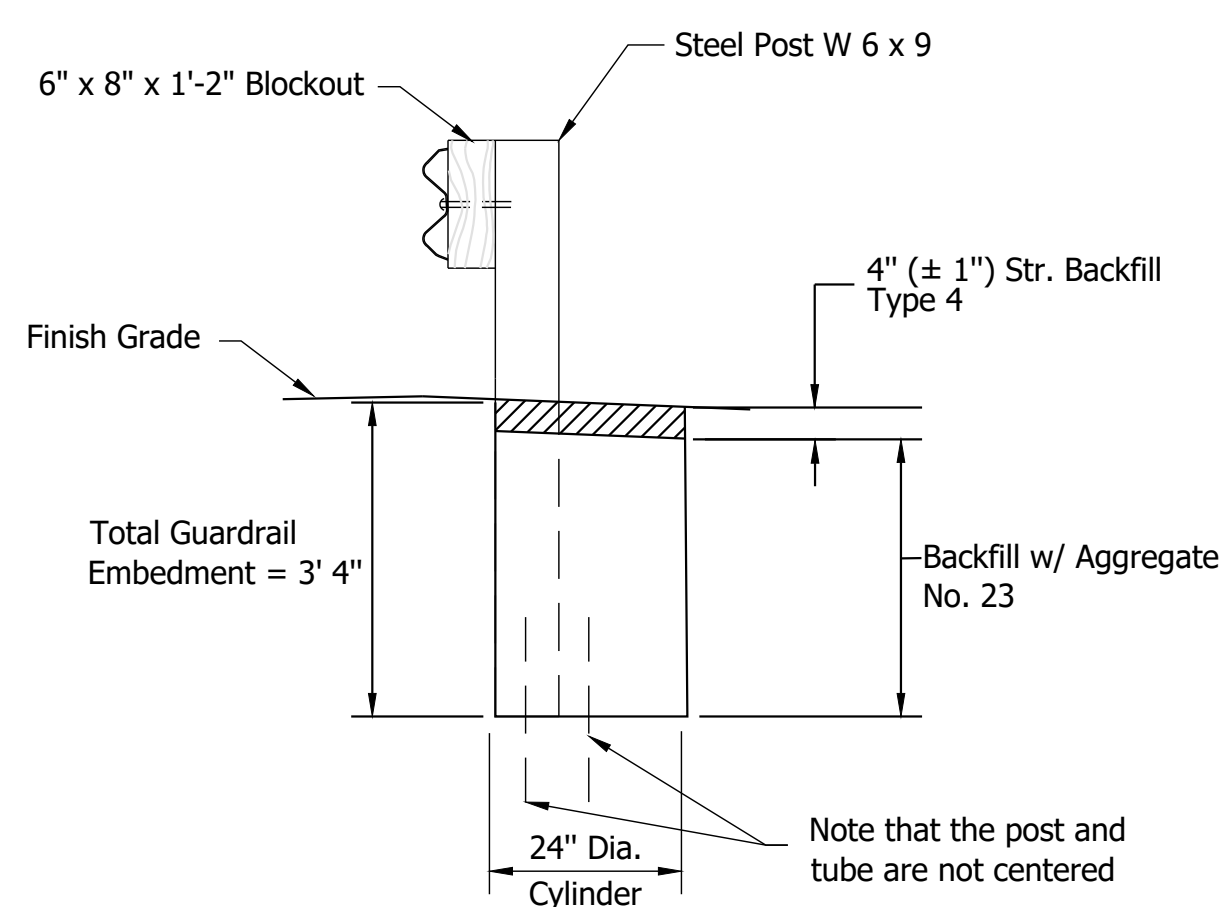
HORIZONTAL SCALE	BRIDGE FILE
---	-
VERTICAL SCALE	DESIGNATION
---	1901370
SURVEY BOOK	SHEET
	2 of --
CONTRACT	PROJECT
R-42031	1901370



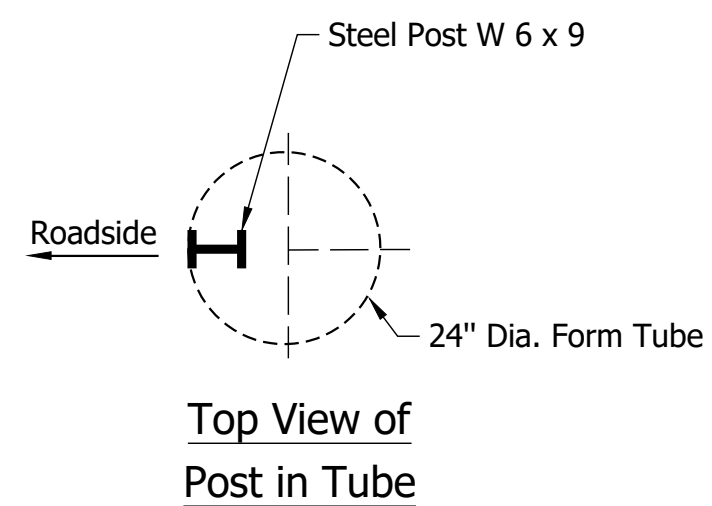
AUXILIARY DITCH SECTION
Sta. 103+60.00 to 104+50.00 Lt.



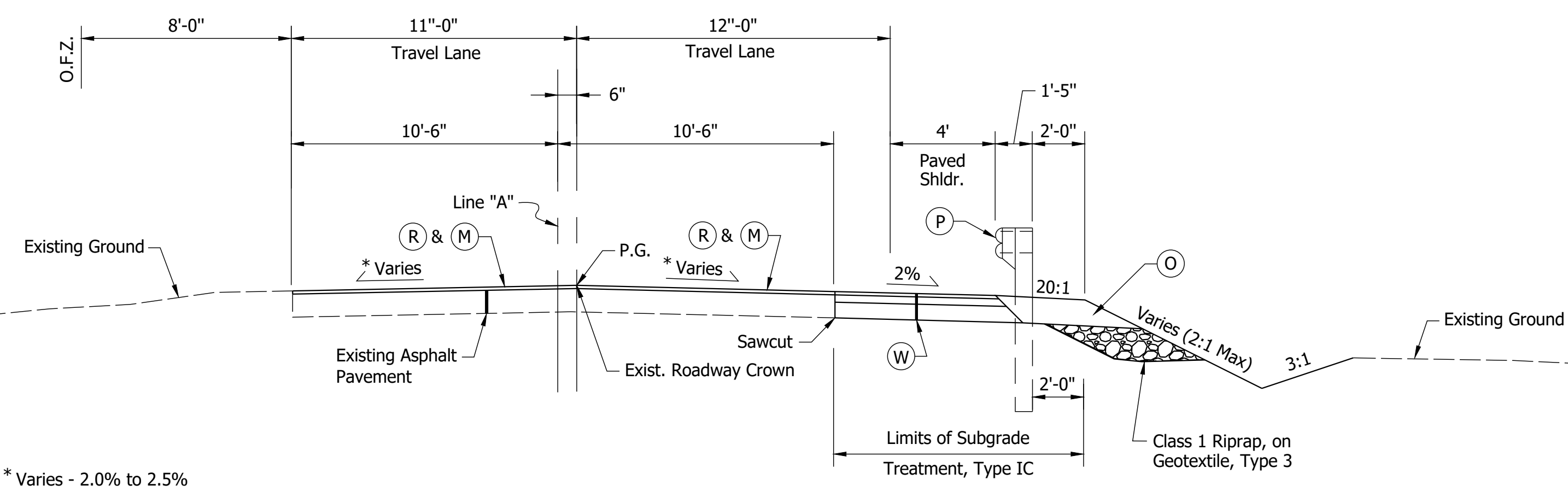
TYPICAL SECTION
Sta. 103+60.00 to 105+53.20



Guardrail Typical
Sta. 102+70 to Sta. 103+60



Top View of Post in Tube



TYPICAL SECTION
Sta. 102+25.76 to 102+70.00

- LEGEND**
- (K) Full Depth HMA Pavement Subgrade Treatment Type IC
 - (M) Milling, Asphalt, 1.5"
 - (O) Compacted Aggregate No. 53, 12"
 - (P) Guardrail, MGS, W-Beam
 - (R) 165#/SYS QC/QA-HMA Surface (Min.)
 - (W) Widening With HMA - Type B, on Subgrade Treatment Type IC
 - (28) Compacted Aggregate No. 5, 6"
 - (29) Compacted Aggregate No. 2, 8"
 - O.F.Z. Obstruction Free Zone

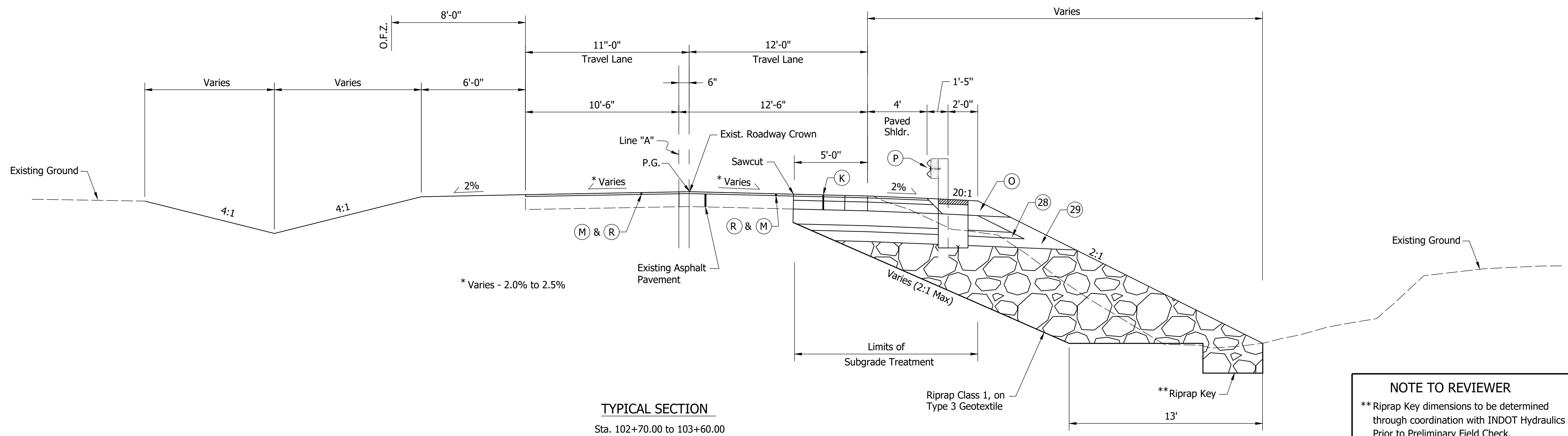
Date: Mar 17, 2021, 1:57pm, User: Mmsc - 4/1/2021, File: S:_2018\218-0621\01\Road\CD\1\MSCD\1\Typical Sections.dwg

RECOMMENDED FOR APPROVAL	DESIGN ENGINEER	DATE
DESIGNED: NAW	DRAWN: SMB	
CHECKED: JAW	CHECKED: NAW	

INDIANA DEPARTMENT OF TRANSPORTATION

TYPICAL CROSS SECTION LINE "A"

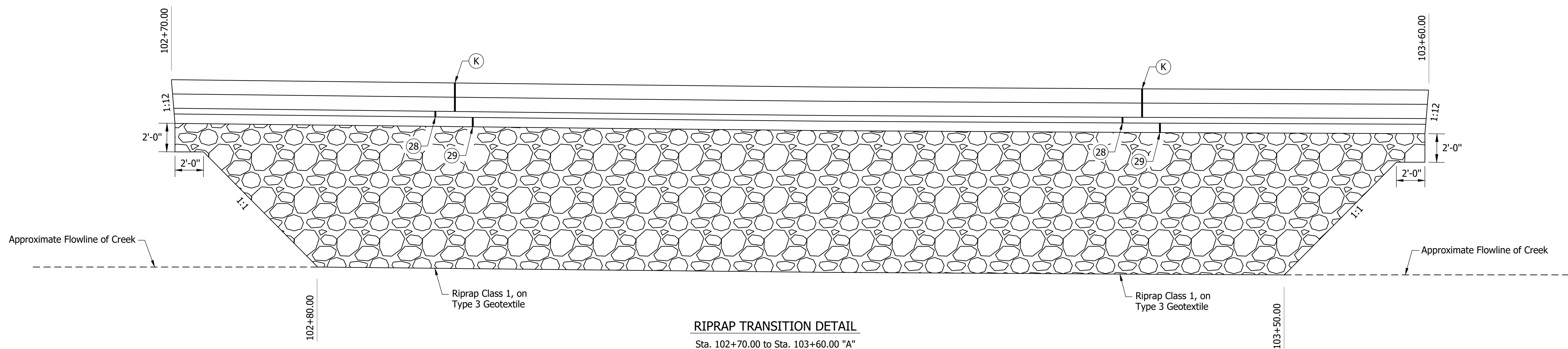
HORIZONTAL SCALE	BRIDGE FILE
1/4"=1'-0"	-
VERTICAL SCALE	DESIGNATION
---	1901370
SURVEY BOOK	SHEETS
	3 of --
CONTRACT	PROJECT
R-42031	1901370



- LEGEND**
- (K) Full Depth HMA Pavement Subgrade Treatment Type IC
 - (M) Milling, Asphalt, 1.5"
 - (O) Compacted Aggregate No. 53, 12"
 - (P) Guardrail, MGS, W-Beam
 - (R) 165#/SYS QC/QA-HMA Surface (Min.)
 - (W) Widening With HMA - Type B, on Subgrade Treatment Type IC
 - (28) Compacted Aggregate No. 5, 6"
 - (29) Compacted Aggregate No. 2, 8"
 - O.F.Z. Obstruction Free Zone

NOTE TO REVIEWER
 ** Riprap Key dimensions to be determined through coordination with INDOT Hydraulics Prior to Preliminary Field Check.

TYPICAL SECTION
 Sta. 102+70.00 to 103+60.00



RIPRAP TRANSITION DETAIL
 Sta. 102+70.00 to Sta. 103+60.00 "A"

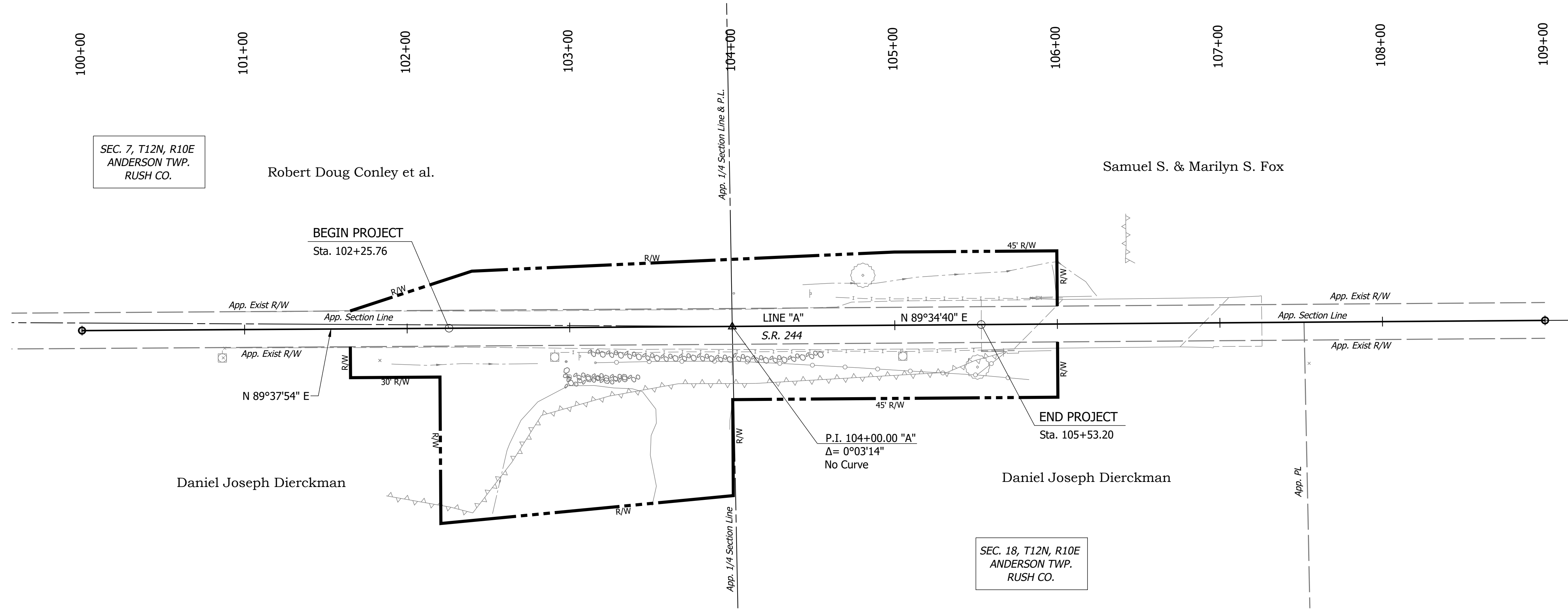
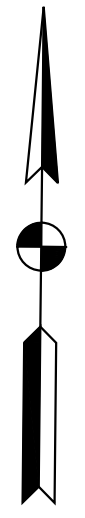
Date: Mar 17, 2021, 1:40pm, User: Mmsc - 4/1/2021
 File: S:\L_2018\218-062\101\Road\CD\1\MSCD\1\Typical Sections.dwg

RECOMMENDED FOR APPROVAL	DESIGN ENGINEER	DATE
DESIGNED: NAW	DRAWN: SMB	
CHECKED: JAW	CHECKED: NAW	

INDIANA
DEPARTMENT OF TRANSPORTATION

TYPICAL CROSS SECTION
LINE "A"

HORIZONTAL SCALE	BRIDGE FILE
1/4"=1'-0"	-
VERTICAL SCALE	DESIGNATION
---	1901370
SURVEY BOOK	SHEETS
	4 of --
CONTRACT	PROJECT
R-42031	1901370



Date: Mar 17, 2021, 1:41pm User Name: sbvnsagar
 File: S:_2018\18-0062\10H\Road\CAD\Misc\DWG\Plat 1.dwg

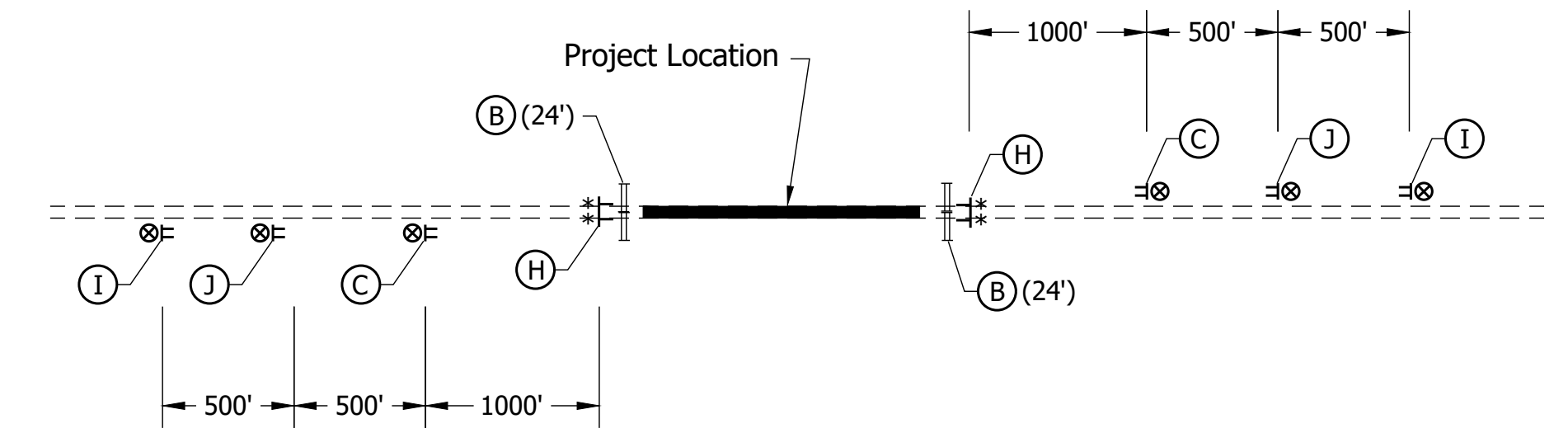
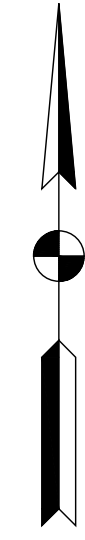
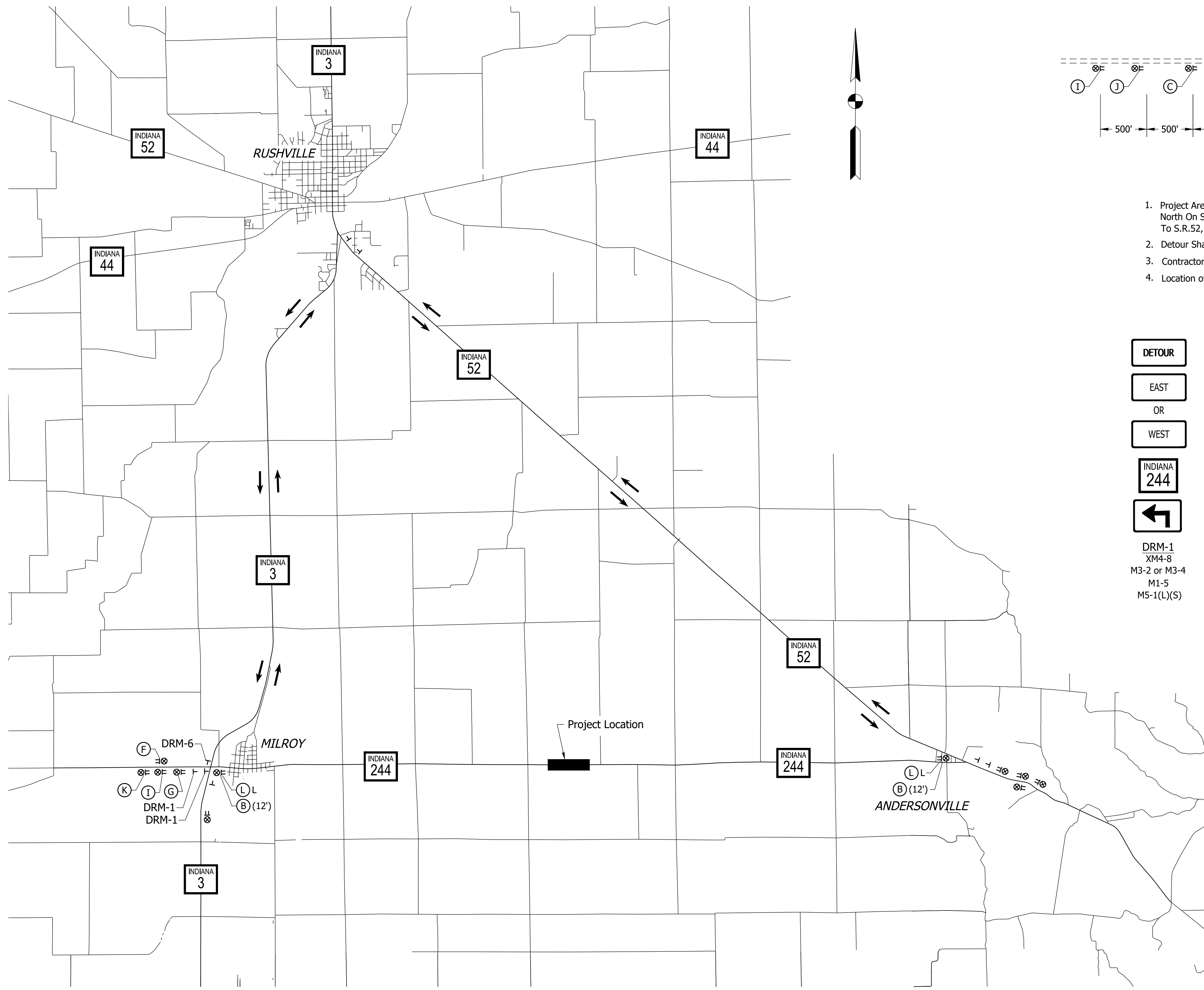
RECOMMENDED FOR APPROVAL	DESIGN ENGINEER	DATE
DESIGNED: NAW	DRAWN: CCW	
CHECKED: JAW	CHECKED: NAW	

INDIANA
DEPARTMENT OF TRANSPORTATION

PLAT NO. 1

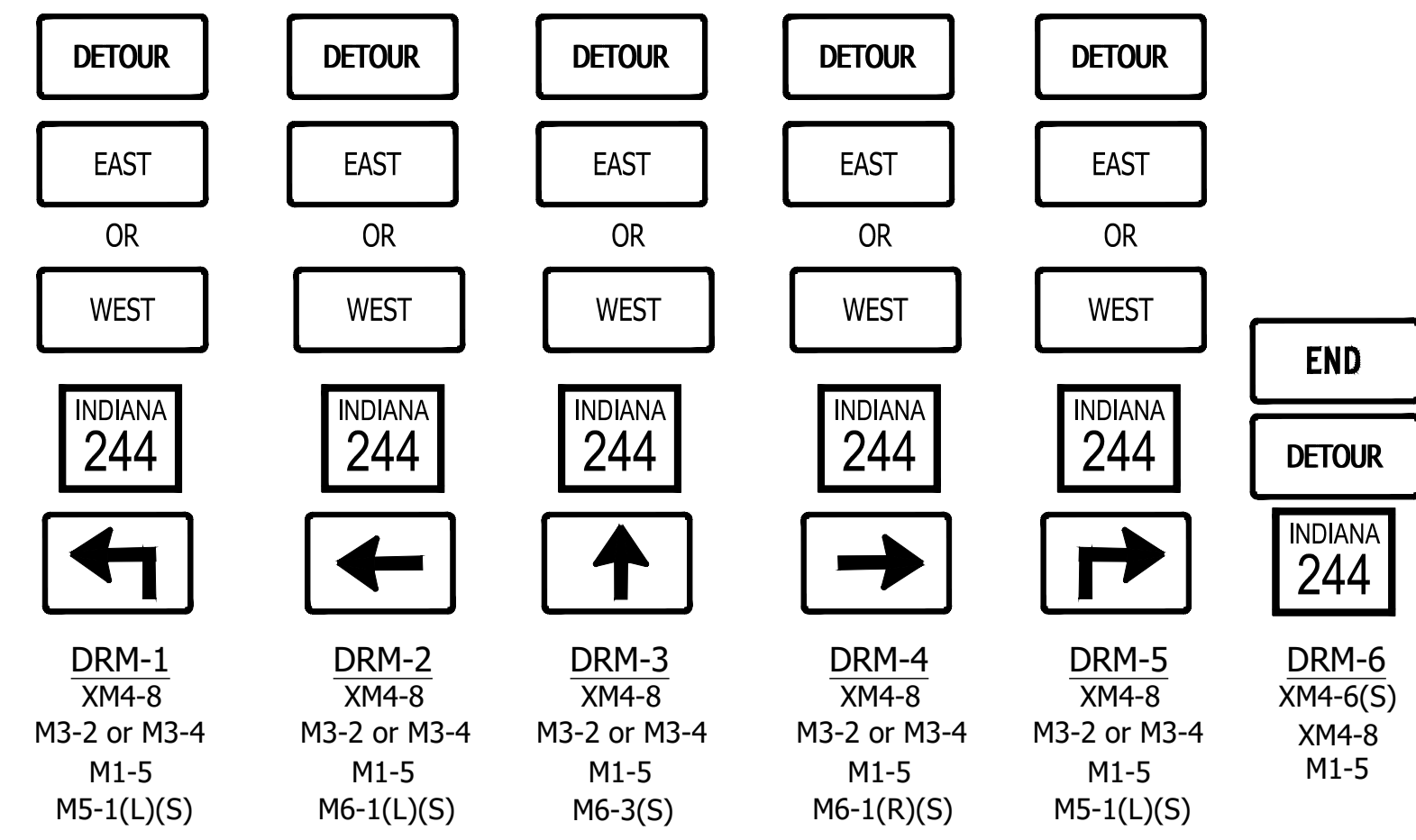
HORIZONTAL SCALE	BRIDGE FILE
1"=40'	-
VERTICAL SCALE	DESIGNATION
---	1901370
SURVEY BOOK	SHEET
	5 of --
CONTRACT	PROJECT
R-42031	1901370

Date: Mar 17, 2021, 1:42pm User Name: sbr/negar
 File: S:_2018\18-0062\10H\Road\CAD\DOT\Detour.dwg



Detour

1. Project Area Along S.R.244 Shall Be Closed To Thru Traffic. Detour Westbound Thru Traffic North On S.R.52 To S.R.3, South On S.R.3 To S.R.244. Detour Eastbound Traffic North On S.R.3 To S.R.52, South On S.R.52 To S.R.244.
2. Detour Shall Remain In Place Throughout Construction.
3. Contractor Shall Maintain Temporary Access To All Properties During Construction.
4. Location of Signs Are Approximate & Shall Be Field Verified By Contractor.

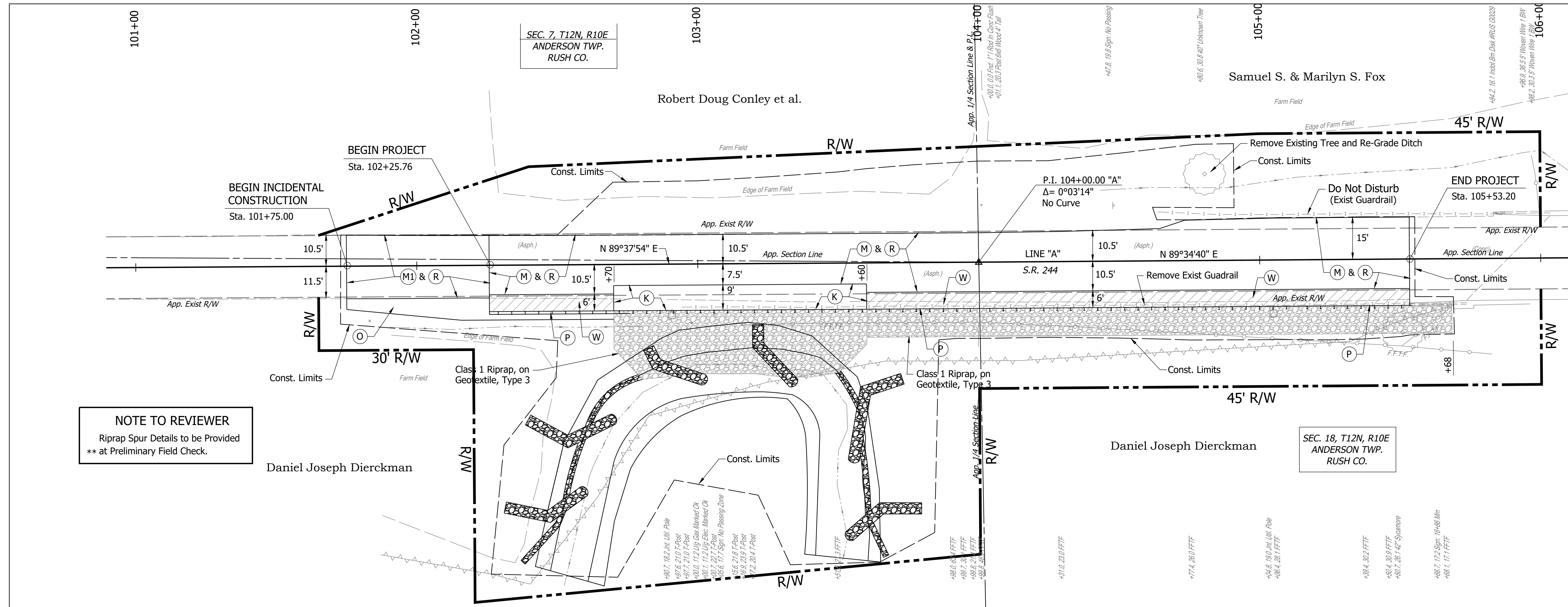


- Legend**
- (B) Std. Barricade, Type III-B (Feet Req'd.)
 - (C) Construction Sign A, XG20-3 (Road Closed 1000 Feet.)
 - (D) Road Closure Sign Assembly; R11-3 (Road Closed xx Miles Ahead)
 - (E) Construction Sign A, XG20-2 (End Construction)
 - (G) Construction Sign A, XW20-2 (Detour Ahead)
 - (H) Road Closure Sign Assembly; R11-2 (Road Closed)
 - (I) Construction Sign A, XG20-3 (Road Closed Ahead)
 - (J) Construction Sign A, XG20-3 (Road Closed 1500 Feet)
 - (K) Construction Sign, A, XW2-6-A (Worksite Penalty)
 - (L) Road Closure Sign Assembly; R11-3 (Road Closed X.X Miles Ahead) w/ M4-10 (L or R) (Detour Arrow)
 - T Detour Route Marker
 - TT Construction Sign
 - ⊗ Construction Warning Light, A
 - ** Construction Warning Light, B
 - ▬ Std. Barricade
 - Work Area
 - Detour Route

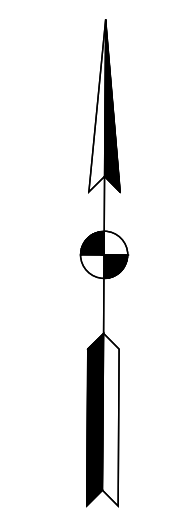
RECOMMENDED FOR APPROVAL	DESIGN ENGINEER	DATE
DESIGNED: NAW	DRAWN: CCW	
CHECKED: JAW	CHECKED: NAW	

INDIANA DEPARTMENT OF TRANSPORTATION
MAINTENANCE OF TRAFFIC DETOUR

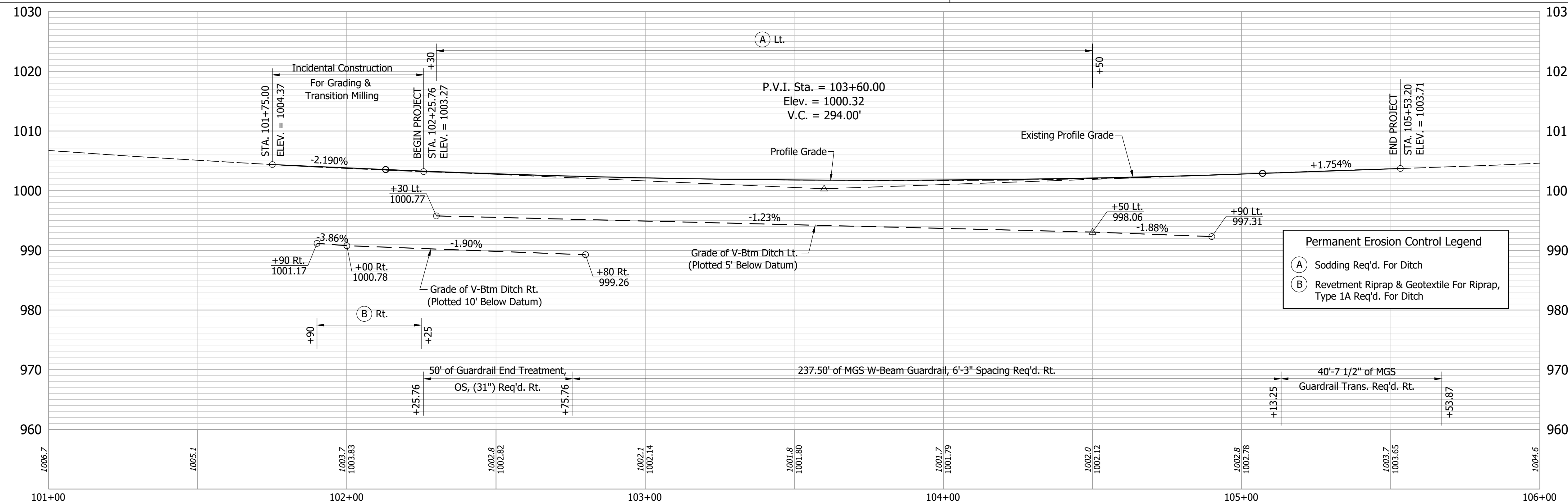
HORIZONTAL SCALE	BRIDGE FILE
1"=400'	-
VERTICAL SCALE	DESIGNATION
---	1901370
SURVEY BOOK	SHEET
	6 of --
CONTRACT	PROJECT
R-42031	1901370



NOTE TO REVIEWER
Riprap Spur Details to be Provided
** at Preliminary Field Check.



- LEGEND**
- (K) Full Depth HMA Pavement
 - (M) Milling, Asphalt, 1.5"
 - (M1) Milling, Transition
 - (O) Compacted Aggregate No. 53, 12"
 - (P) Guardrail, MGS, W-Beam
 - (R) 165#/SYS QC/QA-HMA Surface (Min.)
 - (W) Widening With HMA - Type B, on Subgrade Treatment Type IC



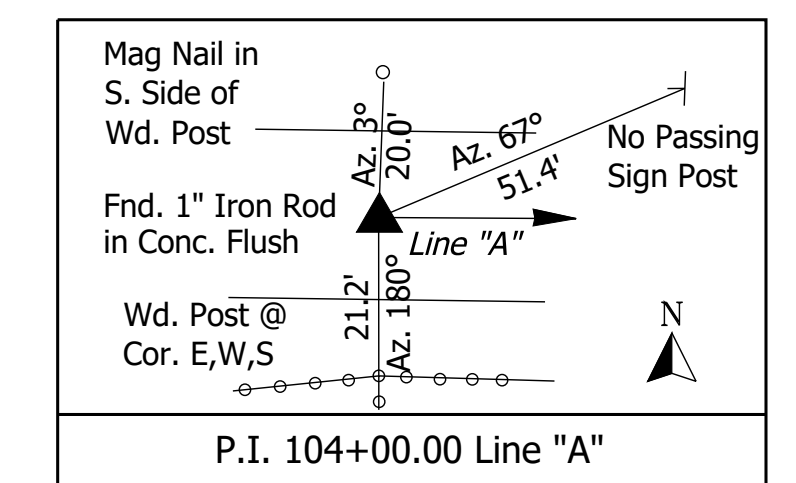
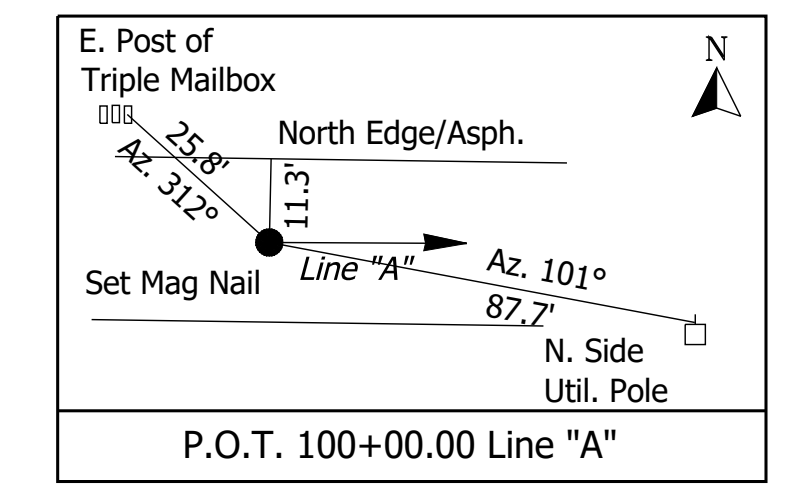
Permanent Erosion Control Legend

- (A) Sodding Req'd. For Ditch
- (B) Revetment Riprap & Geotextile For Riprap, Type 1A Req'd. For Ditch

BM #200 N 262921.2 E 861533.2 Elev. 1007.24
RR Spike in E. Side of Joint Utility Pole.
17.5' Rt. of Sta. 100+87.0 Line "A"

INDOT BM #G-0029 N 262958.2 E 862030.2 Elev. 1007.06
Std. INDOT Disk in Top of N. Parapet Wall at West End
16.1' Lt. of Sta. 105+84.2 Line "A"

BM #201 N 262918.0 E 862201.2 Elev. 1007.45
RR Spike in NE Side of Joint Utility Pole
25.3' Rt. of Sta. 107+54.9 Line "A"



Date: Mar 17, 2021, 1:44pm User Name: sbrinegar
File: S:_2018\218-0062\10H\Road\CD\Plan & Profile.dwg

RECOMMENDED FOR APPROVAL	DESIGN ENGINEER	DATE
DESIGNED: NAW	DRAWN: CCW	
CHECKED: JAW	CHECKED: NAW	

INDIANA DEPARTMENT OF TRANSPORTATION

PLAN & PROFILE LINE "A"

HORIZONTAL SCALE	BRIDGE FILE
1"=20'	-
VERTICAL SCALE	DESIGNATION
1"=10'	1901370
SURVEY BOOK	SHEET
	7 of --
CONTRACT	PROJECT
R-42031	1901370